

ECONOCADE

TYPE I & TYPE II BARRICADE

Economical,
All Plastic Alternative
to Steel Leg Barricades



- One piece solid construction
- Easy to handle, pack, and transport
- Rust free and impact resistant
- Bottom rail can carry a sand bag
- Two flashing light mounting receptacles
- Available in white, custom colors available
- NCHRP-350 Accepted, Meets MUTCD Standards

Signs or names can be stenciled
directly on the barricade

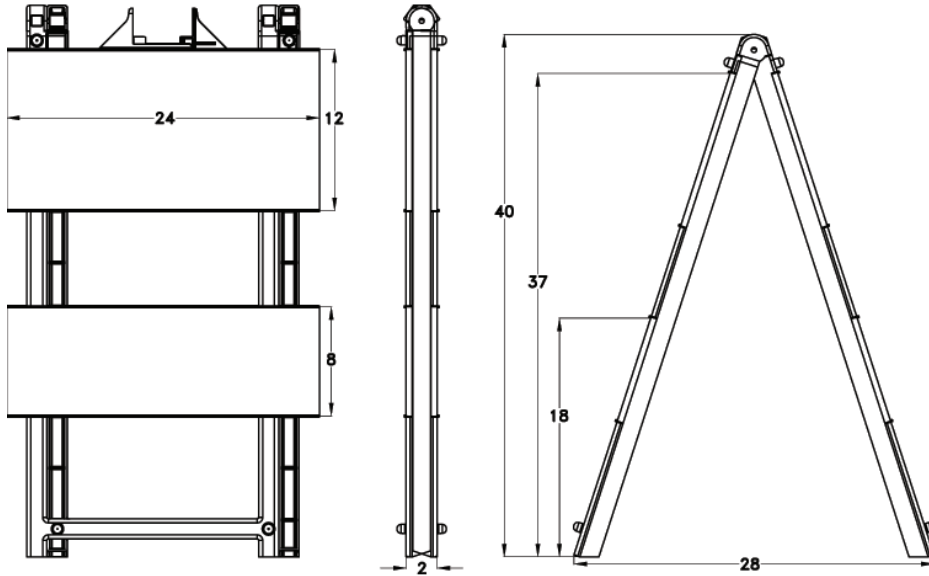


PLASTICADE®

Plasticade.com

ECONOCADE®

TYPE I & TYPE II BARRICADE



Specs

Composition	High Density Polyethylene
Dimensions	42.6"H x 24.4"W
Color	White
Weight	13.2 lbs.
Reflective Sheeting	Available in all grades in white and orange



PLASTICADE®

100 Howard Avenue
Des Plaines, IL 60018
phone (800) 772-0355
fax (847) 966-8074

Plasticade.com

MADE IN THE USA