

COMBOCADE[™]

TYPE I AND TYPE II BARRICADE

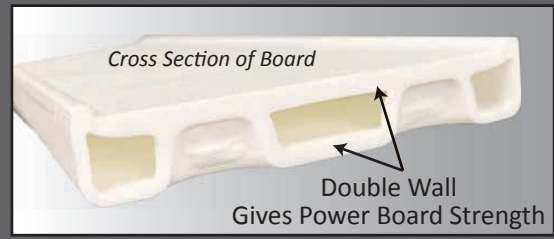
Steel leg barricade
with plastic boards

**NEW
50%
STRONGER
BOARDS**



New Plastic Power[™] Boards Eliminate Broken Boards 50% Stronger

- New double wall boards are extremely durable
 - stronger and more robust
 - boards hold their shape, won't crack under weight of a sandbag
 - new strong, reinforced bolt/riev holes
- Combocade's replaceable components save you money!
 - boards can be easily replaced
 - holes are molded in, just punch them out to replace board
 - legs can be replaced or repaired
- Standard 45" steel legs, 14 gauge thickness
 - galvanized finish for corrosion protection
- Boards available in 24"W x (12"H, 8"H, or 6"H)
- NCHRP-350 Accepted, Meets MUTCD Standards

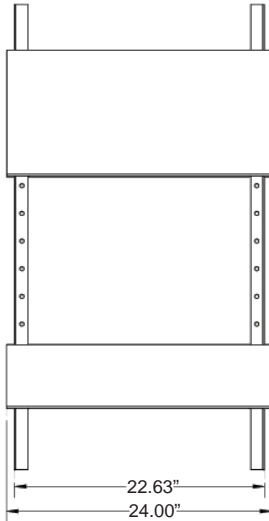


Power[™] Boards Eliminate Broken Boards!

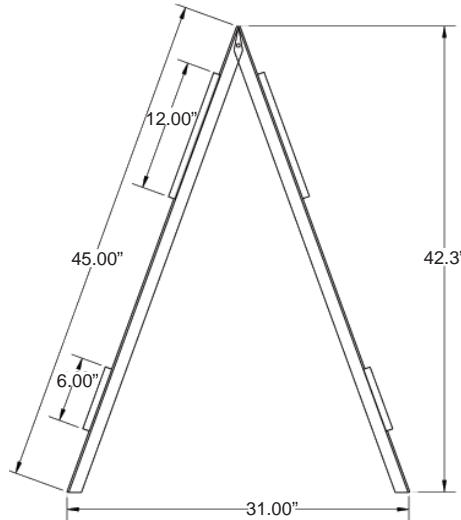
COMBOCADE™

TYPE I & TYPE II BARRICADE

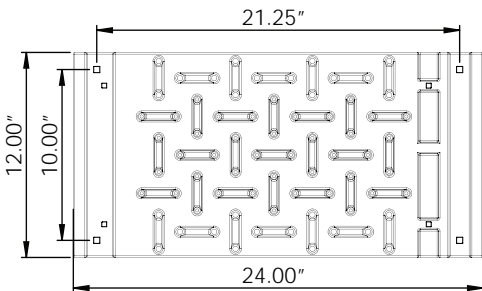
Front View



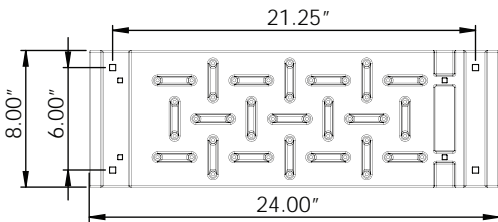
Side View



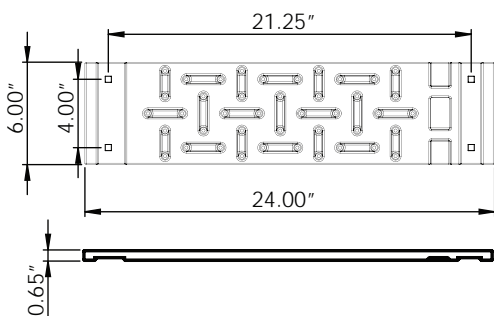
24"W x 12"H Board



24"W x 8"H Board



24"W x 6"H Board



Leg hinge holes accept 1/2" light mounting bolt



Purchase barricades fully assembled or as component parts. Names can be stenciled on the boards for identification

Specs	
Dimensions	45"H x 24"W x 2 1/2"D
Leg Composition	Roll Formed Steel, Galvanized, white powder coated by special order
Leg Weight	2.2 lbs.
Leg Thickness	14 gauge - 1 1/4"
Board Composition	High Density Polyethylene
Board Sizes	12"H x 24"W - 2.2 lbs. 8"H x 24"W - 1.5 lbs. 6"H x 24"W - 1.1 lb.
Board Thickness	0.65" D
Board Color	White
Reflective Sheeting	Available in all grades in white and orange stripes

You pick your board sizes & sheeting grade

Board Stenciling Available

PLASTICADE®

100 Howard Ave.
Des Plaines, IL 60018
phone (800) 772-0355
fax (847) 966-8074

Plasticade.com