

# FIBERCADE TYPE I & TYPE II BARRICADE

All Plastic Barricade  
Composed of Replaceable  
Component Parts



- All plastic barricade with a double wall design that makes it extremely rigid and strong
- Built from component parts, legs and boards, assuring easy replacement of damaged parts
- Bottom board can carry a 35 lb. sandbag
- Two flashing light mounting receptacles
- NCHRP-350 Certified, meets MUTCD Standards



Choose from 12" x 24",  
8" x 24", or 3" x 24" boards  
Signs or names can be  
stenciled directly on the  
plain board or on the  
reflective sheeting

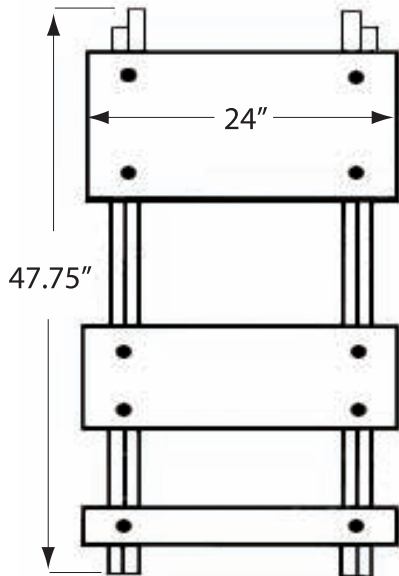


**PLASTICADE®**

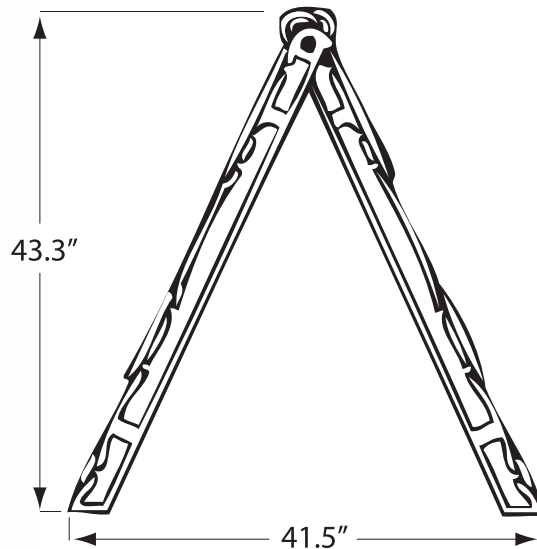
[Plasticade.com](http://Plasticade.com)

# FIBERCADE®

## TYPE I & TYPE II BARRICADE



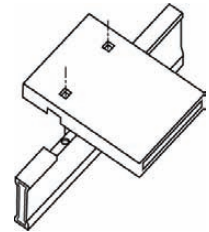
Front View



Side View

### Specs

Composition	High Density Polyethylene
Dimensions	43.3"H x 24"W x 3"D
Colors	White
Weight	16 lbs.
Reflective Sheeting	Available in all grades in white and orange



Holes are predrilled in the boards and legs for easy assembly when you purchase component parts



Purchase assembled with your choice of 12" x 24" or 8" x 24" top and bottom panels, with or without sheeting

### PLASTICADE®

100 Howard Avenue  
Des Plaines, IL 60018  
phone (800) 772-0355  
fax (847) 966-8074

[Plasticade.com](http://Plasticade.com)

MADE IN THE USA