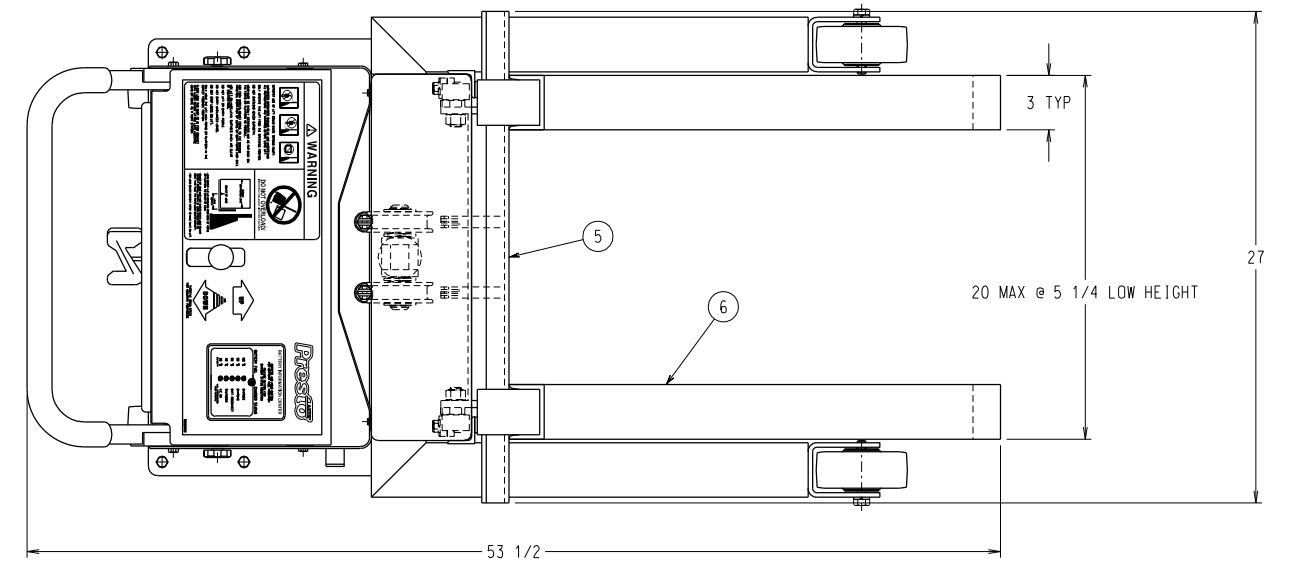
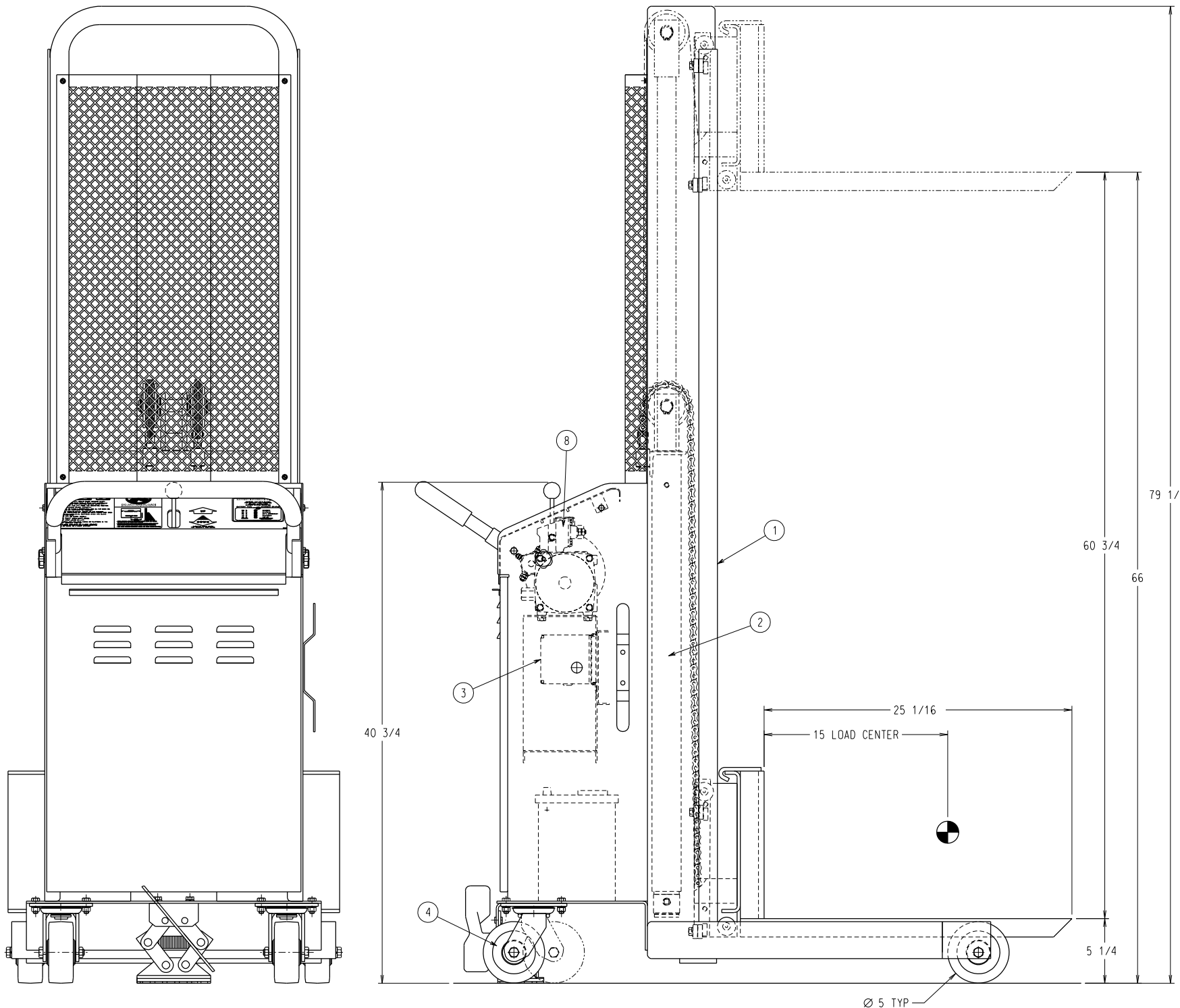


REV	DESCRIPTION	DATE	APPROVED	MF NO.
A	ITEM 8 WAS 60011224	05-19-06	SMS	P1019



FORKS CAN BE SPREAD WIDER UP TO 26 O.D. @ A LOW HEIGHT OF 6 1/4"

GENERAL DESCRIPTION
 MODEL: B666-2000
 CAPACITY: 2000 LBS. @ 15" L.C.
 RISE: 60 3/4 IN @ 12 SEC
 POWER: 12VDC
 CONTROLS: HANDVALVE
 FINISH: PRESTO ORANGE & BLACK MACHINERY ENAMEL

ITEM	QTY	DESCRIPTION	PART NO.
10	REF	HY PLUMBING SCHEMATIC	A 80001162
9	REF	EL WIRING DIAG 12 DC BTRY	B 80000424
8	1.0 EA	HY PU MONARC	C 80002938
7	REF	LD KIT LOC DIAG STACKER	C 80001114
6	2.0 EA	SA FORK WELDMENT C119-11 27" W/ BEVEL	B 80001147
5	1.0 EA	SA BACKPLATE ASSY 1500# SLOT	C 80001143
4	1.0 EA	ACP PORT KIT WP E/B B600	C 80000856
3	1.0 EA	EL ARR B600-1500/2000, WP/WPS, PS	C 80001173
2	1.0 EA	HY ARR I B666-1500/2000 12VDC	C 80001138
1	1.0 EA	SA FRAME & CABINET WELDMENT B666-2000	D 80001156



FRACTIONS ±1/8
 .XXX ±.005
 .XX ±.01
 ANGLES ±.5°
 UNLESS OTHERWISE SPECIFIED, DIM ARE IN INCHES

PRESTO LIFTS 21 Park Street, Attleboro, MA 02703		WORLDWIDE MATERIAL HANDLING AND ERGONOMIC SOLUTIONS	
REFERENCE: 5001160	WT	SCALE: 3/16	DATE
B666-2000	TL STKR B666-2000 STANDARD	B666-2000	A
MODEL	TITLE	DRAWING NUMBER	REV

THIS DRAWING MUST BE AT REVISION: 'A'