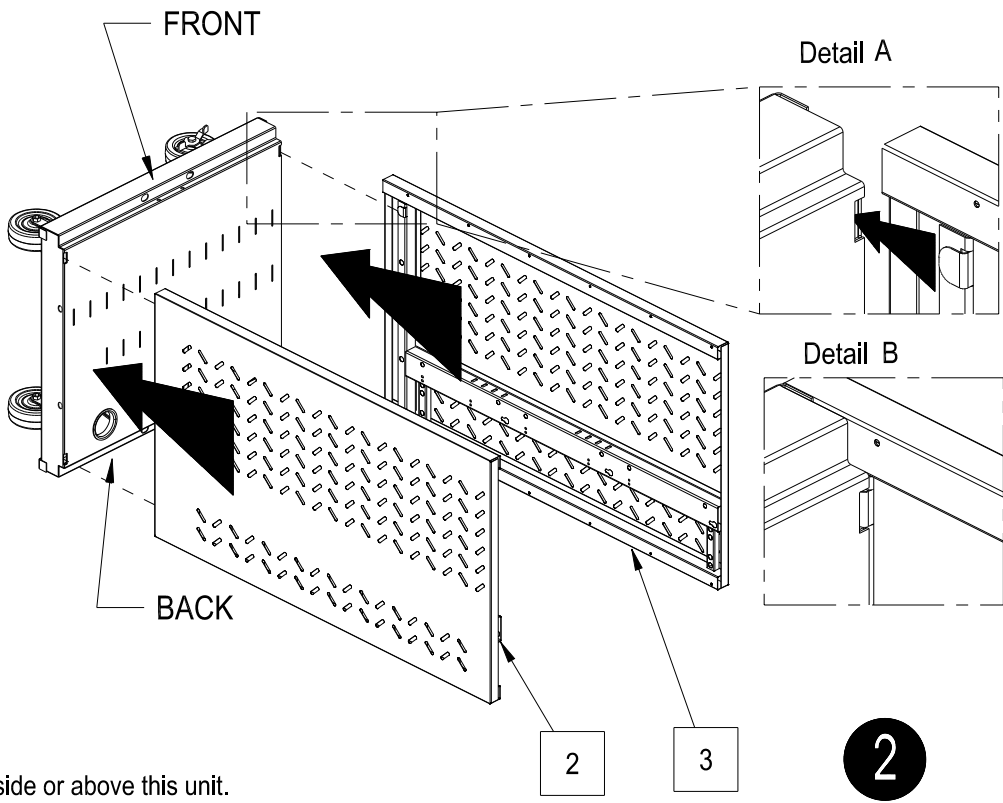
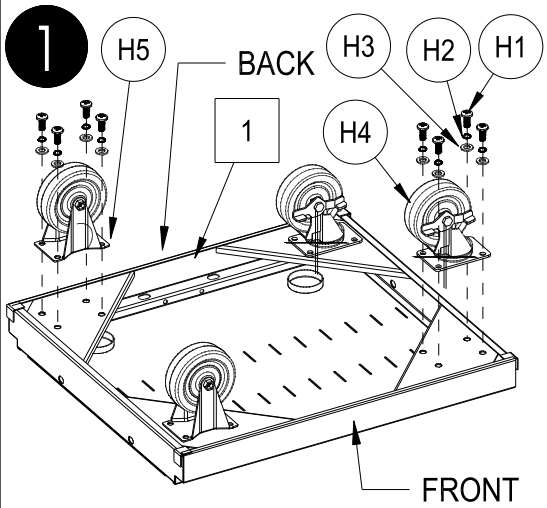


Tablet Storage & Charging Cart for 36 Tablet Devices

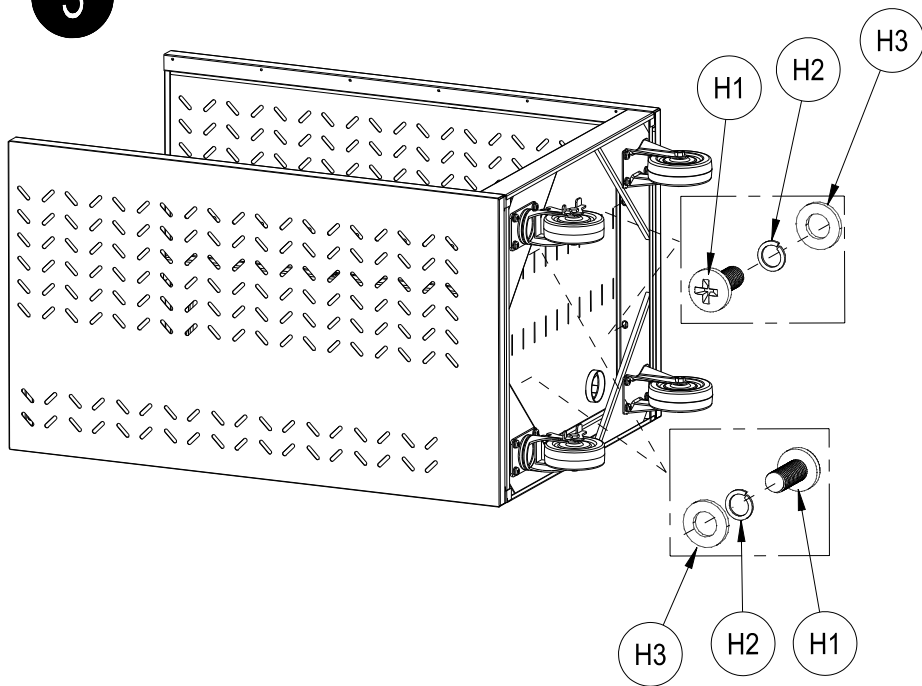
| CONTENTS | | | | | | | | |
|----------|------|-------------------|------|------|-----------------------------------|------|---------|-------------------------------------|
| REF. | QTY. | DESCRIPTION | REF. | QTY. | DESCRIPTION | REF. | QTY. | DESCRIPTION |
| 1 | 1 | BASE | H1 | 20 | m8 x 1.25 phillips pan head screw | H8 | 4 | .m8 x 1.25 socket head screw |
| 2 | 1 | RIGHT PANEL | H2 | 20 | lock washer | H9 | 4 | .8.5 mm lock washer |
| 3 | 1 | LEFT PANEL | H3 | 20 | plain washer | H10 | 4 | .8.5 mm plain washer |
| 4 | 3 | DIVIDER SUPPORT | H4 | 2 | swivel caster | H11 | 4 | power strip bracket |
| 5 | 39 | DIVIDER | H5 | 2 | rigid caster | H12 | 8 | m4 x .07 phillips countersink screw |
| 6 | 2 | SHELF | H6 | 8 | SHELF CLIP | H13 | 24 | m3 phillips head sheet metal screw |
| 7 | 1 | TOP | H7 | 18 | m6 phillips pan head screw | | | |
| 8 | 1 | HANDLE | | | | | | |
| 9 | 2 | POWER STRIP | | | | | | |
| 10 | 2 | DOOR (With lock) | | | | | | |
| 11 | 2 | DOOR (Plain) | | | | | | |
| | | | | | | | 2 (set) | Key |



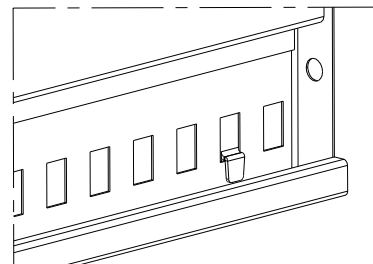
WARNING.

- AC input: 120VAC 60Hz. Max amps: 15A.
- Do not use this unit outdoors.
- Do not jam the power cord against sharp edges.
- Do not roll the cabinet over the power cord.
- Do not use power cord to pull the cabinet.
- Liquids should not be stored in, set on or placed inside or above this unit.
- Never unplug this product from the outlet when your hands are wet.
- Electrical devices are not toys. This unit must always be used by adults.
- Before using this unit, have a qualified electrician verify the current draw does not exceed the rating of the unit when all the devices are installed.
- Test the contact integrity of the wall outlet using a receptacle tension tester (not provided).
- Test the branch circuit for ground integrity and branch circuit protection.
- Set the power switches off before unplugging the unit from the wall, plugging the unit into the wall, or plugging in the tablets.
- Do not plug in the unit if the switch, receptacles, or power cord have been damaged or if the ground prong is missing from the plug
- Do not use the unit if the cord appears to be damaged or if the ground prong is missing.
- Before moving cart, snake power cord back into the cabinet and close doors.

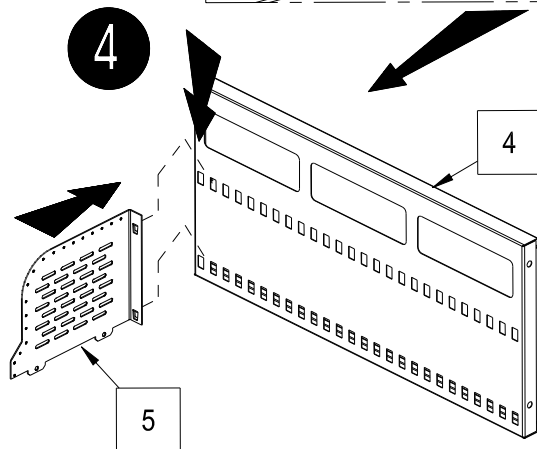
3



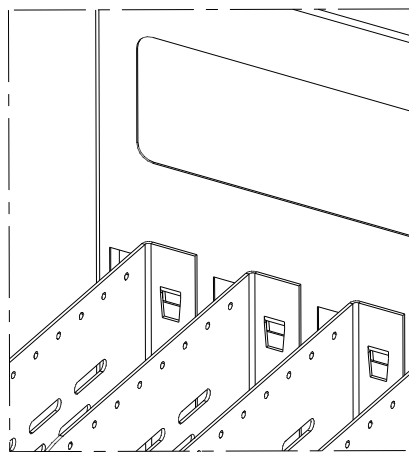
BACK VIEW



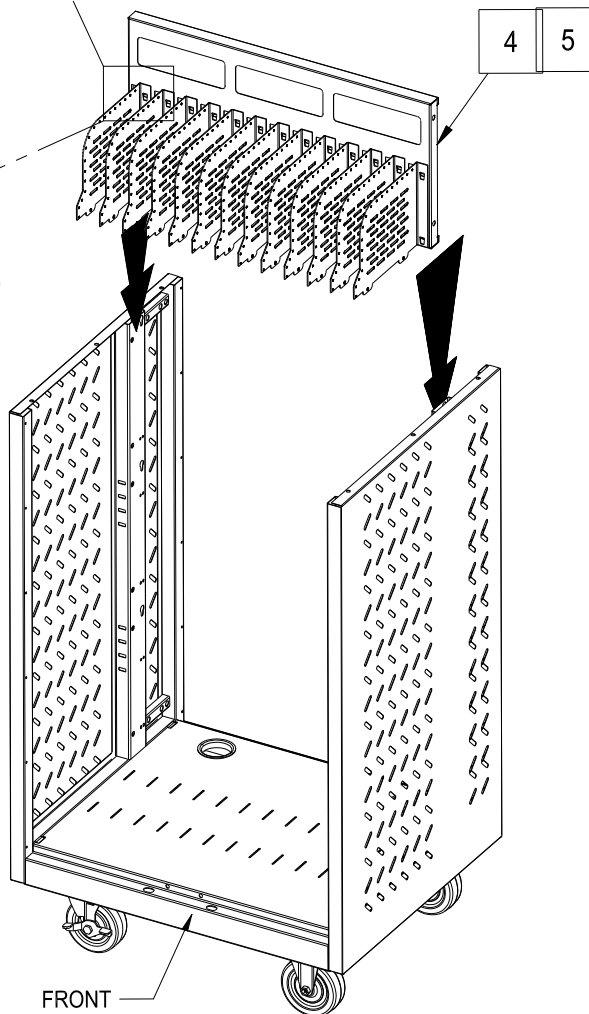
4



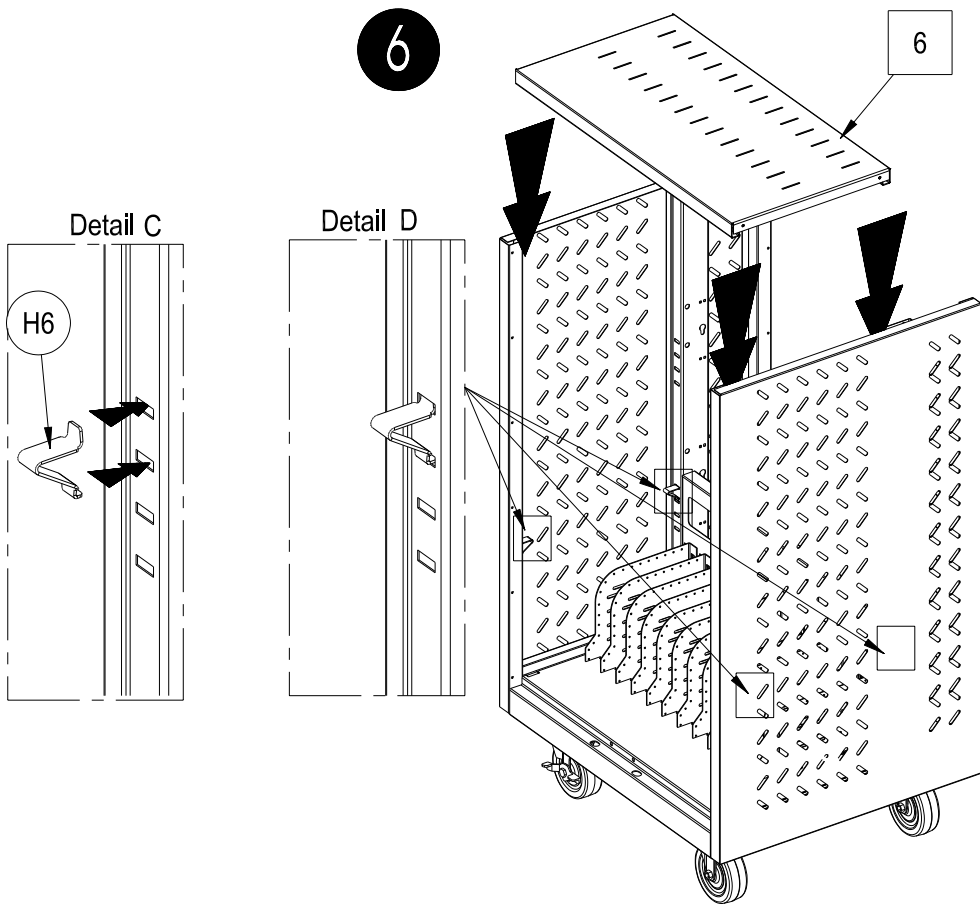
Detail



5

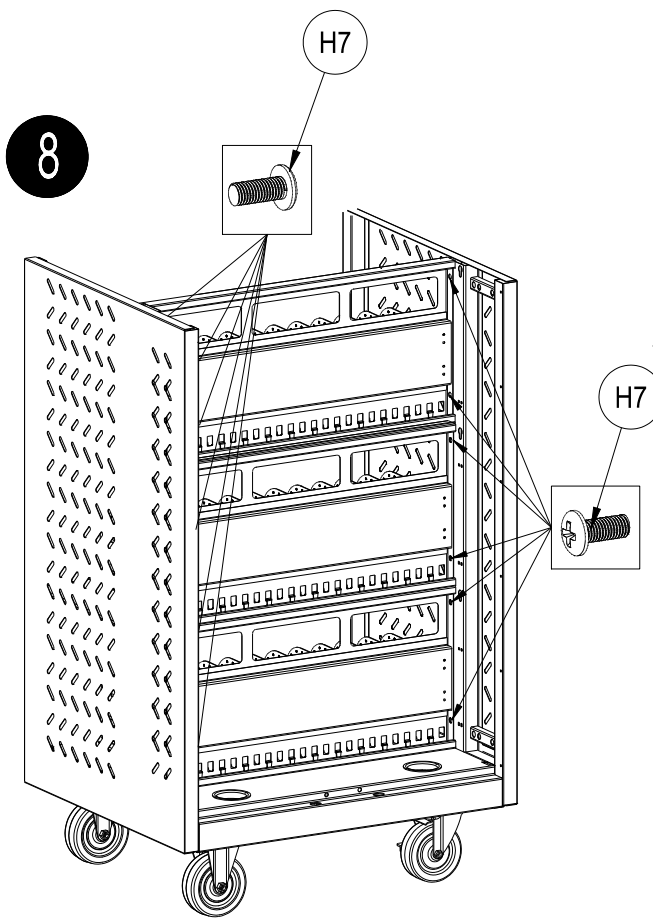
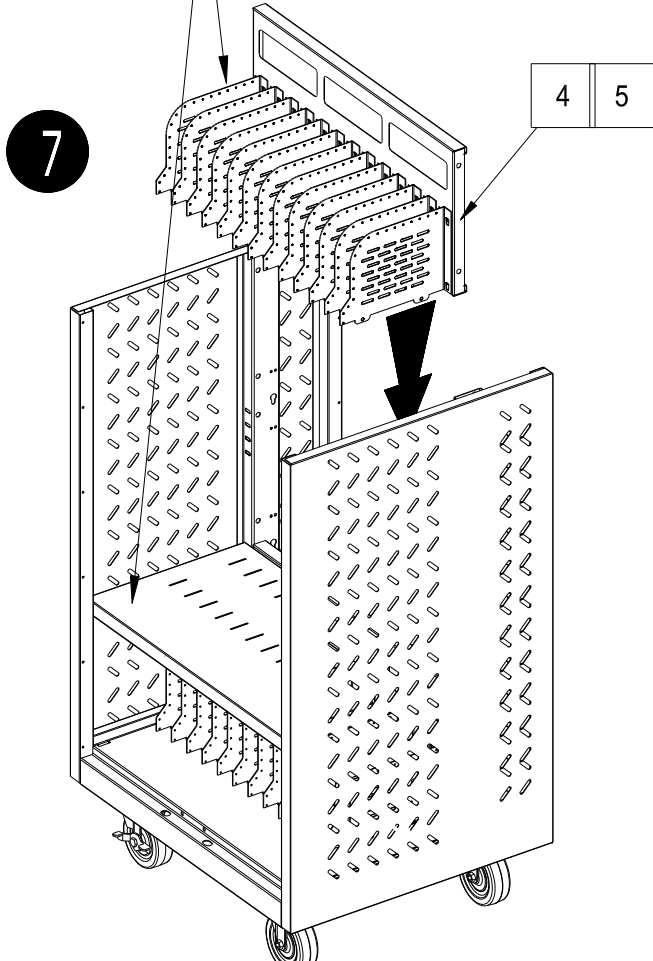


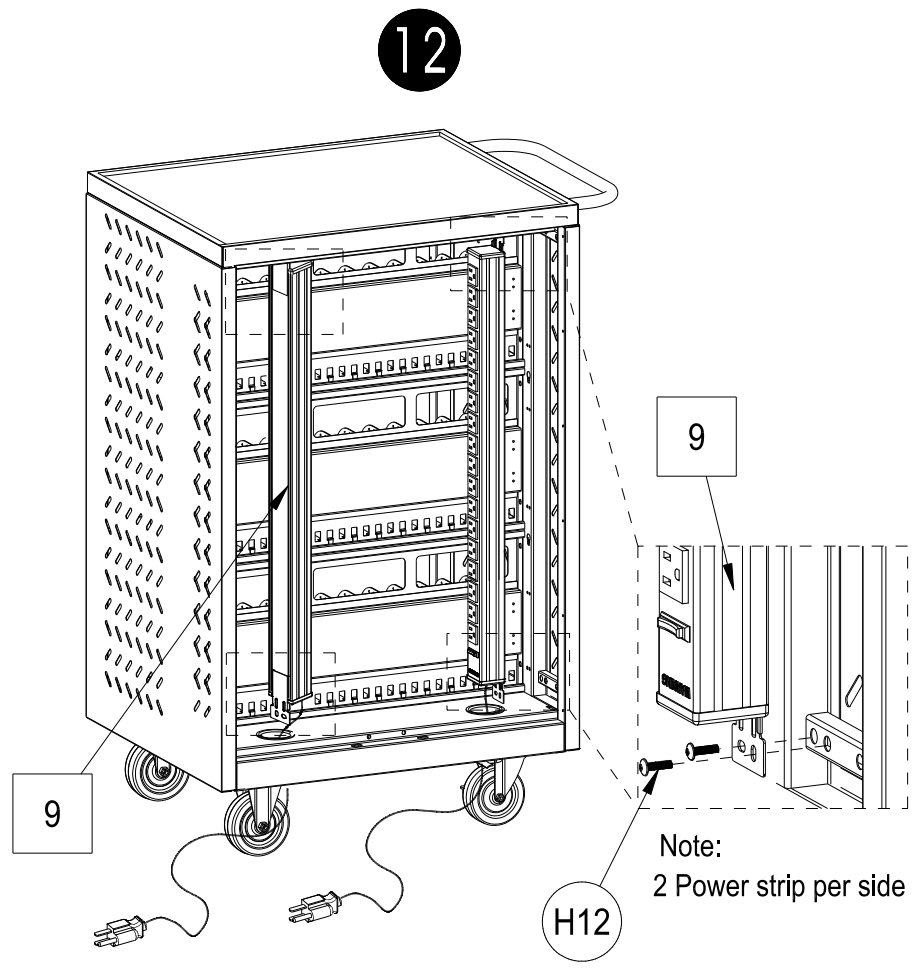
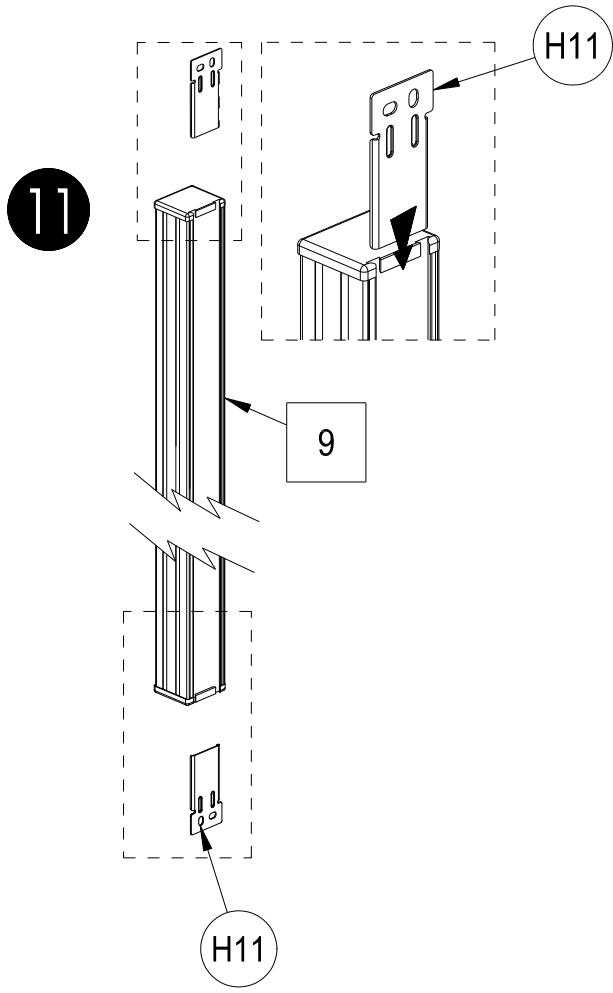
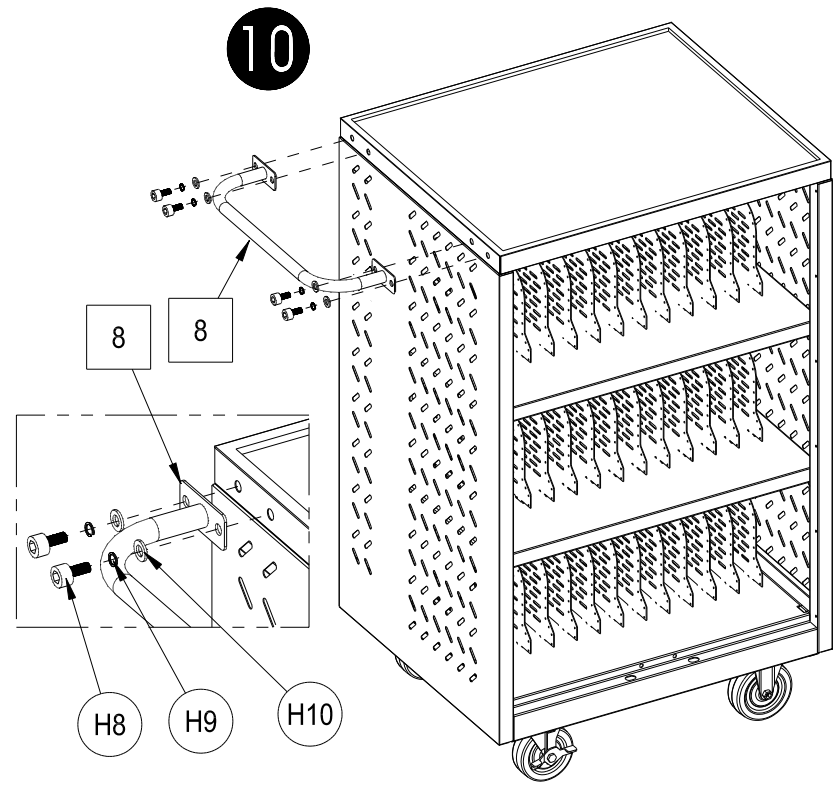
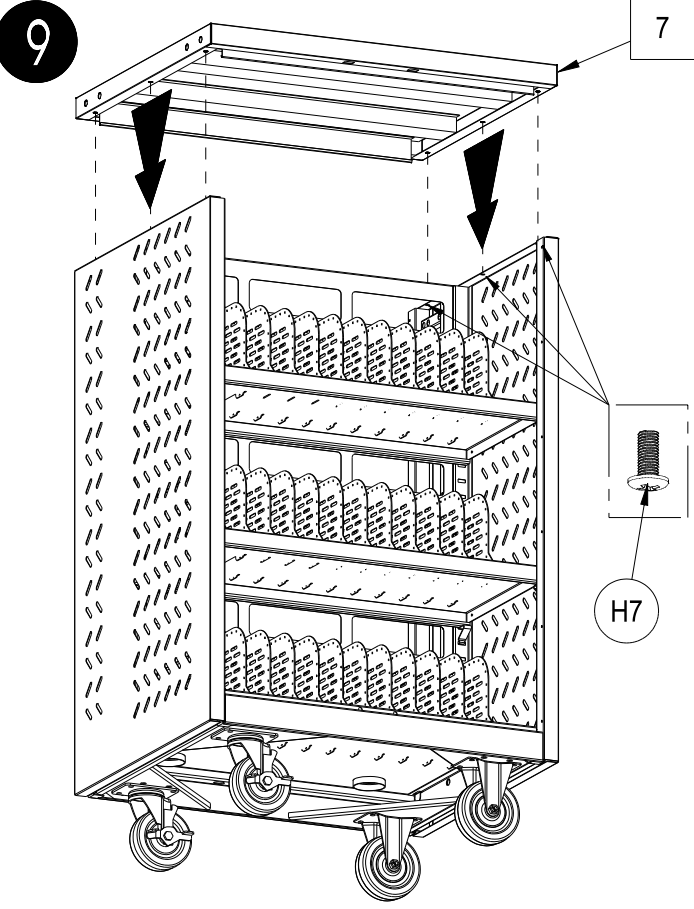
FRONT



NOTE:

For the next row of shelf and dividers repeat step 4 and 6





14

11

10

H13

15

11

10

H13

