



GLOBAL INDUSTRIAL™

We can supply that.®

User's manual

Manual del usuario

Manuel de l'utilisateur

Customer Service
US: 1-800-645-2986

Servicio de atención al Cliente
US: 1-800-645-2986

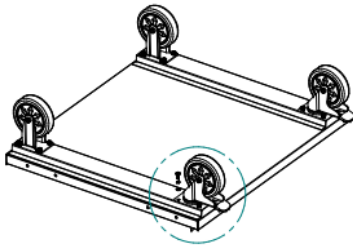
Service à la clientèle
Canada: 888-645-2986

Global Industrial Receiving Cart

Models: 800511

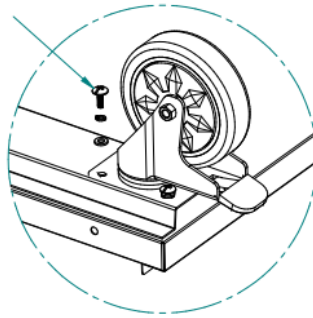
Step 1

Take base of unit and turn upside down. Place on soft surface to avoid scratching



Using (16) M6x16 screws with washers and lock washers, secure the four corners of each caster wheel to the base. Place the two swivel casters on the front of the unit and the two rigid casters in the back.

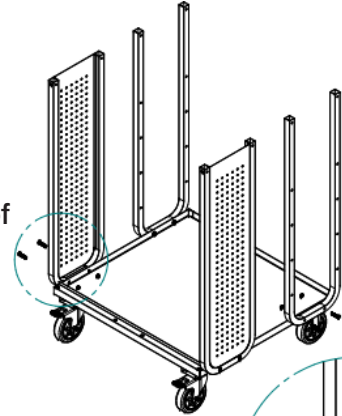
M6X16 (16PCS)



NOTE: During assembly, do not fully tighten bolts until all components are aligned

Step 2

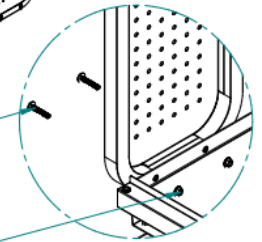
Flip the base so it's resting on the casters. Lock the two front wheels for ease of assembly.



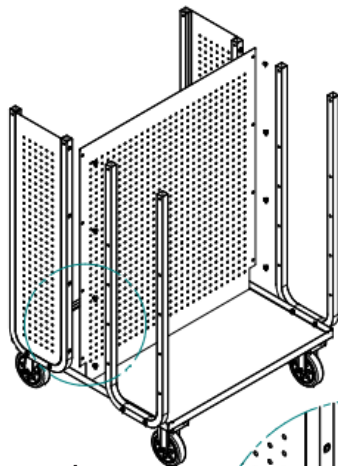
Using (8) of the M6x35 bolts and M6 nuts, secure the U pieces to the base. Secure the pieces without the panelling to the back with the rigid casters and secure the U pieces with panelling to the front.

M6X35 (8PCS)

M6 (8PCS)

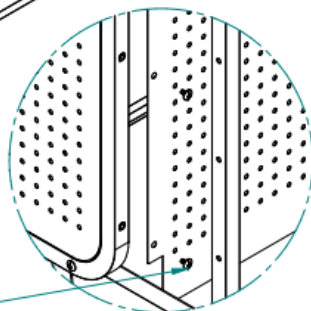


Step 3



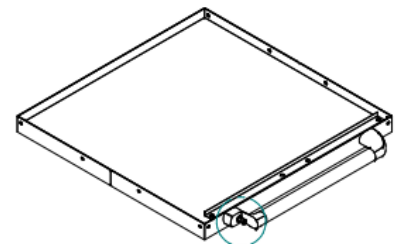
Secure the back panel to the U pieces with panelling. Use (8) M6x10 bolts and the holes on the edge of the back panel. Do not use the holes that are a part of the grid.

M6X10 (8PCS)



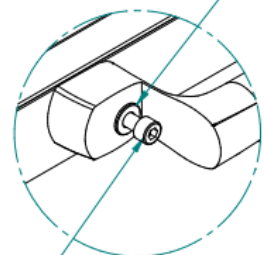
Step 4

Take top of unit and turn upside down. Place on soft surface to avoid scratching



Using (2) M8x40 bolts, secure the handle to the top piece.

B WASHER 8 (2PCS)

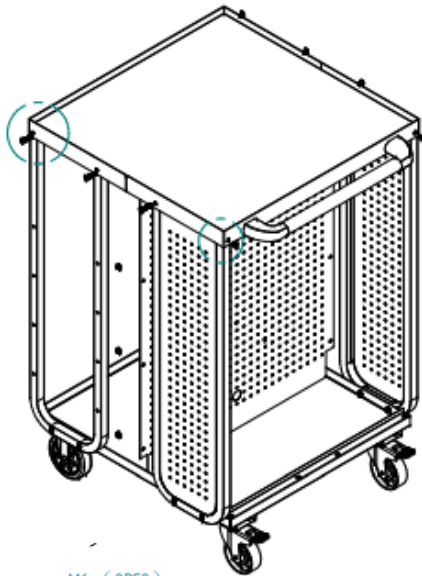


M8X40 (2PCS)

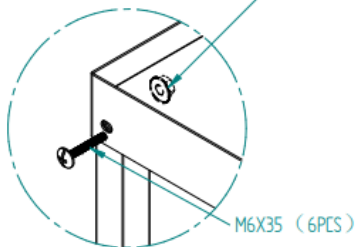
Receiving Cart

Step 5

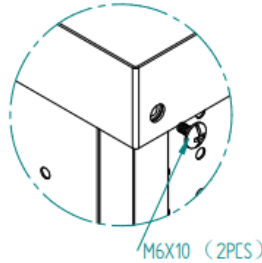
Using (6) M6x35 bolts and M6 nuts, secure the top right-side up to the U pieces.
At the front corners, use (2) M6x10 bolts and M6 nuts to secure the top.



M6 (8PCS)



M6X35 (6PCS)

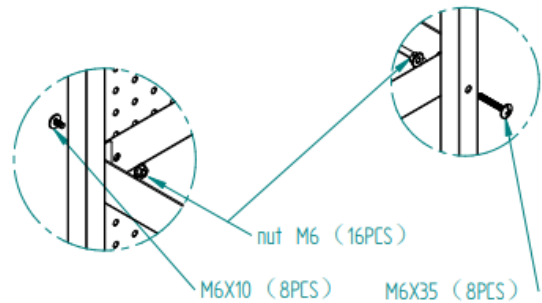
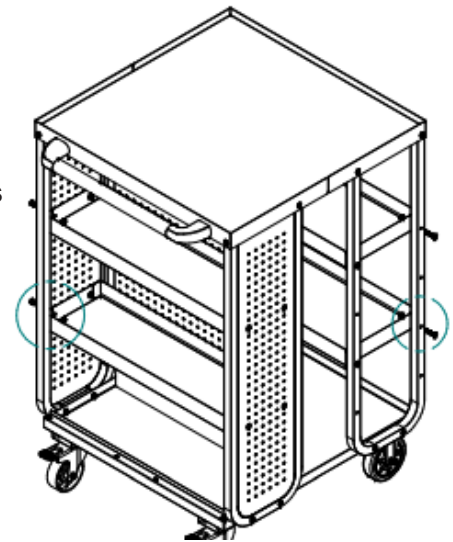


M6X10 (2PCS)

Step 6

Using (8) M6x35 bolts and M6 bolts, secure the (2) outside shelves to the U pieces without panelling.

Using (8) M6x10 bolts and M6 nuts, secure the inside shelves to the inside of the cabinets. These shelves can be placed at whatever height is required.

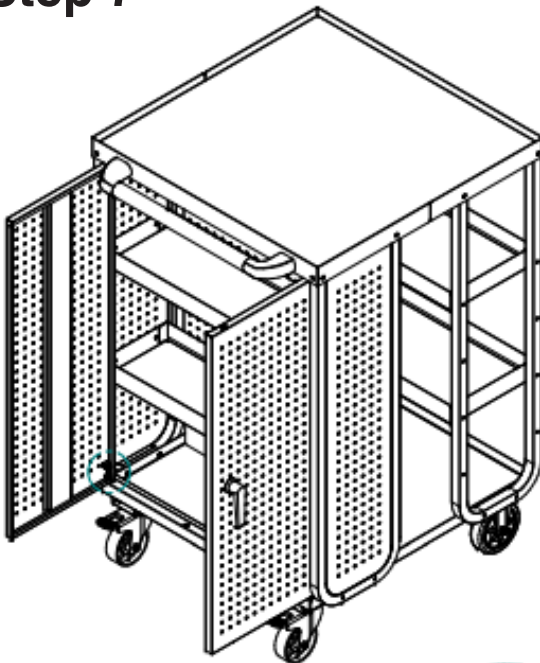


nut M6 (16PCS)

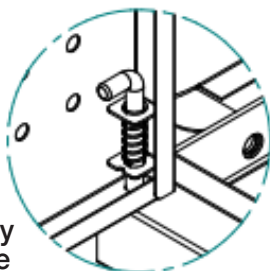
M6X10 (8PCS)

M6X35 (8PCS)

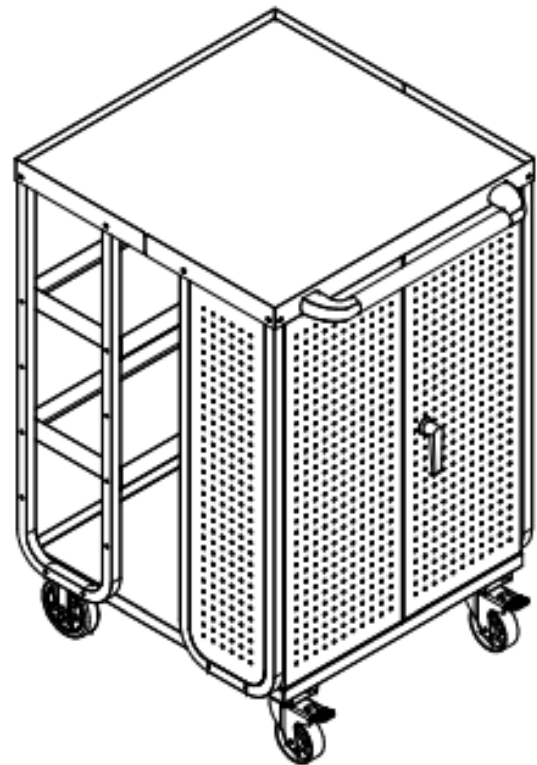
Step 7



Using the J-Shaped pin, pull down on the pin and put each door into place so that the pin lines up with the holes in the top and bottom. Once in place, release the pins and ensure they go into the holes. Make sure the doors are secured tight.



Step 8



Tighten all the screws and unlock the wheels for use. Assembly is complete.

Receiving Cart

CAPACITY INFORMATION:

Each Shelf on the Receiving Cart is rated for 500lbs capacity.

DO NOT OVERLOAD**WARNINGS**

- DO NOT USE THIS CART AS A STEP LADDER. DO NOT CLIMB, LEAN, OR STAND ON CART SHELVES OR TOP
- DO NOT USE CART UNLESS ALL BOLTS AND SCREWS ARE TIGHTENED. EVERY SIX MONTHS, CHECK ALL BOLTS AND SCREWS ARE TIGHT AND TIGHTEN IF NECESSARY
- IF ANY PARTS ARE MISSING, DAMAGED, OR WORN, STOP USING THIS CART UNTIL REPAIRS HAVE BEEN MADE USING FACTORY AUTHORIZED PARTS
- KEEP CHILDREN AWAY FROM CART. DO NOT LET CHILDREN PLAY WITH OR RIDE ON CART.
- DO NOT CLIMB UNDER OR THROUGH CART

FAILURE TO FOLLOW THESE WARNINGS COULD RESULT IN SERIOUS INJURY