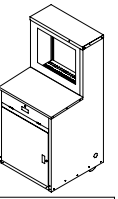


www.globalindustrial.com

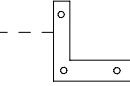


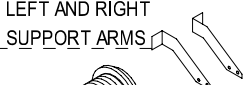

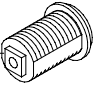

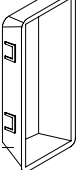

1-800-645-2986

COMPUTER CABINET

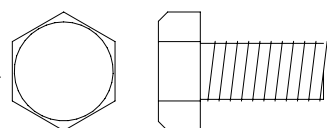
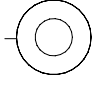
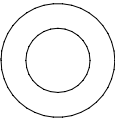
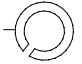
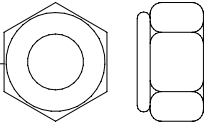
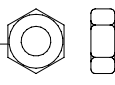



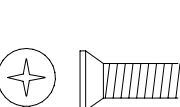

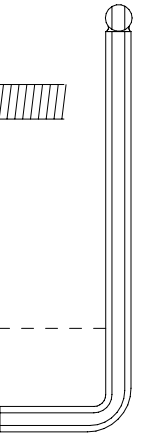
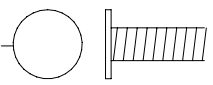
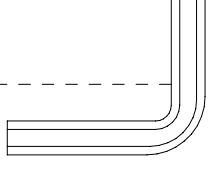
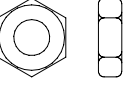

ASSEMBLY INSTRUCTION



CONTENTS

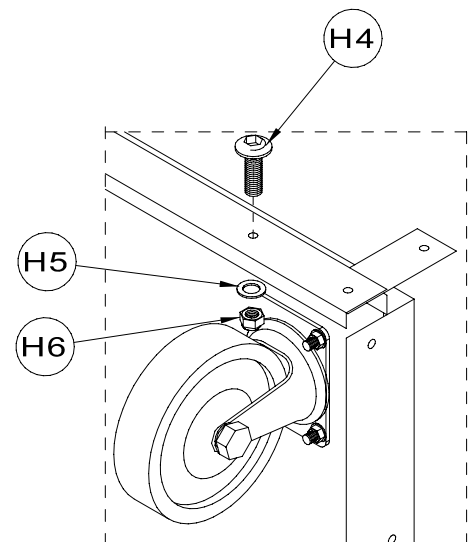
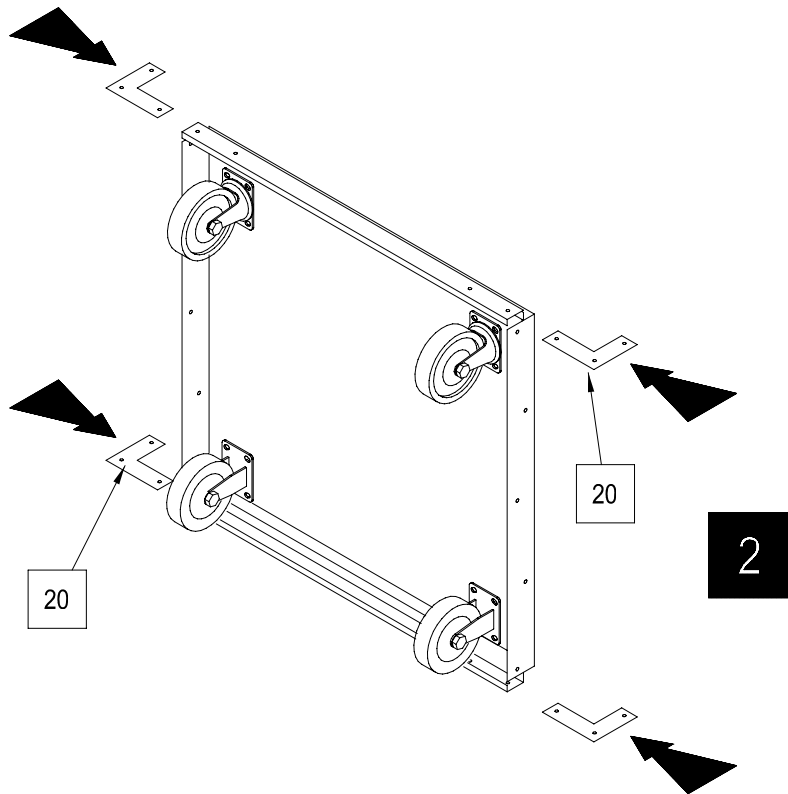
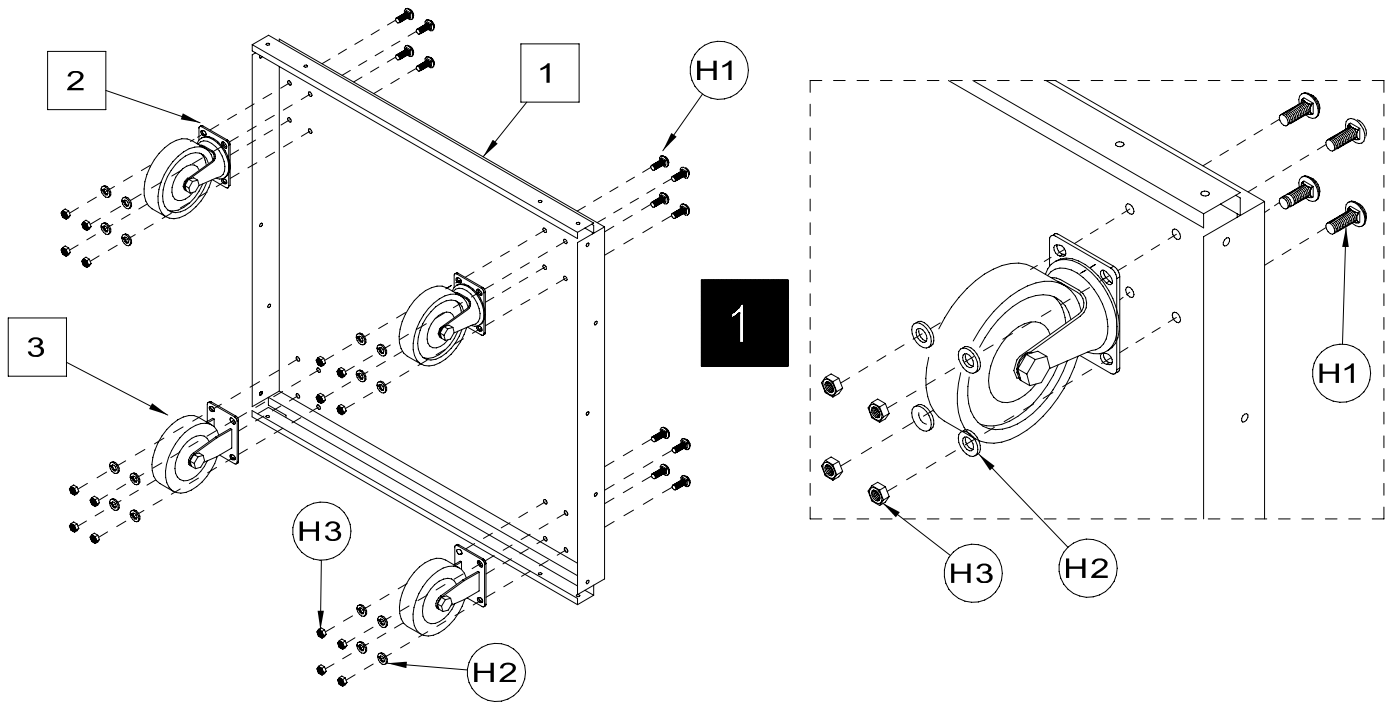
REF.	QTY.	DESCRIPTION	REF.	QTY.	DESCRIPTION	REF.	QTY.	DESCRIPTION	REF.	QTY.	DESCRIPTION
1	1	BASE	10	1	LEFT TRACK ASSY.	20	4		24	4	
2	2	SWIVEL CASTER	11	1	RIGHT TRACK ASSY.				25	4	
3	2	RIGID CASTER	12	1	LOWER TRAY	21	2		26	4	
4	1	LEFT SIDE PANEL	13	1	UPPER LEFT TRACK	22	4		27	3	
5	1	RIGHT SIDE PANEL	14	1	UPPER RIGHT TRACK						
6	1	WORK SURFACE	15	1	KEYBOARD TRAY	23	4				
7	1	MONITOR WINDOW	16	1	KEYBOARD DOOR ASSY.						
8	1	BACK STIFFENER	17	1	FRONT DOOR						
9	1	TOP	18	1	MONITOR SHELF						
			19	1	BACK DOOR						

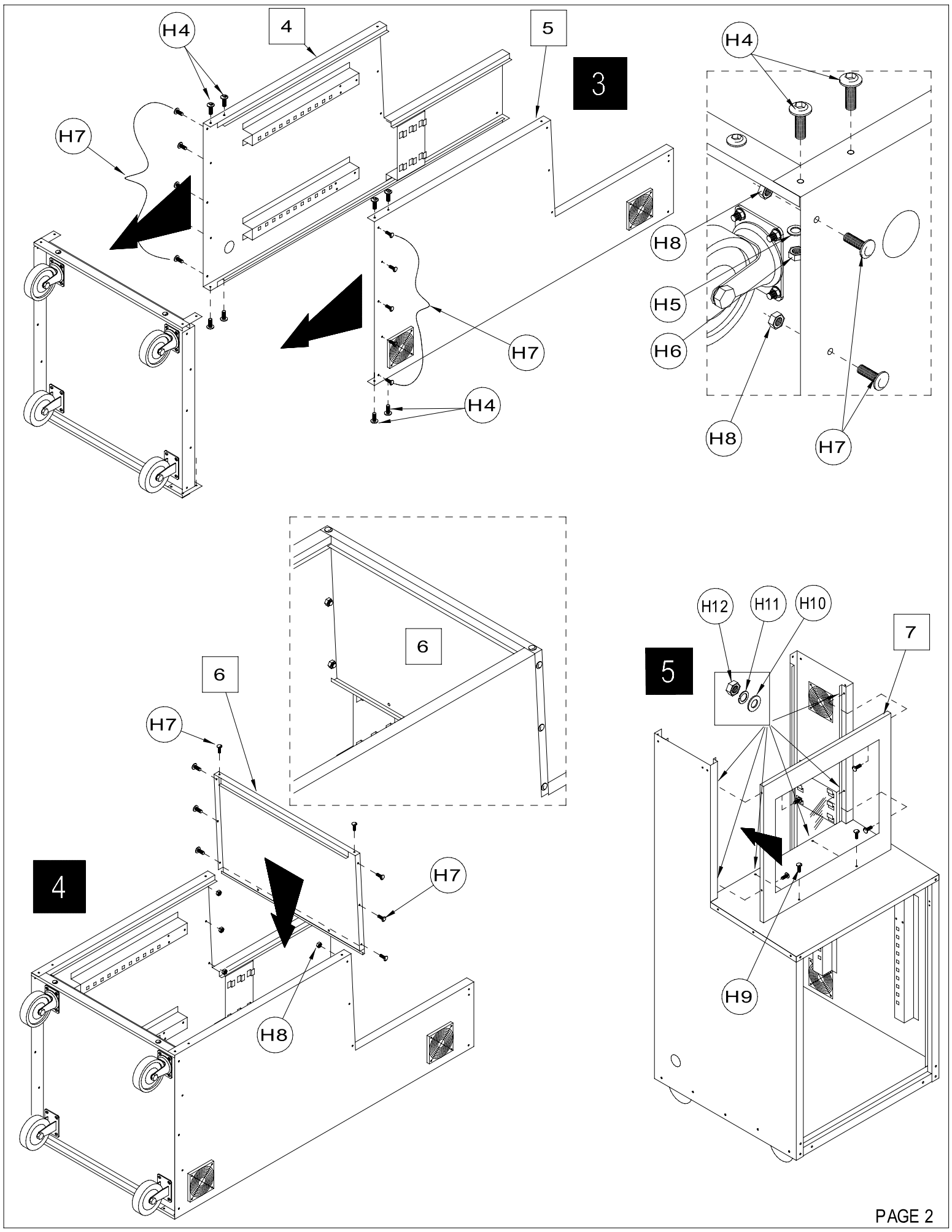
HARDWARE

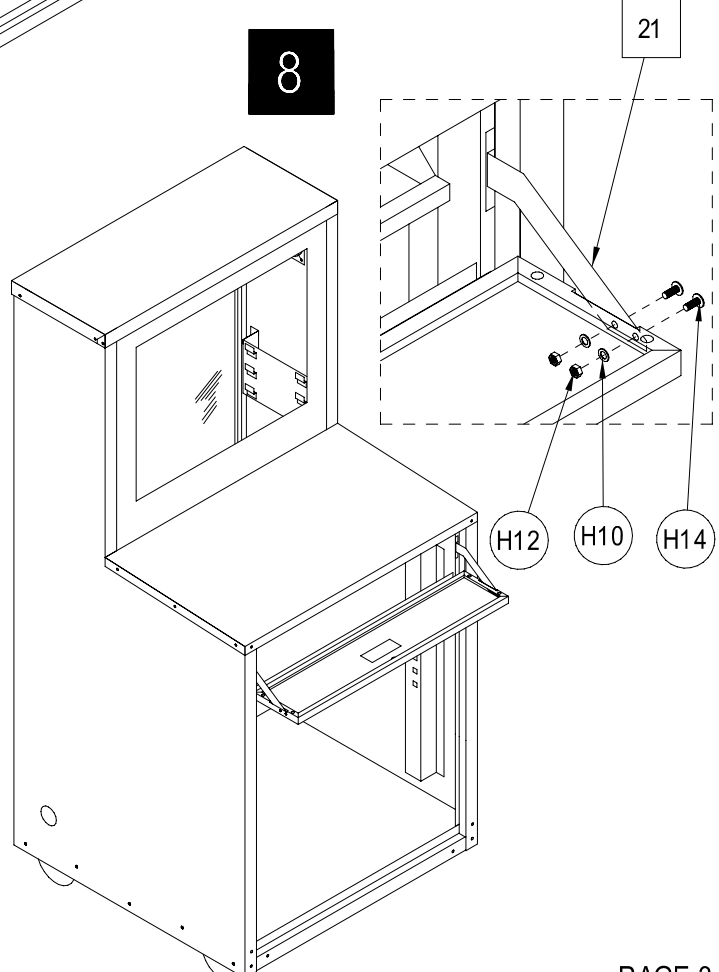
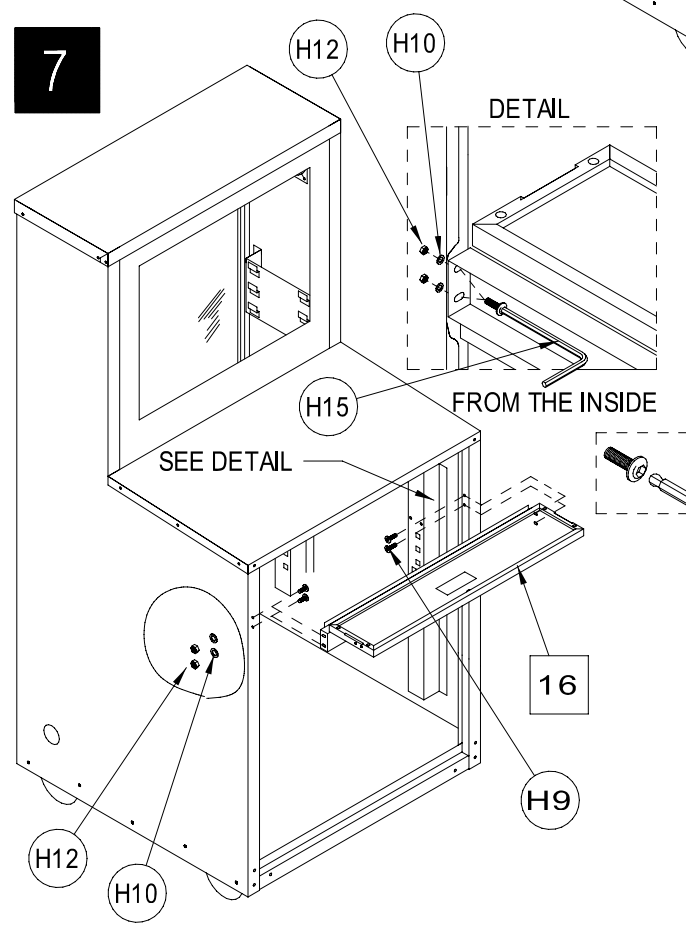
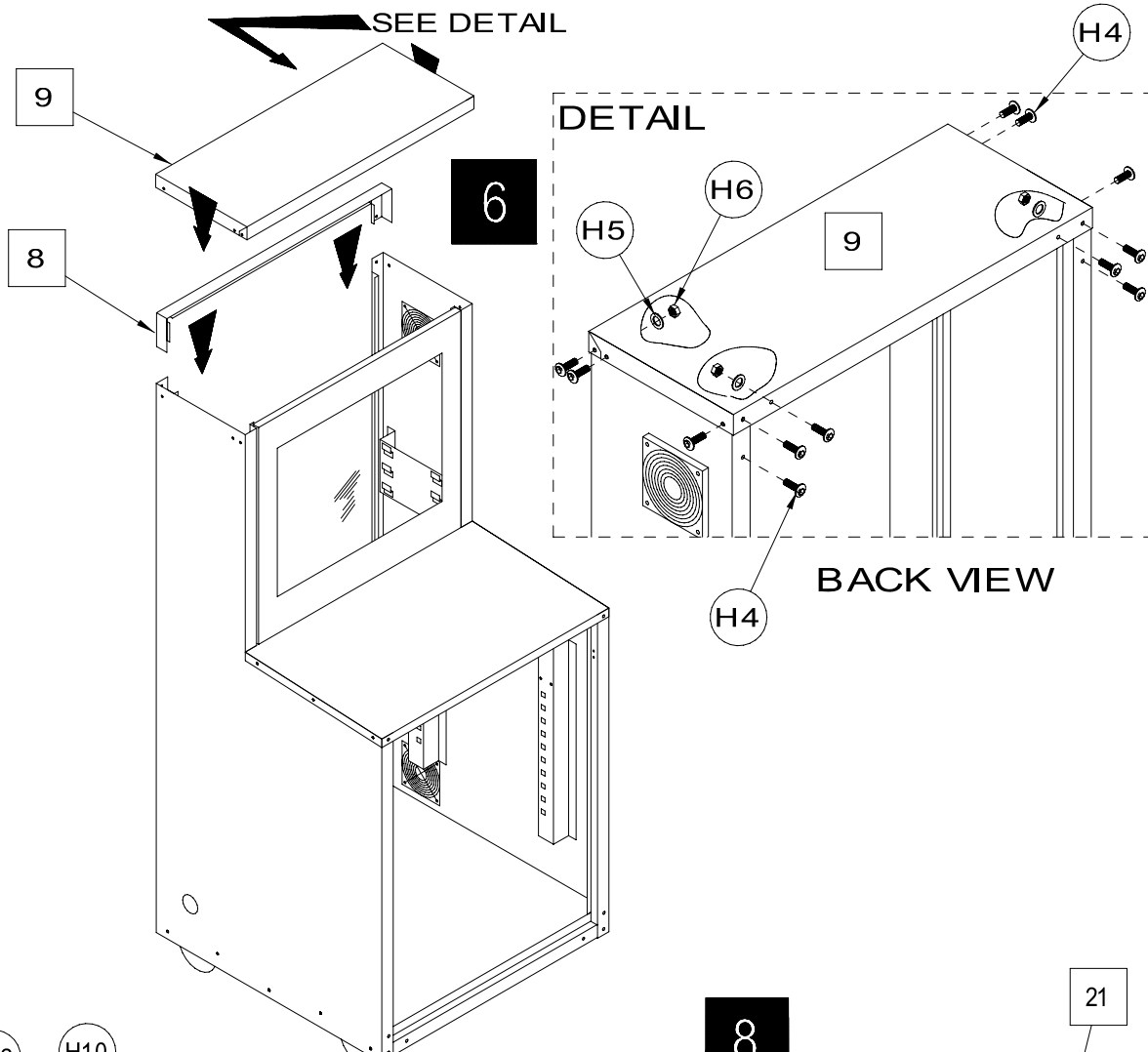
REF.	QTY.	DESCRIPTION	REF.	QTY.	DESCRIPTION
H1	16	8mm hex head bolt 	H10	28	5mm flat washer 
H2	16	8mm flat washer 	H11	20	5mm split washer 
H3	16	8mm nylon lock nut 	H12	28	5 mm hex nut 
H4	24	6mm hex socket pan head screw 	H13	4	5mm cross slot pan head screw 
H5	24	6mm plain washer 	H14	4	5mm cross slot countersunk head screw 
H6	24	6mm nylon lock washer 	H15	1	ball - head hex wrench 
H7	18	#10 x 24 flat head screw (no slot) 		1	6mm hex wrench 
H8	18	#10 x 24 hex nut 			
H9	24	5mm hex socket pan head screw 			

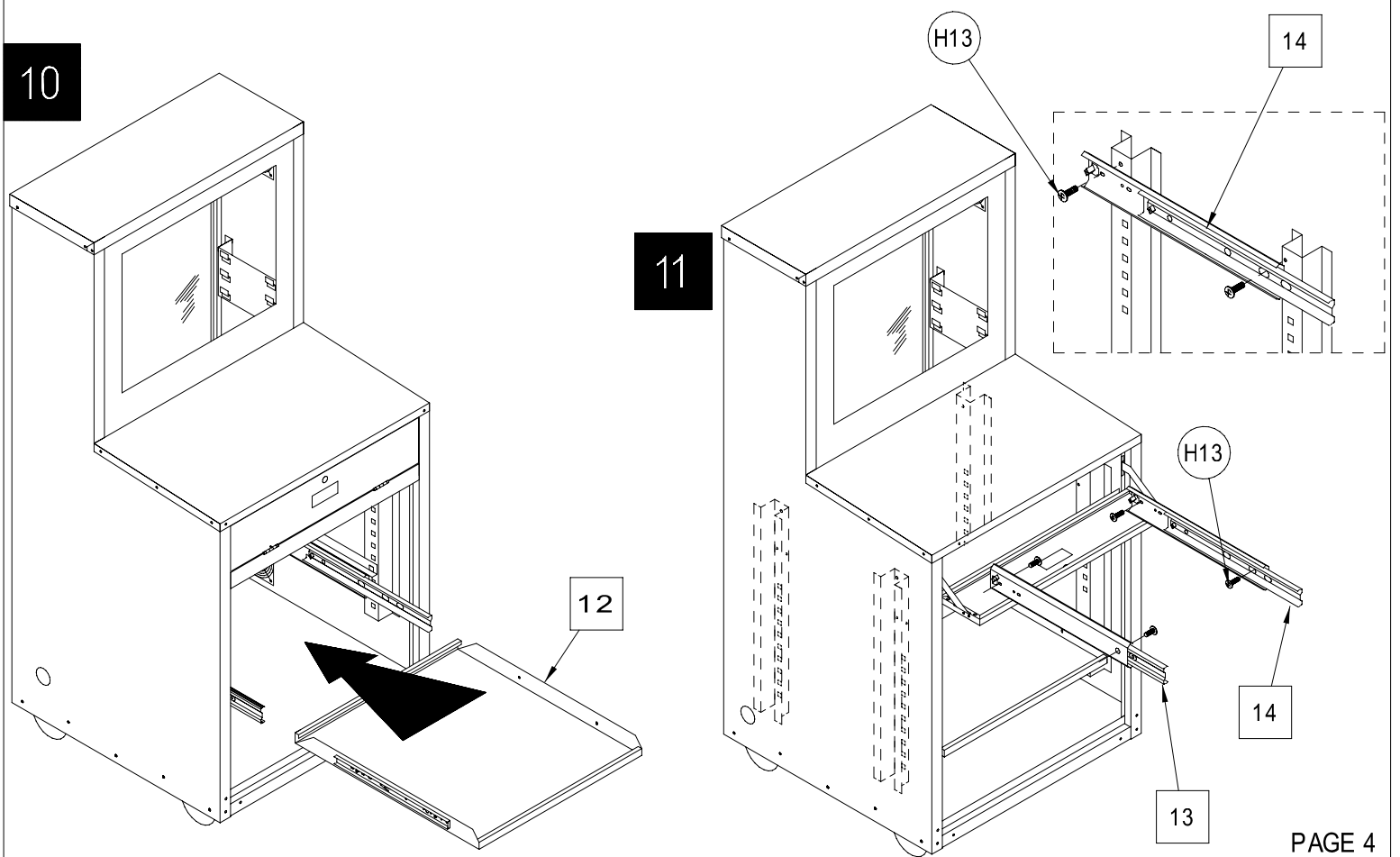
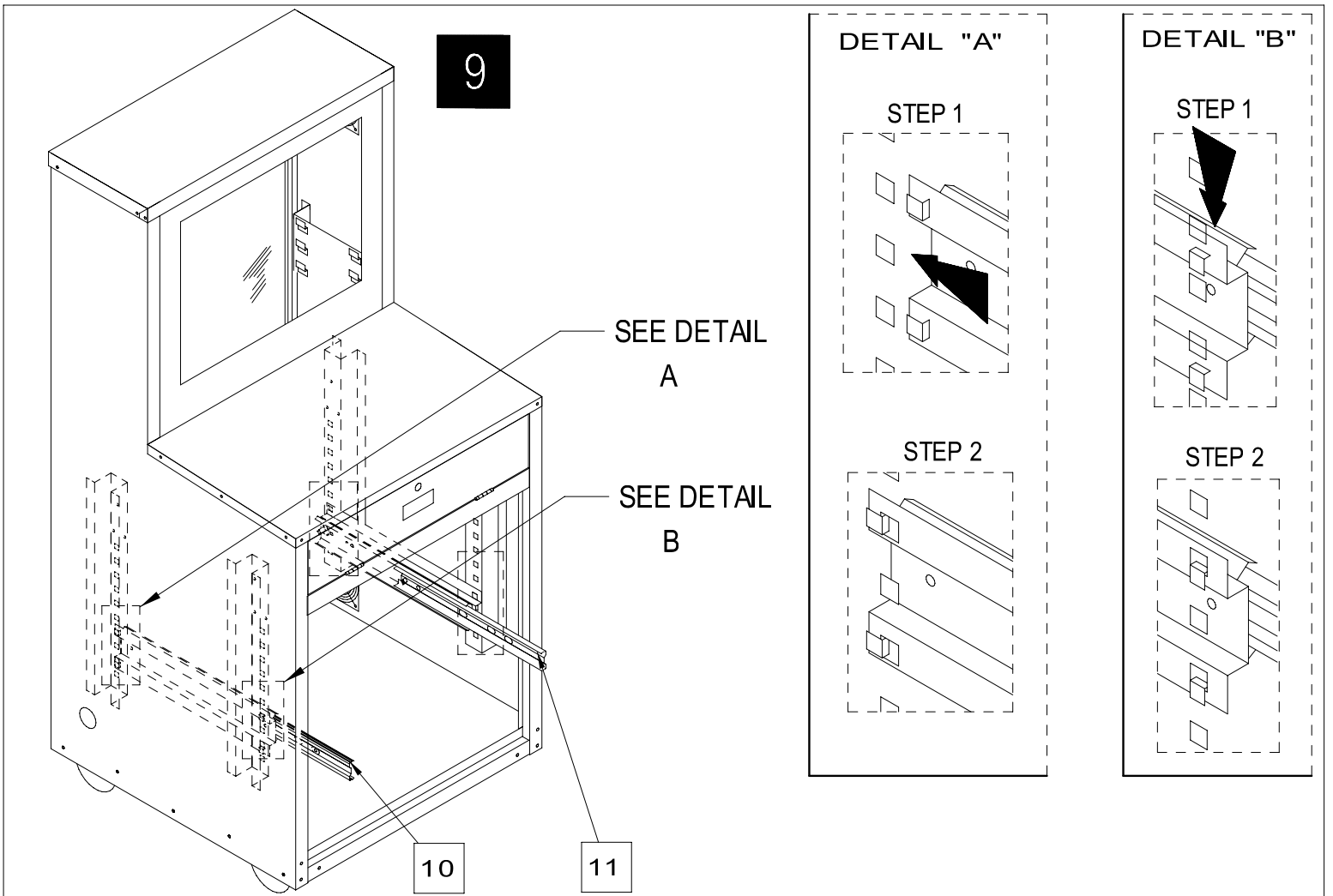
⚠ CAUTION.

- WEAR WORK GLOVES AND EYE PROTECTION WHEN ASSEMBLING.
- USE PROPER LIFTING TECHNIQUE.
- USE TWO PEOPLE TO LIFT UNIT.

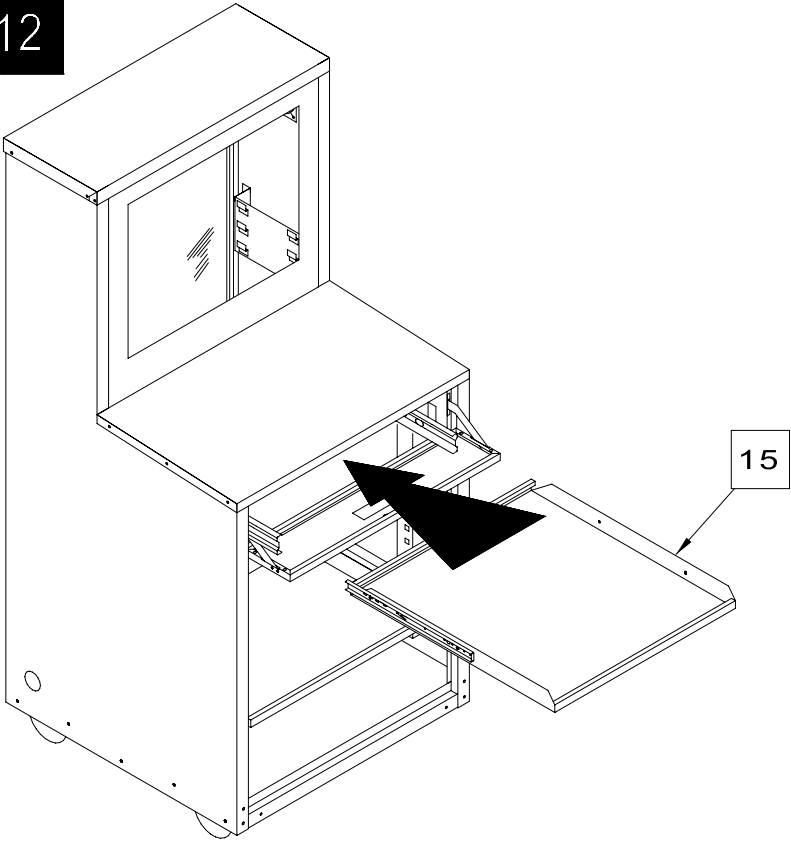






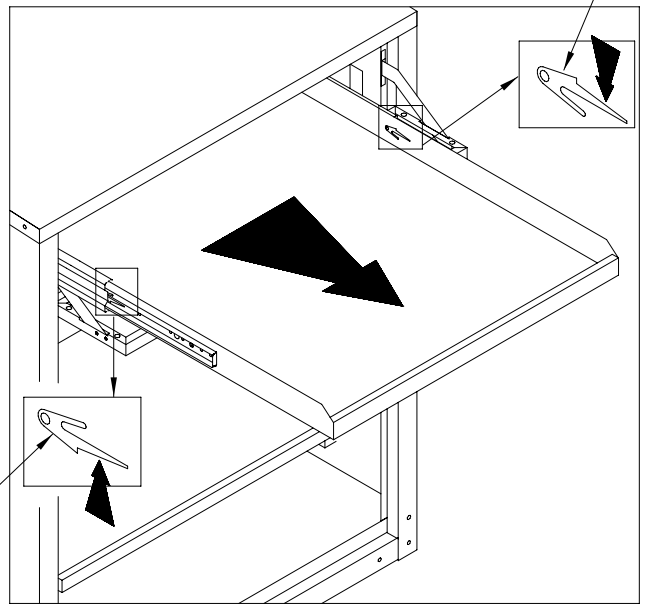


12



15

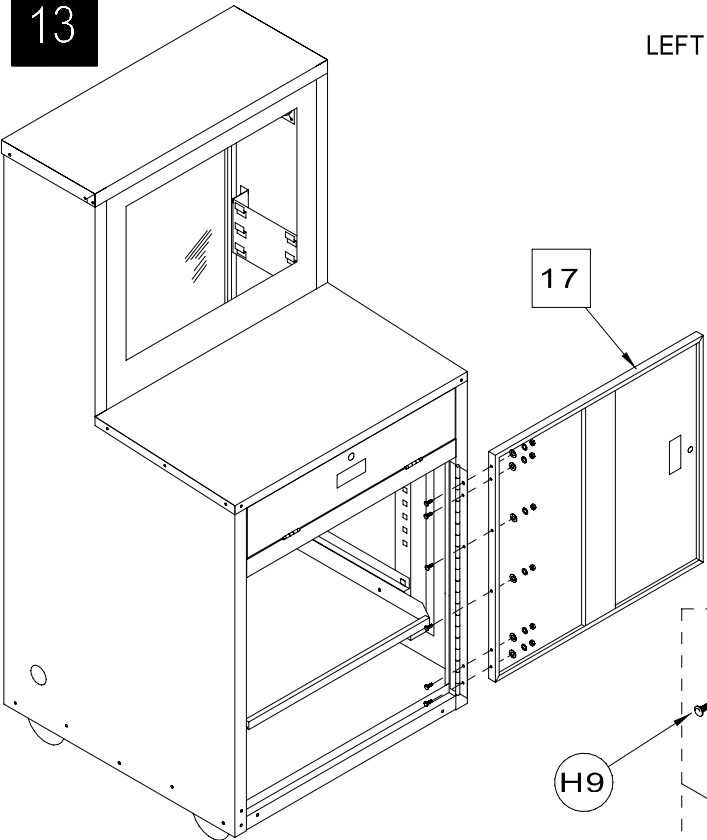
NOTE: RIGHT LEVER
TO REMOVE SHELVES



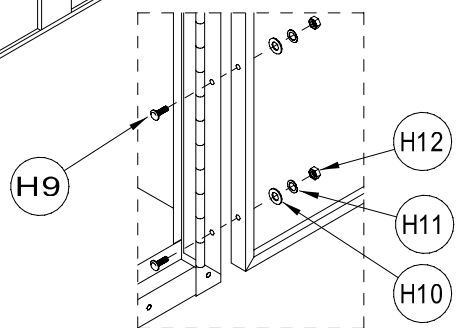
LEFT LEVER

DEPRESS PLASTIC LEVER DOWNWARD ON RIGHT SIDE
AND UPWARD ON LEFT SIDE AND PULL-OUT SHELF GENTLY.

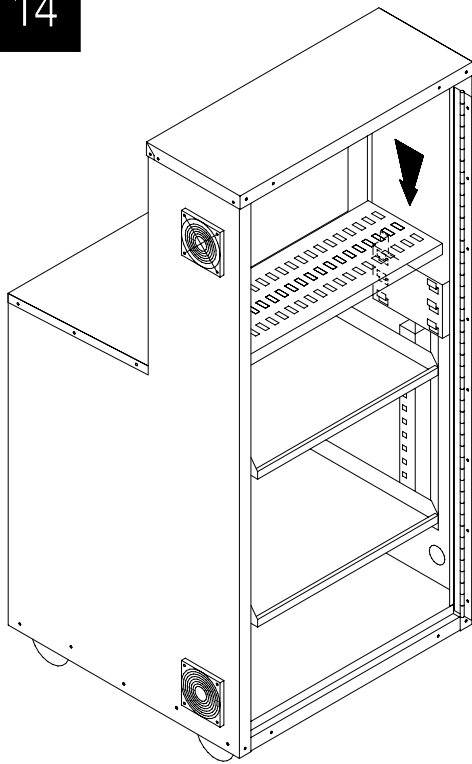
13



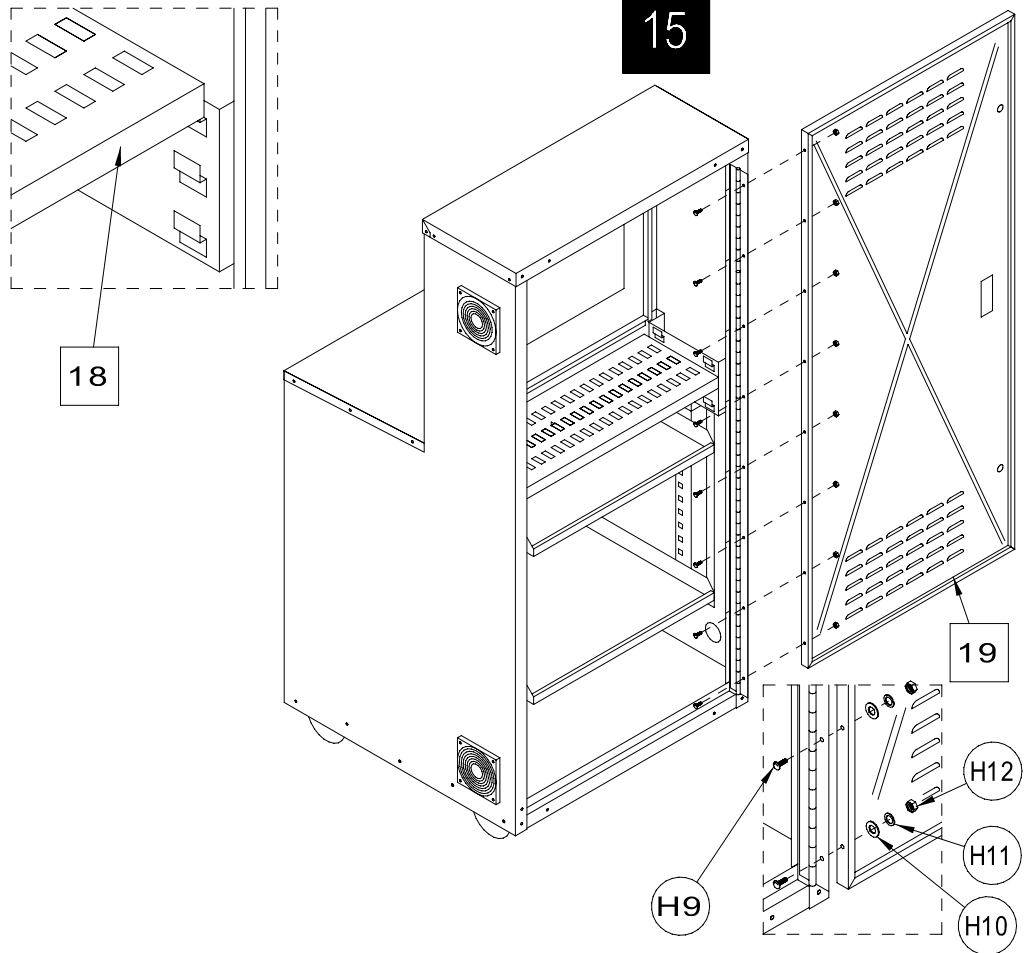
17



14

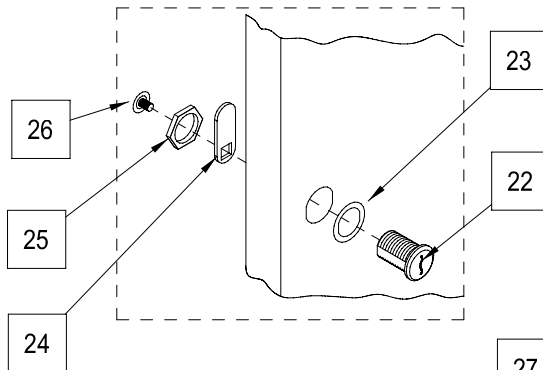
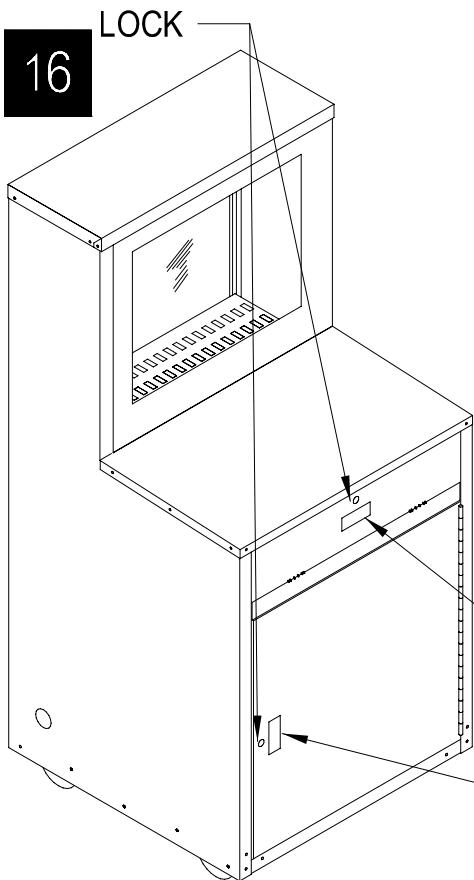


15

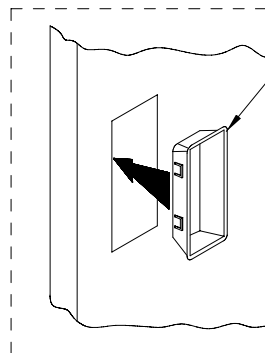


LOCK

16



PULL



PULL

17

