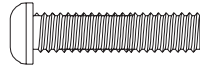




www.globalindustrial.com

1-800-645-2986

FREESTANDING DESK INSTALLATION INSTRUCTIONS



AA (6) Bolt M8x70



BB (6) Washer 8



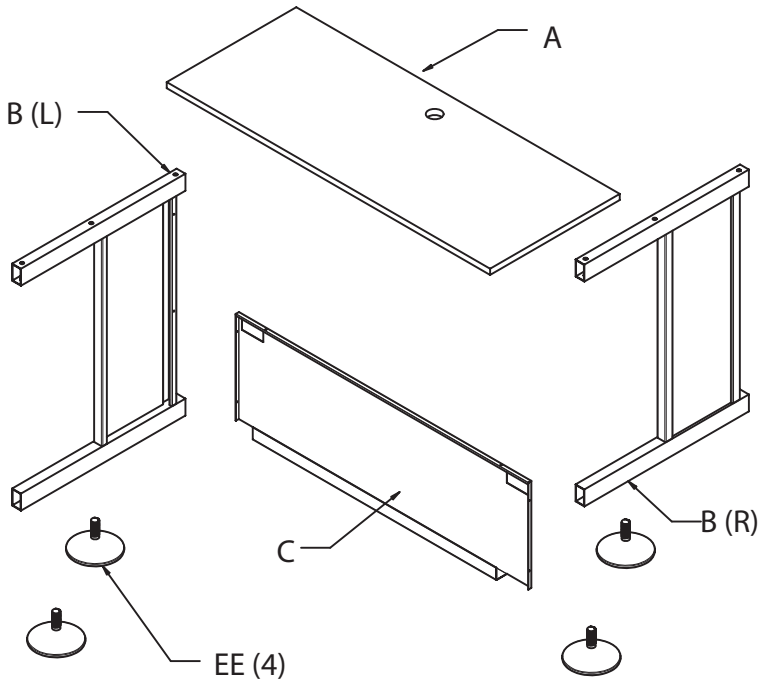
CC (6) Washer with spring



DD (4) Serew ST4.8x13



EE (4) Feet



Step 1

Lay the wooden panel A on a level surface. Use packaging material to protect the finish. Attach A and B(R,L) using 6 bolts AA, 6 washers with spring CC and 6 washers BB. See Fig (a).

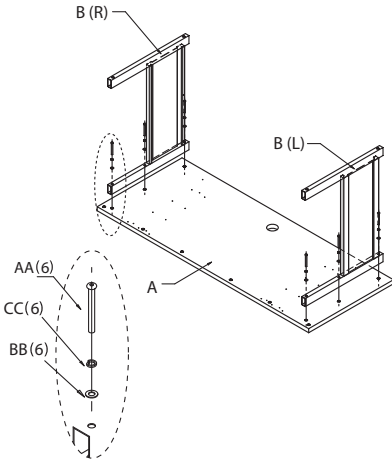


Fig (a)

Step 2

Attach C to B(R), B(L) and A, using 6 screws DD. See Fig (b).

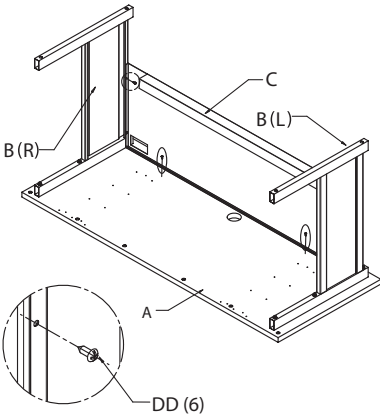


Fig (b)

Step 3

Attach the feet EE. See Fig (c).

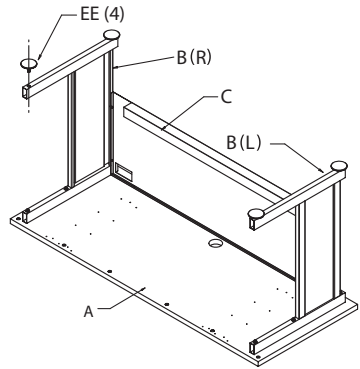


Fig (c)