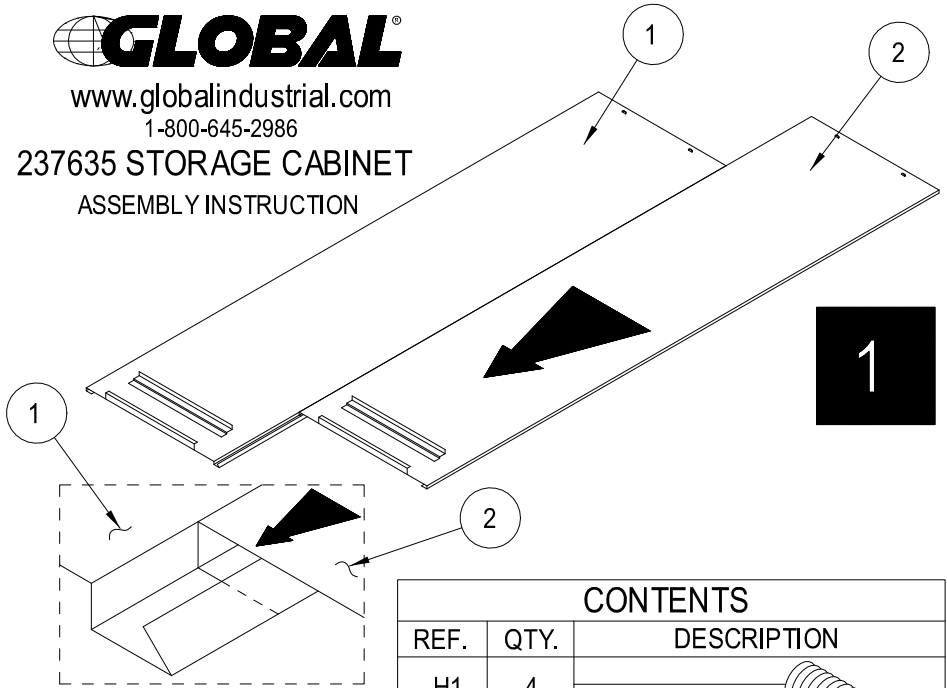
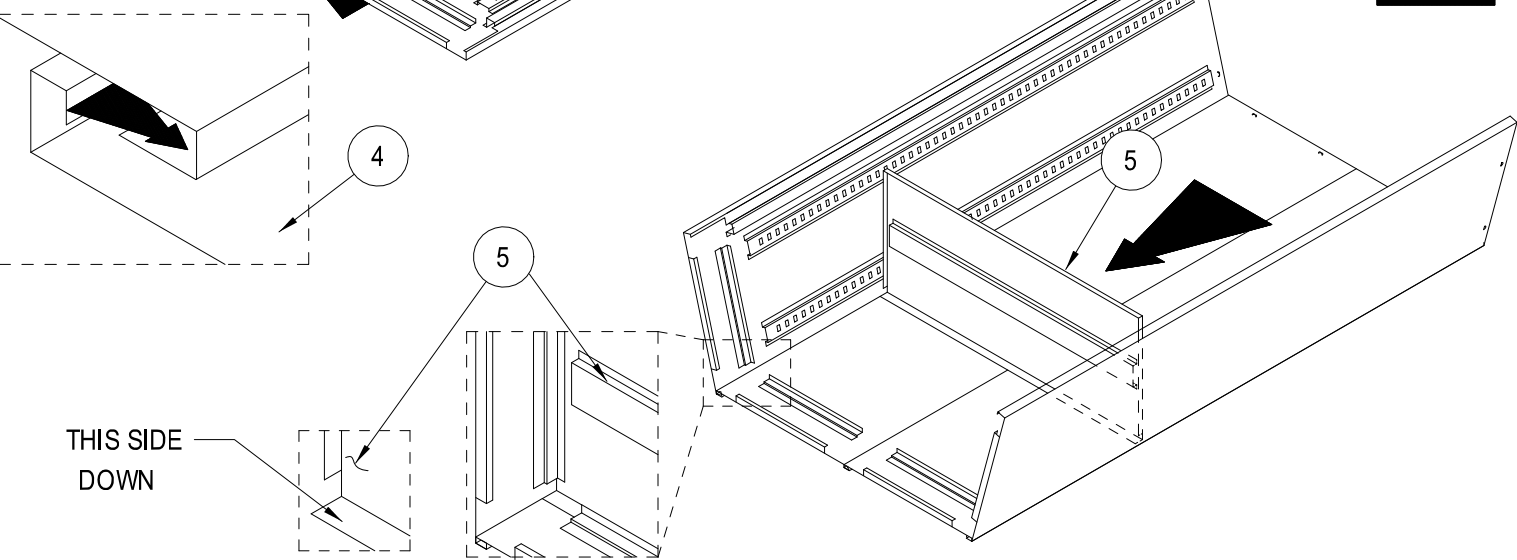
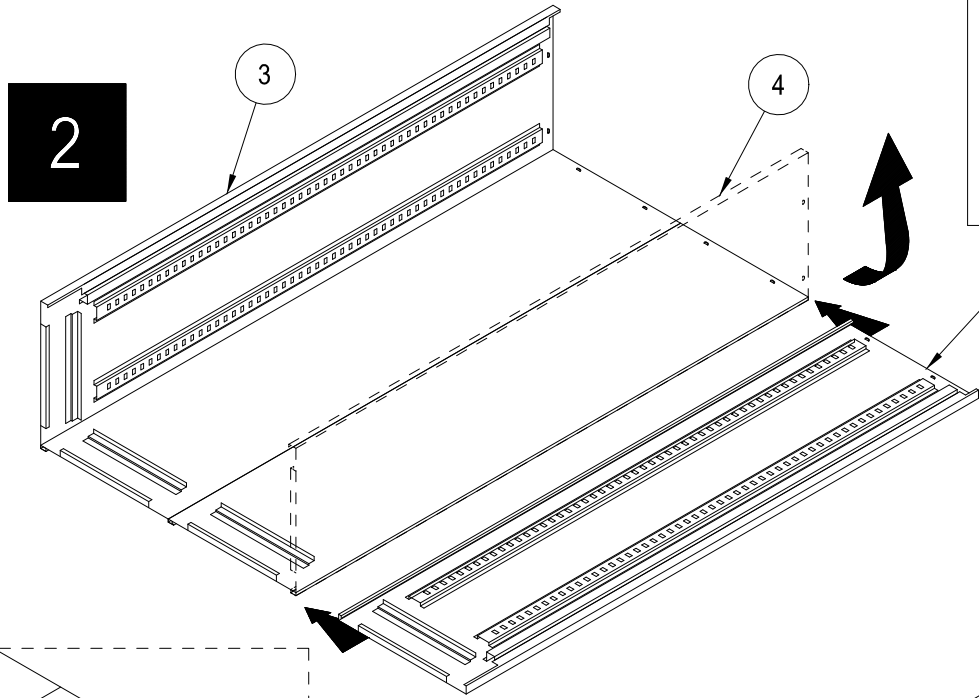


CONTENTS		
REF.	QTY.	DESCRIPTION
1	1	LEFT BACK PANEL
2	1	RIGHT BACK PANEL
3	1	LEFT SIDE PANEL
4	1	RIGHT SIDE PANEL
5	1	LOWER SUPPORT SHELF
6	1	BOTTOM STIFFENER
7	1	TOP STIFFENER
8	1	TOP
9	1	LEFT DOOR
10	1	RIGHT DOOR
11	3	SHELF

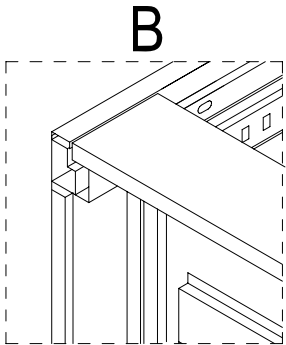
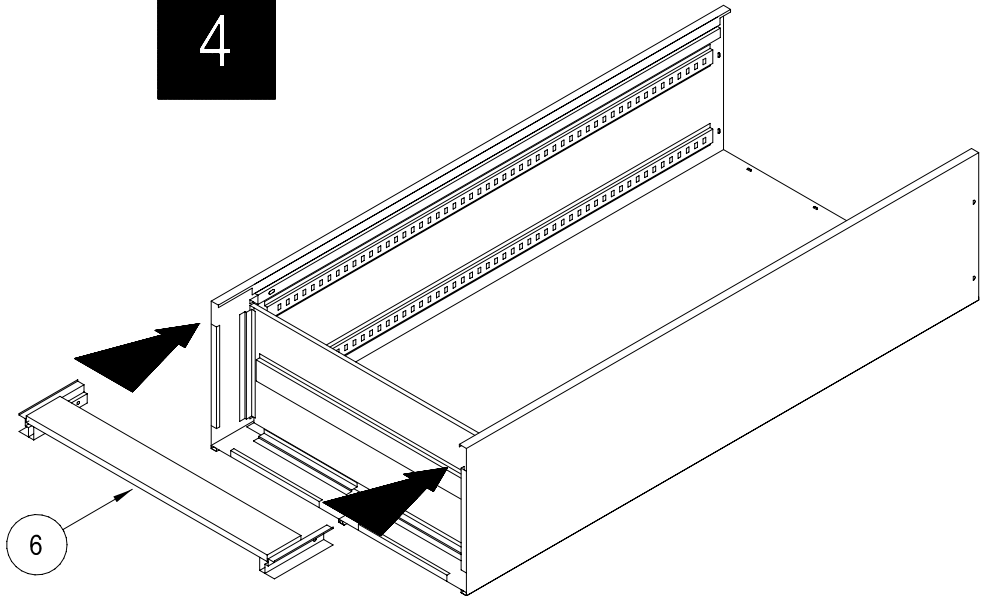
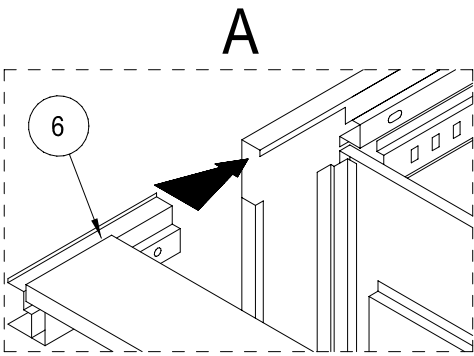


CONTENTS		
REF.	QTY.	DESCRIPTION
H1	4	
H2	4	
H3	4	
H4	12	

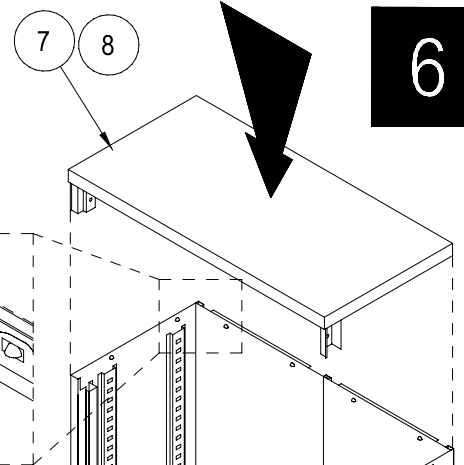


THIS SIDE DOWN

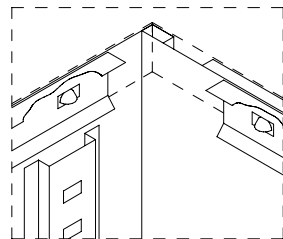
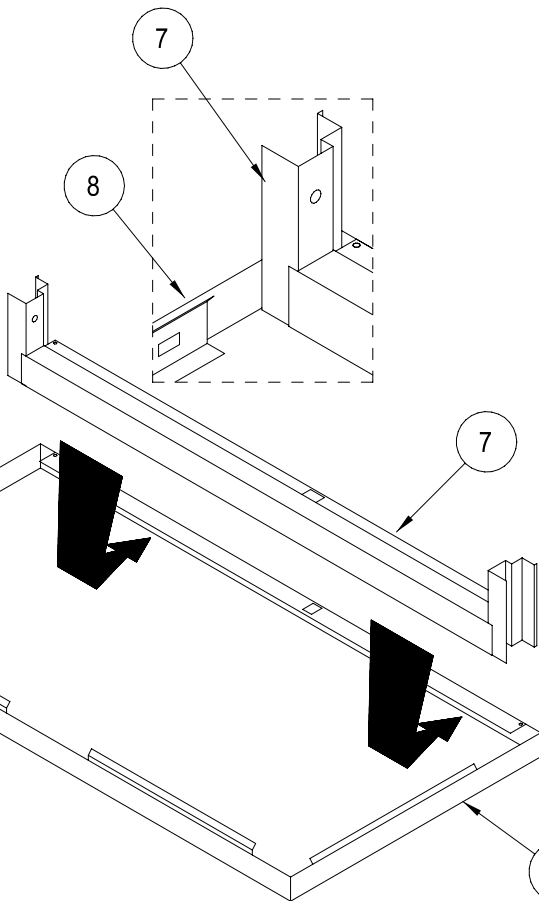
4



6

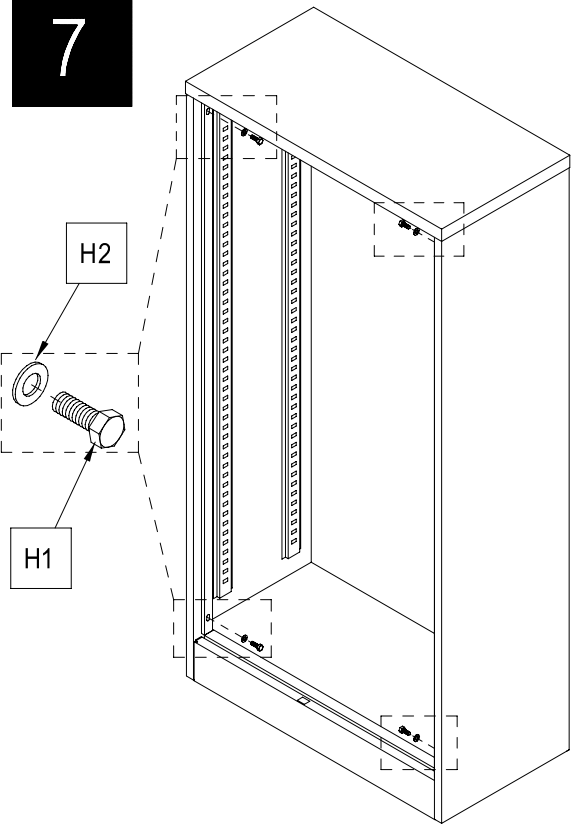


5

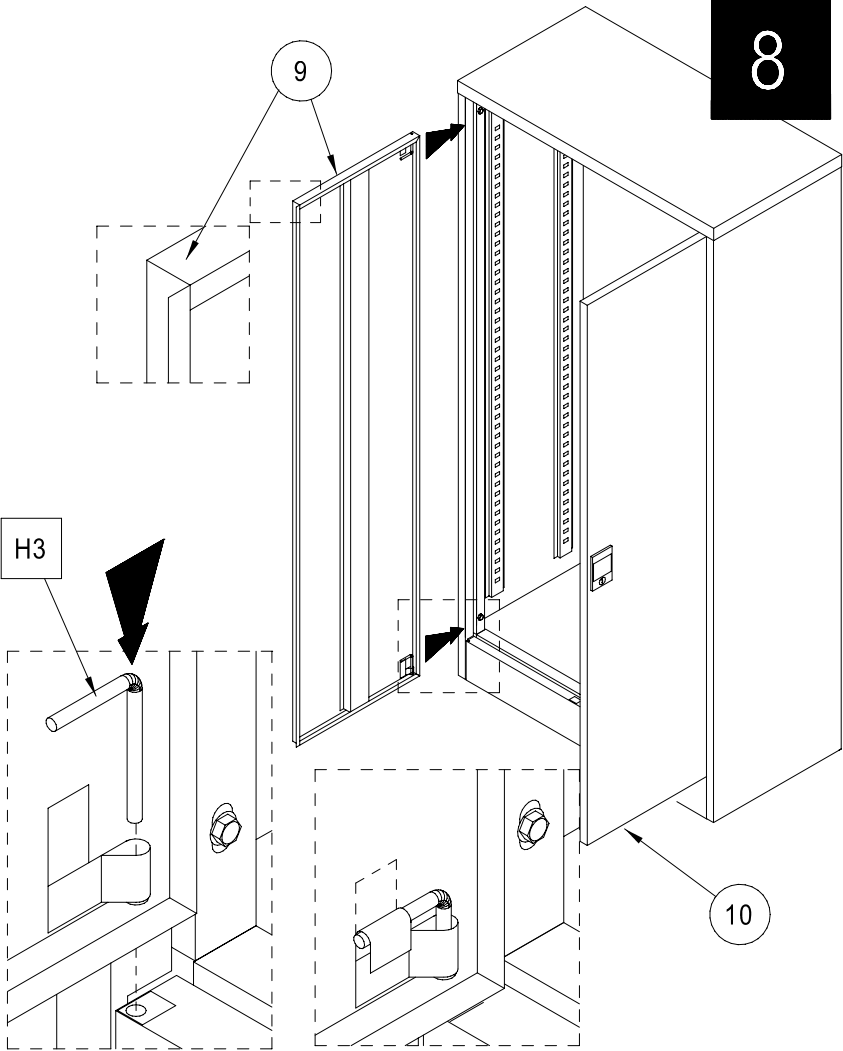


8

7



8



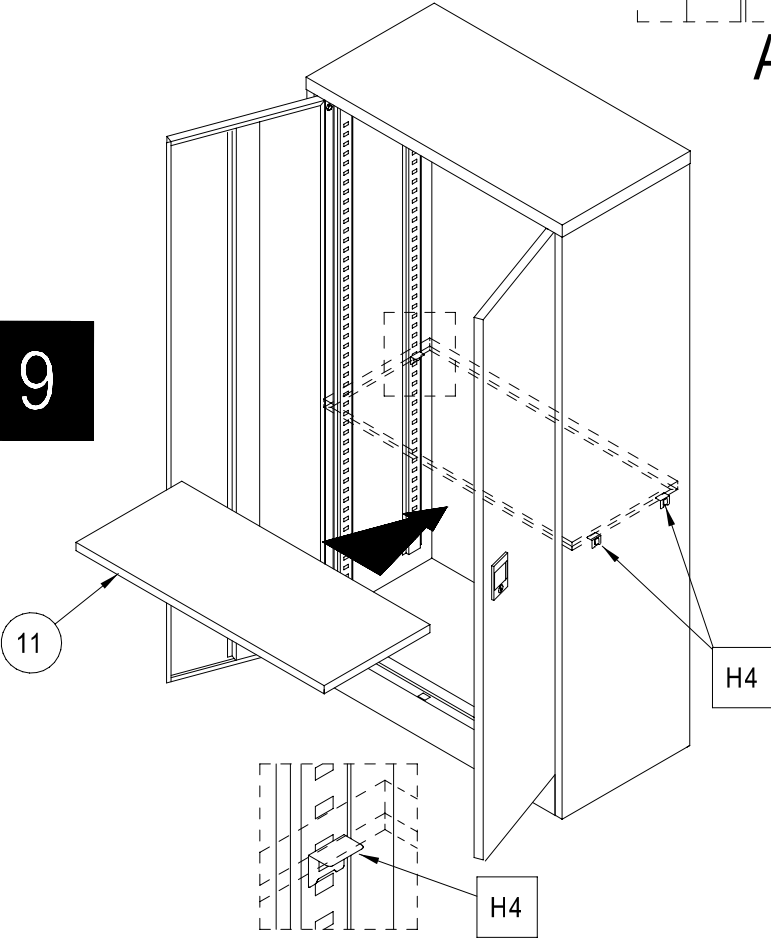
H3

A

B

10

9



11

H4

H4

10

