



GLOBAL INDUSTRIAL™

We can supply that.®

User's manual

Manual del usuario

Manuel de l'utilisateur

Customer Service
US: 1-800-645-2986

Servicio de atención al Cliente
US: 1-800-645-2986

Service à la clientèle
Canada: 888-645-2986

BEFORE YOU BEGIN

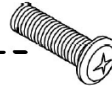


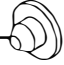
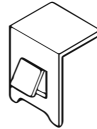



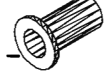


Scan for easy 3D instructions
Download the BILT app before you begin



Storage Cabinet
Model 237635

CONTENTS

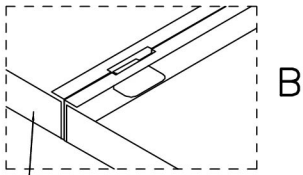
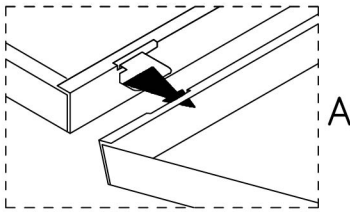
REF	QTY	DESCRIPTION	REF	QTY	DESCRIPTION
1	1	LEFT SIDE BACK PANEL	H1	4	M6X19mm ROUND PHILLIP HEAD SCREW 
2	1	RIGHT SIDE BACK PANEL	H2	4	6.5mm PLATE WASHER 
3	1	LEFT SIDE PANEL	H3	4	6.5mm SPLIT WASHER 
4	1	RIGHT SIDE PANEL	H4	2	BUMPER 
5	1	INNER SUPPORT BAR	H5	16	SHELF CLIP 
6	1	OUTER SUPPORT BAR	H6	4	PLASTIC INSERT 
	1	BASE	H7	2	KEY 
8	1	TOP	H8	4	DOOR AXIS 
9	1	LEFT DOOR	H9	4	Door Nut 
10	1	RIGHT DOOR			
11	4	SHELF			



WARNING

- 1.USE 2 PEOPLE TO ASSEMBLE.
- 2.LAY PARTS ON SOFT SMOOTH NON-SCRATCH SURFACE.
- 3.DO NOT OVERLOAD SHELVES.
- 4.LOAD LOWER SHELF FIRST.
- 5.DO NOT CLIMB OR STAND ON SHELVES.

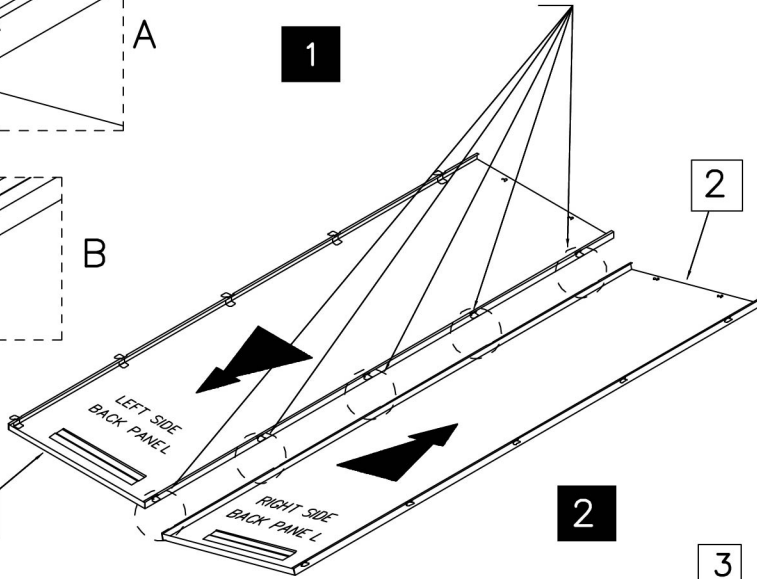
SEE DETAIL A and B



1

1

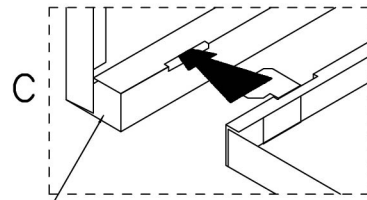
1



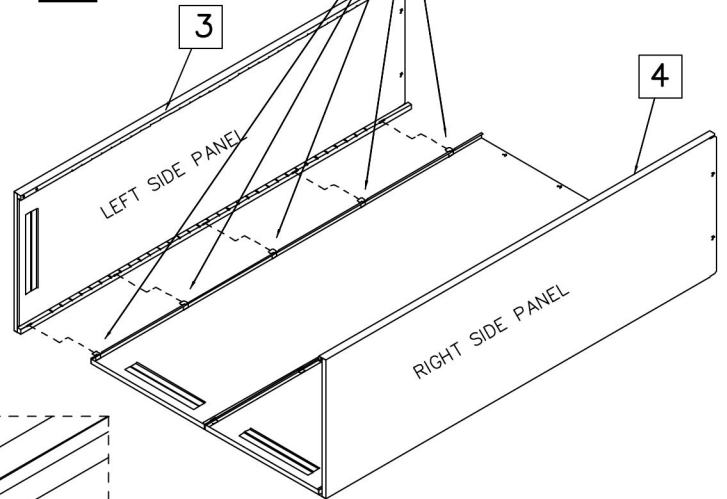
2

2

SEE DETAIL C and D

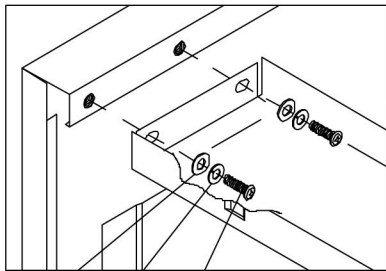
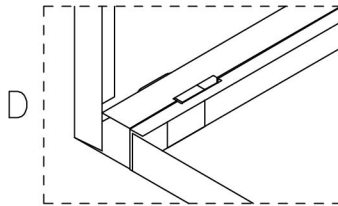


3



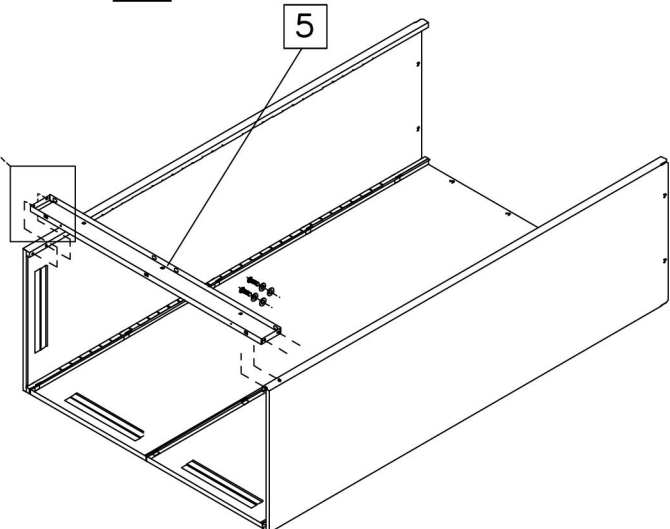
3

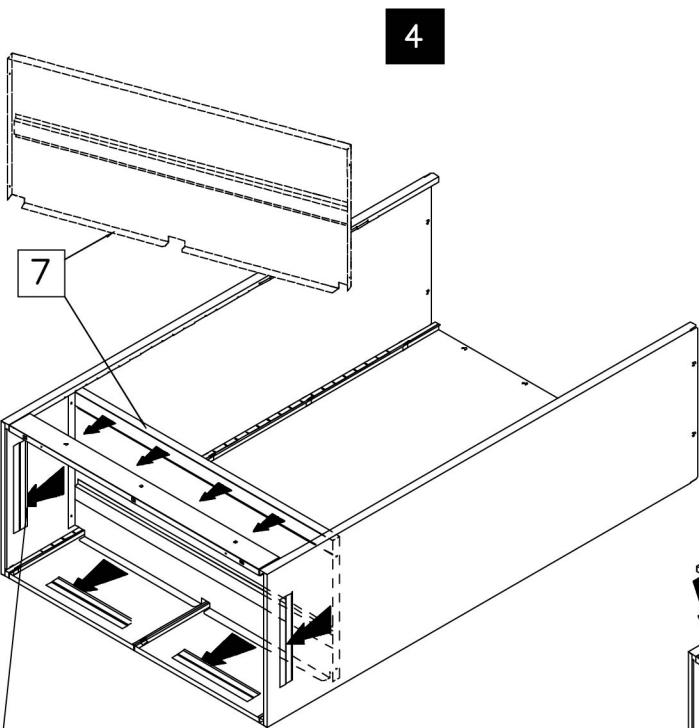
4



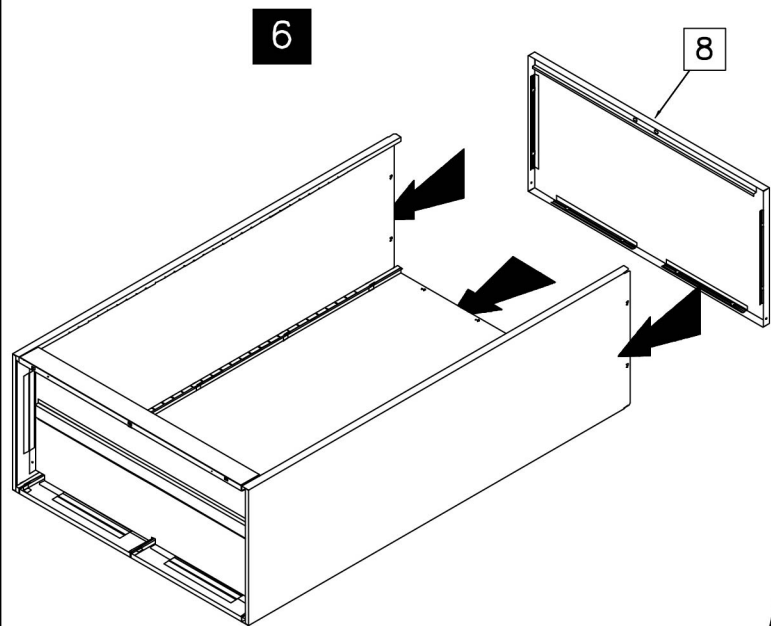
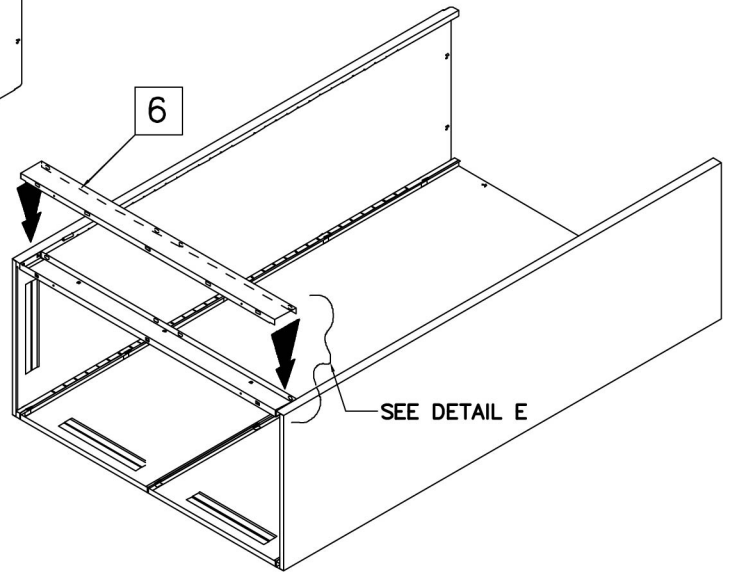
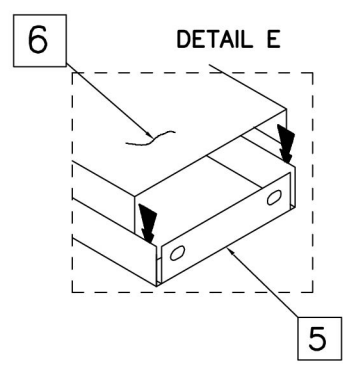
3

5

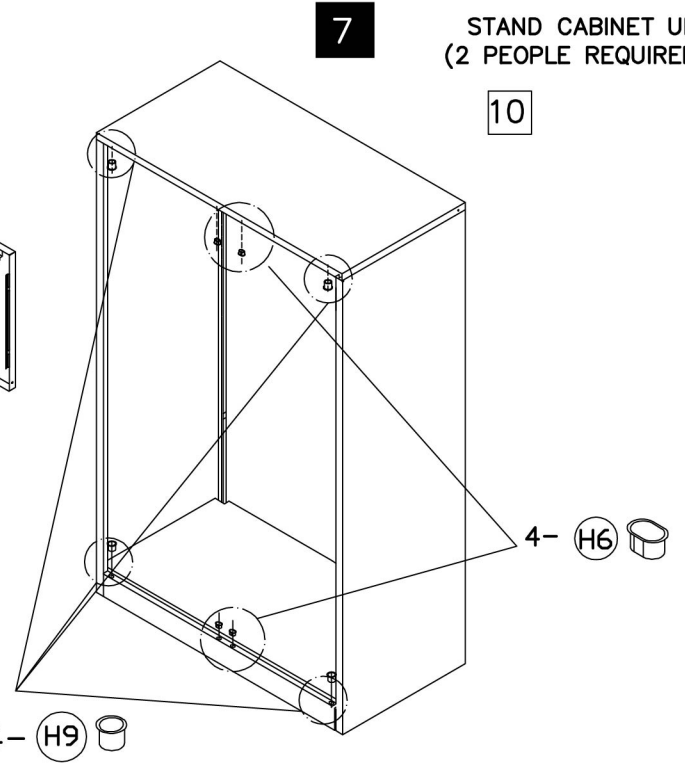




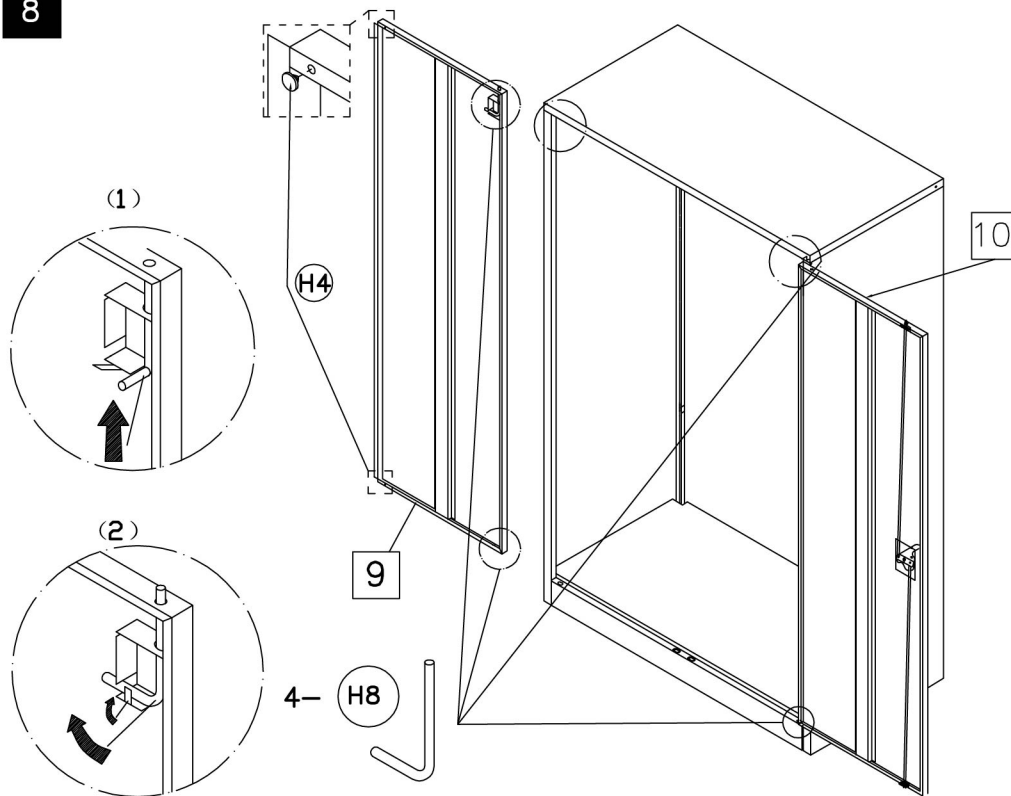
NOTE:
FULLY SEAT BOTTOM SHELF
EDGE BEHIND Z-CHANNELS



STAND CABINET UP.
(2 PEOPLE REQUIRED)



8



9

16- H5

SEE DETAIL F and G

