

interion[®]

globalindustrial.com
1.800.645.1232

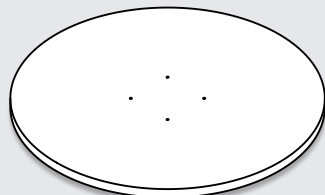
ASSEMBLY INSTRUCTIONS

Restaurant & Lunchroom Tables

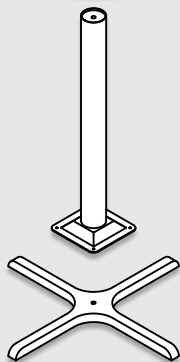
Models: 695670, 695671, 695672, 695673, 695674 & 695675

Add Color Suffix: MH (Mahogany), OK (Oak), GY (Gray), CL (Charcoal)

TABLE COMPONENTS



Tabletop



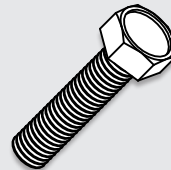
Support Pole

Table Base

INCLUDED HARDWARE



4x Screws

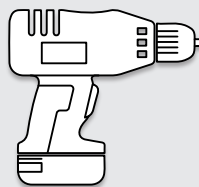


1x Bolt



1x Washer

TOOLS FOR ASSEMBLY

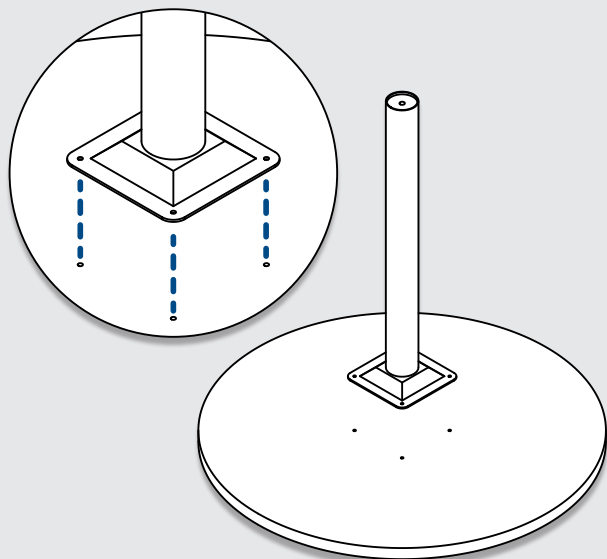


Drill

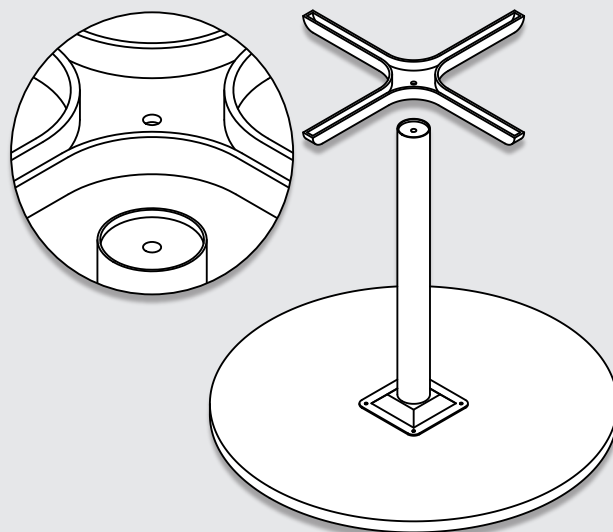


Wrench

- 1** Install Table support pole to the pre-marked holes on the tabletop using the 4 included screws.



- 2** Install the table base to the table support pole using the included bolt and washer.



- 3** If your table came with two poles and bases then repeat steps 1 and 2. Once completed, turn your table over.

Congratulations, your table is now assembled and ready to be used!