

User Manual

Manual de Usuario

Manuel de l'Utilisateur

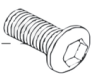


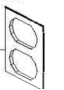
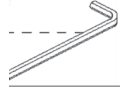
Customer Service
US: 1-800-645-2986

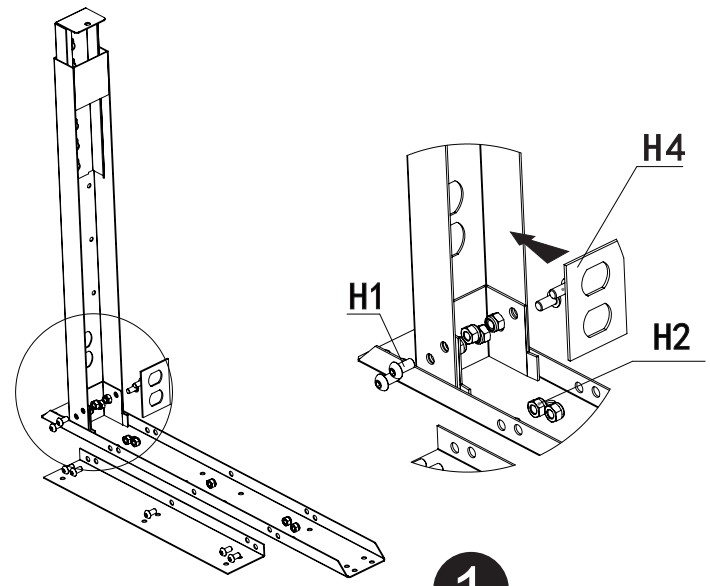
Servicio de atención al Cliente
US: 1-800-645-2986

Service à la clientèle
Canada: 888-645-2986

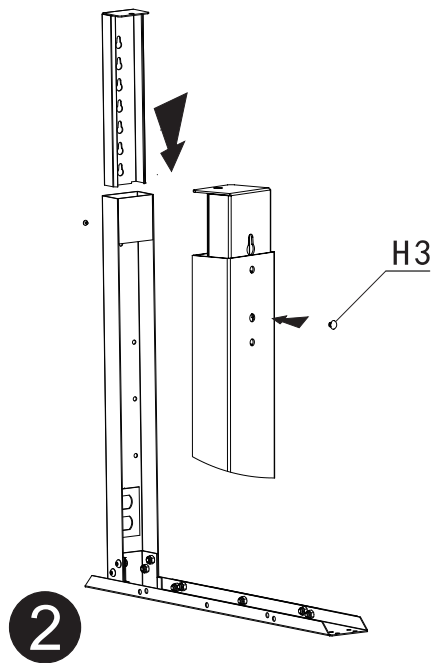
Adjustable Height Steel C-Channel L-Shaped Return One Leg & Connector, Gray

Model: 249507H

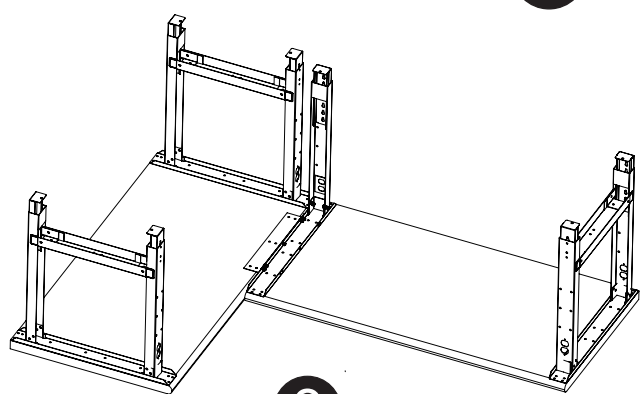
REF	Item	QTY
H1		9
H2		9
H3		1
H4		1
Allen Key		1



1



2



3

Warning

- Assembly and installation of equipment should be performed by 2 people.
- Workers should use OSHA approved safety and lifting equipment.

Warning

- Ensure that the bench is installed on a level surface.
- Ensure surface is of a strong material, preferably concrete.
- Use proper mounting hardware.

Warning

- Do not climb on, under or through tables and benches.
- Two people required to move tables and benches.
- Do not use if any parts of bench or table are broken or damaged.
- Inspect and tighten hardware every six months.
- Replace rusted hardware and damaged components.