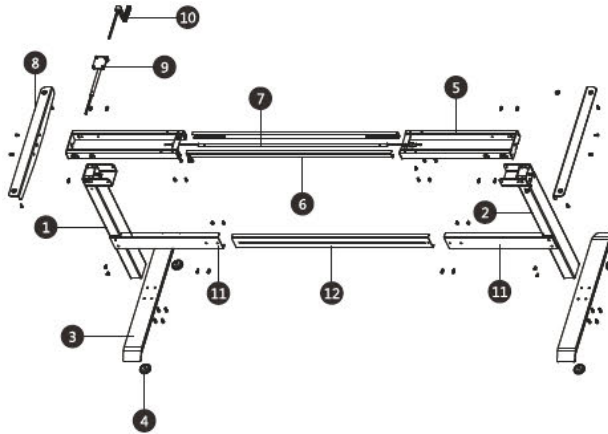
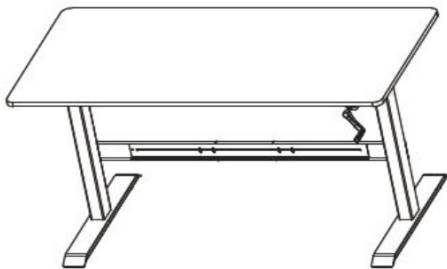


User's manual	Manual del usuario	Manuel de l'utilisateur
Customer Service US: 1-800-645-2986	Servicio de atención al Cliente US: 1-800-645-2986	Service à la clientèle Canada: 888-645-2986

Frame and Leg Kit for 48/60/72 Manual Hand Crank Adjustable Workbench - Black

Frame & Leg Kit Model: 493780BK



No.	Description	Qty
1.	Leg	1
2.	Leg	1
3.	Foot	2
4.	Glide	4
5.	Crossbar Ends	2
6.	Center Rails	2
7.	Rotating Bar	1
8.	Side Brackets	2
9.	Handle Holder	1
10.	Handlebar	1
11.	Short Rungs	2
12.	Long Rung	1
21.	Machine Screws M6x10	24
22.	Machine Screws M6x16	8
23.	Wood Screws M5x16	10
24.	Machine Screws M4x6	4
25.	Furniture Screws M6x10	4
26.	Butterfly Nut M6	4

Tools Needed

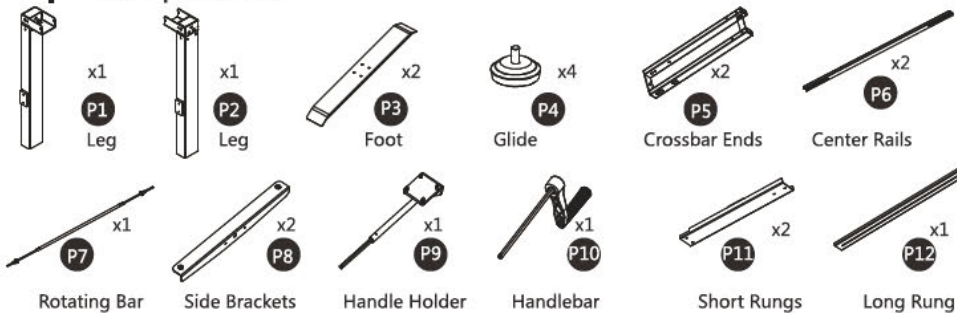
- 2mm Allen Wrench (Included)
- 4mm Allen Wrench (Included)
- 5mm Allen Wrench (Included)



Caution:

- Requires 2 people for assembly.
- Ensure you are using proper PPE such as glove, steel toe boots, safety glasses.
- Perform regular inspections on the hardware by checking their tightness every 4 months.
- If table height isn't adjusting, remove items off table and inspect. Do not force adjustment.

Components

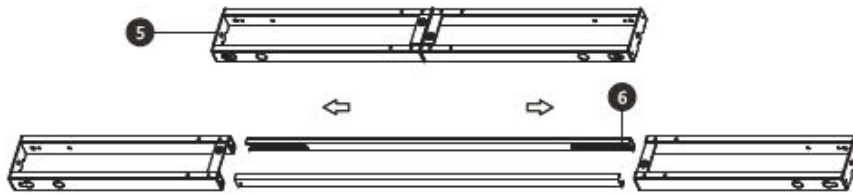


Hardware

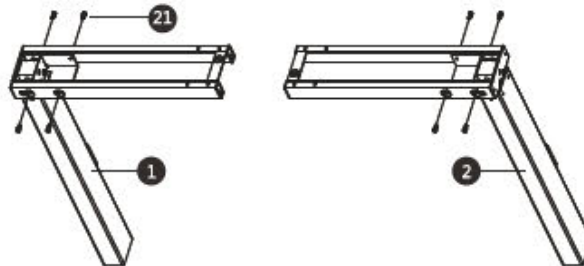


Hand Crank Adjustable Workbench

1) Lay out all components and hardware to ensure that you have all the components and hardware. Fully separate the Crossbar ends (Ref 5). You will find the Crossbar Center Rails (Ref 6) Inside.

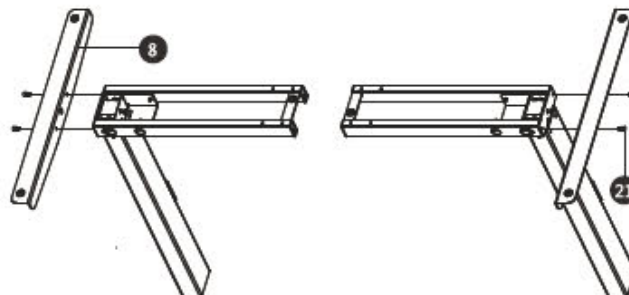


2) Prop up the assemblies from Step 1 As shown. Insert x4 M6*10 machine screws (Ref 21) through the holes of each Crossbar End (Ref 5) going into the Leg (Ref 1) and tighten the screws. Then connect the other Leg (Ref 2) with the other Crossbar End (Ref 5) in the same way.

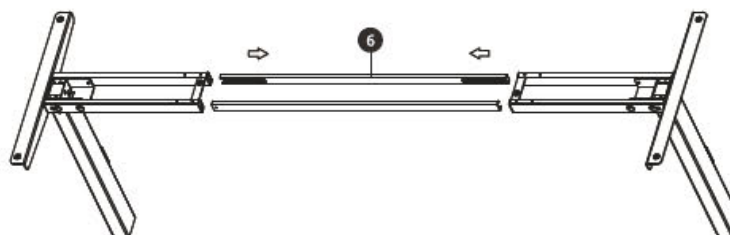


3) Attach the Side Brackets (Ref 8) to the assemblies from Step 2, as shown. Insert two M6*10 Machine Screws (Ref 21) through the two holes of the Side Bracket (Ref 8) going into the Crossbar End/Leg Assembly.

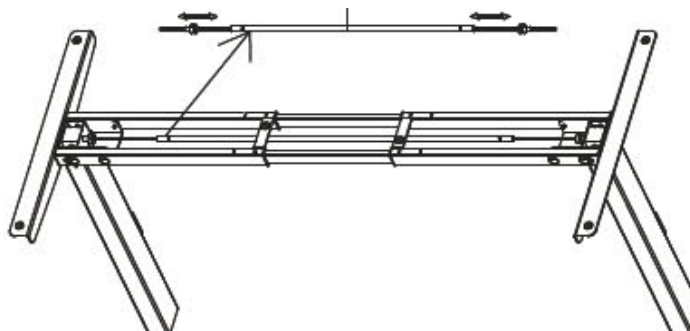
Repeat Step 3 with the other assemblies.



4) Slide the two Crossbar Center Rails (Ref 6) into the two Crossbar Ends (Ref 5)



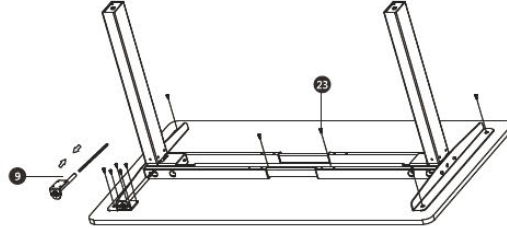
5) Put the Rotating Bar (Ref 7) into the assemblies from step 4.



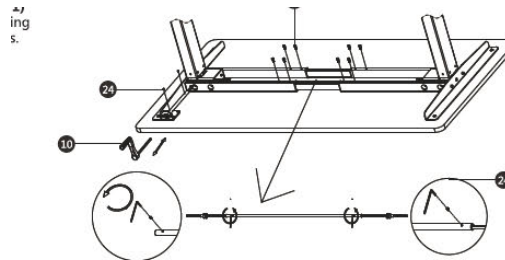
Hand Crank Adjustable Workbench

6) Place the table under the accessories and place it in the correct position. Then attach the Handle Holder (Ref 9) to the Table Board with x4 M5*16 wood screws (Ref 23) and tighten them.

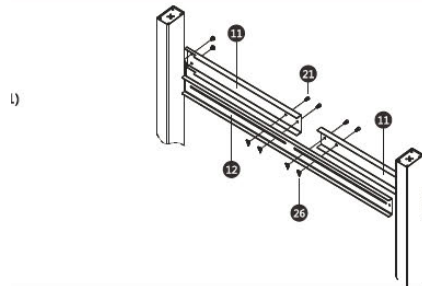
Then connect the Table Board to the desk frame with x6 M5*16 wood screws (Ref 23) and tighten them.



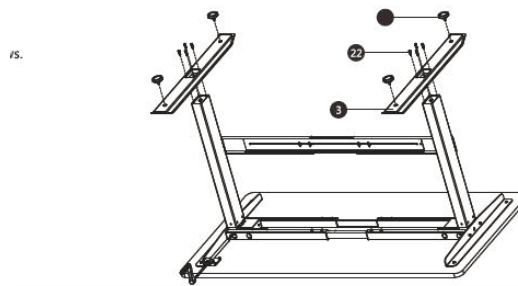
7) Please insert 8 M6*10 machine screws (Ref 21) through the holes in each crossbar end (Ref 5) going into the Center Rails (Ref 6) and tighten the screws. Then insert x2 M4*6 machine screws (Ref 24) into the Rotating Bar (Ref 7) and tighten as shown. Insert the Handlebar (Ref 10) into the Handle Holder (Ref 9). Then insert x2 M4*6 machine screws (Ref 24) into the Handle Holder (Ref 9) and tighten them.



8) Attach the Short Rungs (Ref 11) to the Leg with x4 M6*10 Furniture Screws (Ref 25). Then attach the Long Rung (Ref 12) to the Short Rungs (Ref 11) with x4 M6*16 Machine Screws (Ref 21) and x4 Butterfly Nut M6 (Ref 26).



9) Attach a foot (Ref 3) with x4 M6*16 machine screws (Ref 22) into each Leg and tighten screws. Connect x2 glides (Ref 4) together into each foot,



10) Turn the table over.