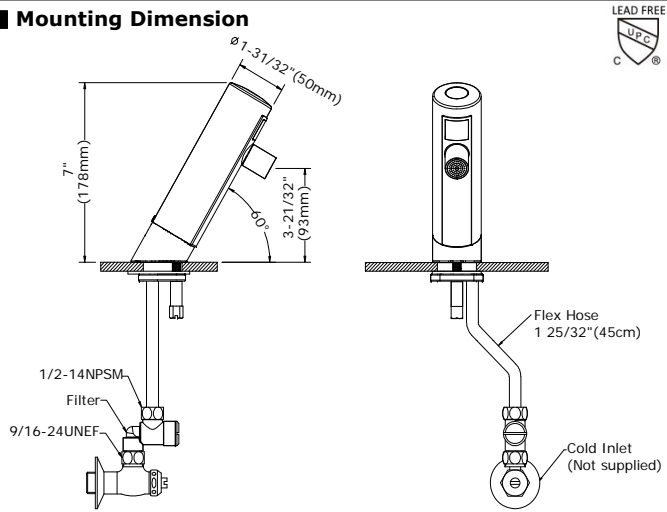


Installation Instruction for 761206

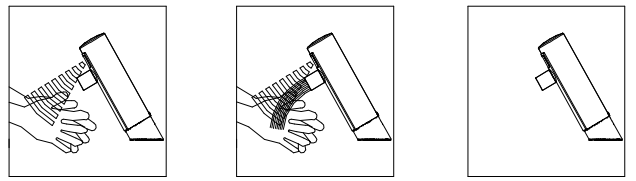
Mounting Dimension



Specification

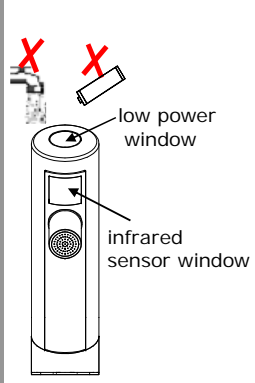
Model	761206
Product	Deck mounted Sensor Faucet
Material	Chrome-plated brass casting
Power Apply	(4) AA batteries (included)
Power Consumption	3W
Infrared Sensor Range (Fixed)	19/32" (15cm)
Protection	Automatic flow stop after 1 minute
Delay Time	0.5 - 1.0 seconds
Applicable water pressure	10-100 PSI (0.5~ 6Kgf/cm²)
Flowing volume	1.0GPM (3.8L/min) MAX
Applicable water temperature	39°F~ 185°F (4°C ~ 85°C)
Ceramic Bore Diameter	1-1/8" MIN (28Φ~ 45Φ)

Operation



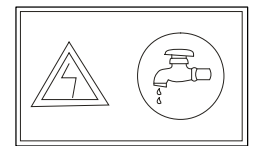
1. Activate faucet by placing hands in front of the sensor.
2. The solenoid valve will activate and water will flow from the spout.
3. Once hands are removed, the faucet will automatically shut-off; after roughly 1 second.

Caution

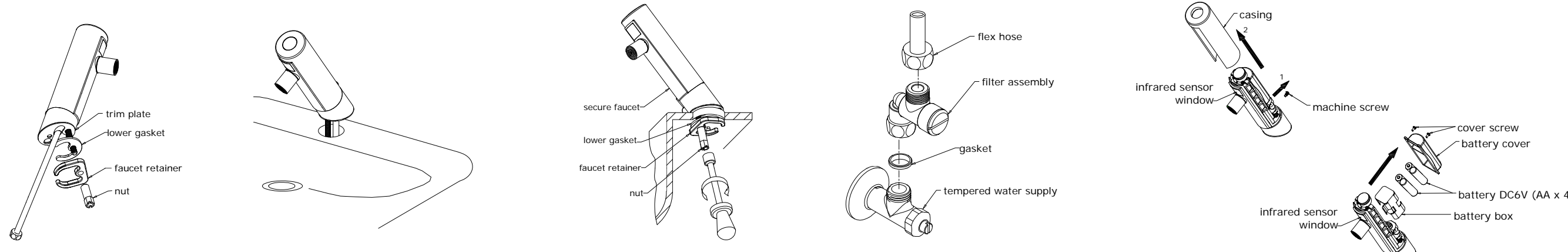


1. All plumbing to be installed by certified personnel and must be in accordance with applicable codes and regulations.
2. Flush all water lines prior to installation.
3. Keep infrared sensor window clean at all times. Dirt and dust can cause sensor failure.
4. Do not directly spray water on or use abrasive/chemicals when cleaning the faucet. Use soap and a small amount of water, then wipe dry with a clean cloth.
5. Clean the filter regularly to avoid reduced water flow. This can be done as frequently as once every 3-6 months, depending on use and water quality.
6. The battery LED indicator will flash when battery power is low. Replace with (4) AA batteries when needed.

Installation Steps



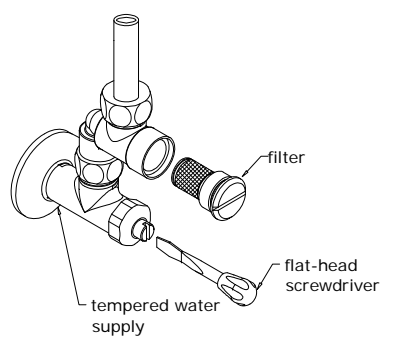
Note : Flush water lines prior to installation to ensure there are no obstructions.



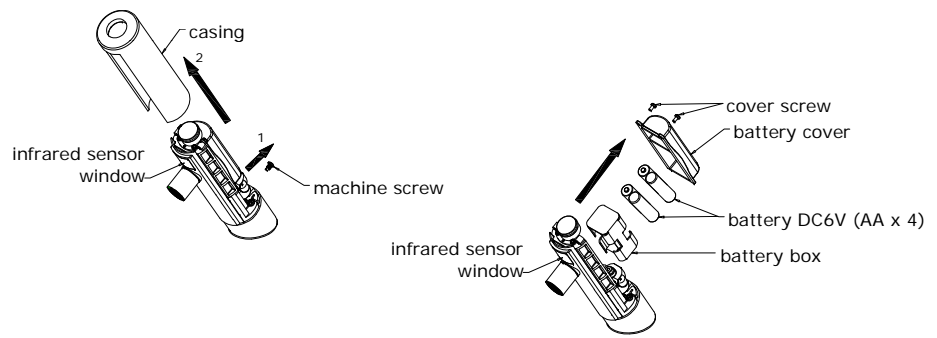
- (1) Remove nut, faucet retainer and lower gasket; keep trim plate attached.
- (2) Secure faucet and trim plate on the top surface of the sink's hole.
- (3) Firmly attach the faucet onto the sink using a wrench.
- (4) Flush tempered water supply free of any miscellaneous particles.
 - a. Attach gasket to the tempered water supply and connect filter assembly. Tighten using a wrench.
 - b. Fasten the flex hose onto the outlet of the filter assembly.
- (5) Remove casing, battery cover and battery box
 - a. Install (4) AA batteries.
 - b. Secure battery box and casing in opposite sequence.
 - c. Turn on tempered water supply and adjust to proper flow.

Clean filter and flow adjustment

Battery replacement



1. Bad water quality or flow decline can be a result of filter obstruction. Turn off the tempered water supply using a flat-head screwdriver, and remove the filter for cleaning.
2. Adjust proper flow by using a flat-head screwdriver.



- Replacing Batteries**
The Battery LED indicator will flash when battery power is low. Replace with (4) new AA batteries when needed.
- a. Use an allen key to remove the machine screw from the faucet's casing. Then remove casing.
 - b. Access battery box by removing battery cover screws and cover.
 - c. Replace with (4) new AA batteries.
 - d. Resecure battery box and casing doing opposite sequence.
 - e. Refasten machine screw using allen key.

Troubleshooting

Situation	Possible Cause	Solution
No function (LED flashes)	1. dirty infrared window	Clean infrared sensor window
	2. low battery	replace battery
No function (No LED flashes)	1. low battery	replace battery
	2. control circuit failure	replace circuit
No function (LED flashes when using)	1. water supply is turned off	check for water supply
	2. solenoid valve connector is loose	reconnect its connector
	3. solenoid valve failure	replace solenoid valve
	4. control circuit failure	replace control circuit
Water continuously running	1. dirty infrared window	Clean infrared sensor window
	2. solenoid valve failure	replace solenoid valve or clean diaphragm
Low flow volume	1. low water supply	increase water supply
	2. filter obstructed	clean filter
	3. aerator obstructed	clean aerator
Water flow too weak	1. dirty infrared window	Clean infrared sensor window

Parts Breakdown

