



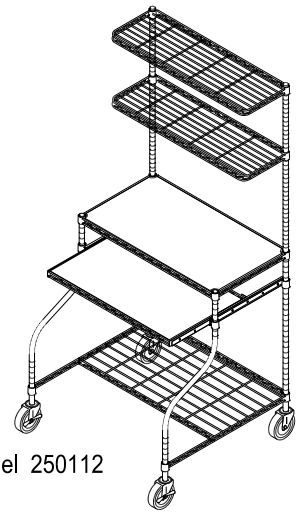
1-800-645-2986
www.nexelwire.com

MOBILE COMPUTER WORKSTATION

ASSEMBLY INSTRUCTION

CONTENTS

REF.	QTY.	DESCRIPTION	REF.	QTY.	DESCRIPTION
1	2	FRONT LEG			
2	2	REAR LEG			
3	1	LOWER SHELF	H1	32	
4	1	KEYBOARD TRAY			
5	1	WORK SURFACE TRAY	H2	2	
6	2	UPPER SHELF			
7	1	WORK SURFACE	H3	2	
8	1	KEYBOARD SURFACE			



Model 250112

