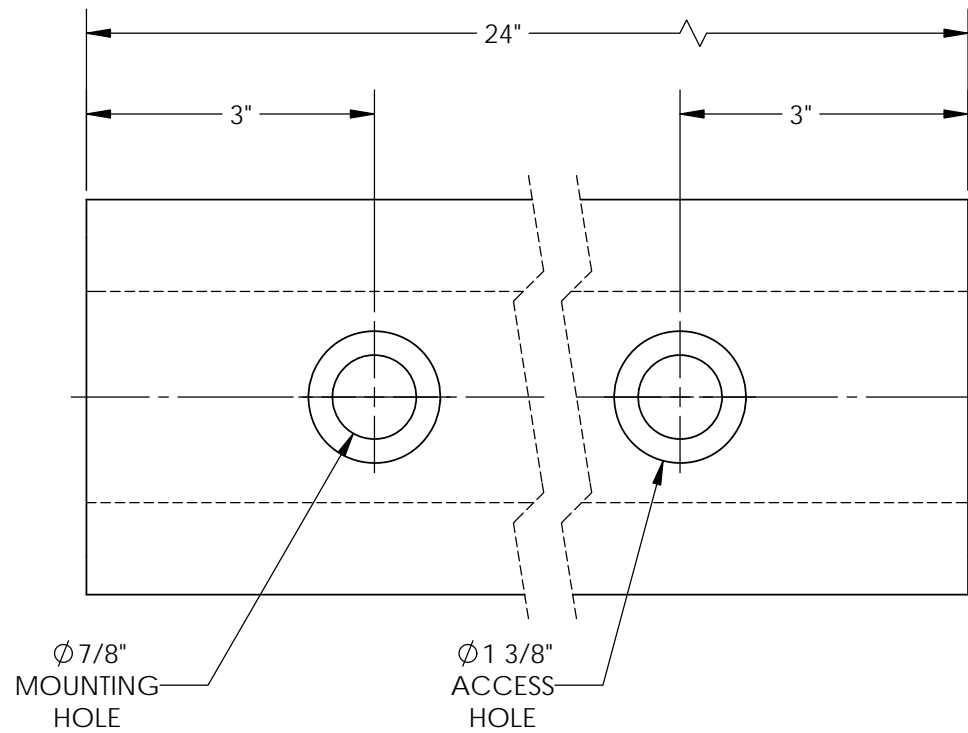
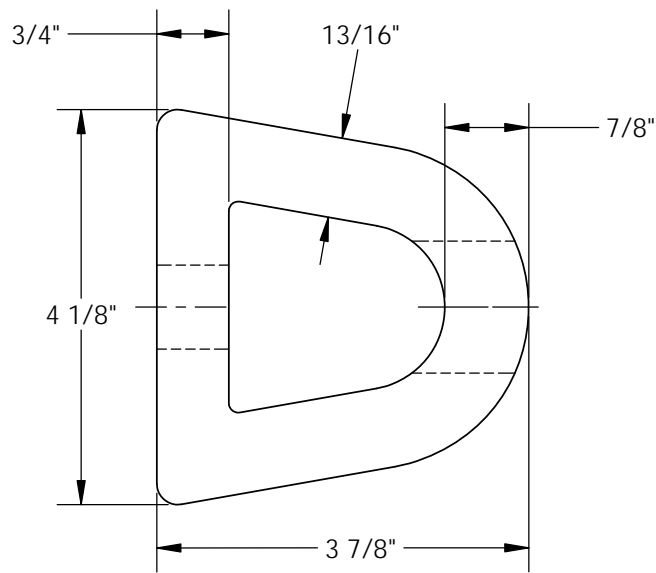


# EXTRUDED RUBBER BUMPER - M-4-24

APPROX WEIGHT: 7.56 lbs.  
 DOES NOT INCLUDE WEIGHT OF POWER OR PACKAGING!!!

\*\*\* ANY ADDITIONS, DELETIONS, OR OMISSIONS MUST BE CORRECTED ON THIS DRAWING AS THIS DRAWING WILL BE CONSIDERED ALL INCLUSIVE \*\*\*

ALL GRAPHICS PROVIDED ARE FOR REFERENCE ONLY. IF CERTAIN DIMENSIONS ARE CRITICAL PLEASE VERIFY THOSE DIMENSIONS WITH YOUR SALESPERSON



DIMENSION TOLERANCE ± 1/4"

## STANDARD FEATURES

- MODEL NUMBER IS M-4-24
- OVERALL WIDTH IS 4 1/8"
- OVERALL LENGTH IS 24"
- OVERALL HEIGHT IS 3 7/8"
- NUMBER OF MOUNTING HOLES 2
- MOUNTING HOLE SIZE  $\phi 7/8$ "
- ACCESS HOLE SIZE  $\phi 1 3/8$ "
- WEIGHT 11LBS.
- (2)-REINFORCEMENT PLATES INCLUDED
- SIZE: 1 5/8" x 6"

## SPECIAL FEATURES

NONE

**A P P R O V A L**

I, THE UNDERSIGNED, AGREE THAT THE PRODUCT AS REPRESENTED SATISFIES DESIGN AND DIMENSION REQUIREMENTS. I ALSO ACKNOWLEDGE MY DUTY TO CONFIRM PRODUCT AND INSTALLATION COMPLIANCE WITH ALL APPLICABLE FEDERAL, STATE AND LOCAL REGULATIONS AND STANDARDS.

**ALL SPECIAL UNITS ARE NON-RETURNABLE**

[ ] As drawn [ ] As marked

Signed: \_\_\_\_\_ Date: \_\_\_\_\_

**LEAD TIME WILL START UPON RECEIPT OF SIGNED APPROVAL DRAWING**

FOR INTERNAL USE ONLY PROJECT SIGN OFF	
SALES	
ENG.	
FAB.	
POWER	

DISTRIBUTOR'S NAME:		P.O.#
VESTIL MANUFACTURING		X
W.O.#		X
DRAWN BY:	DATE:	SALES:
RPS	08/28/2012	X
REFERENCE:	SCALE: 1:2	FILE NAME:
X		29-007-076
QUOTED LEAD TIME:	QUOTE #	
X	X	