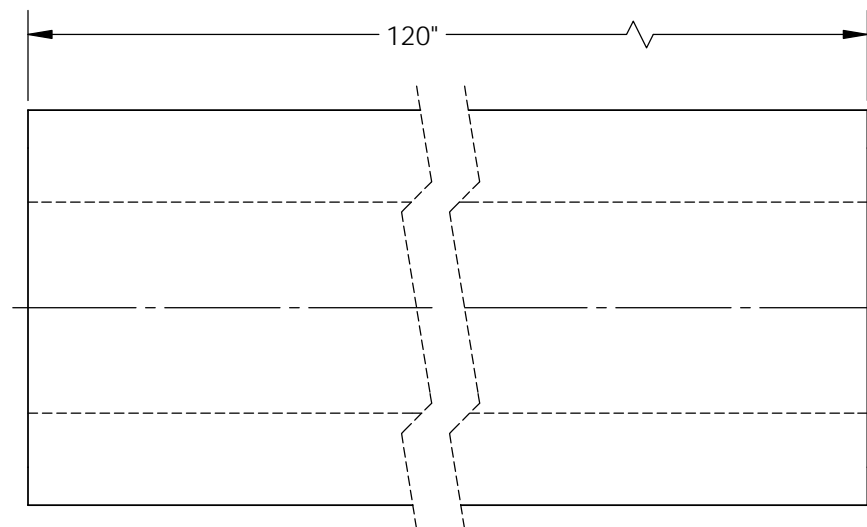
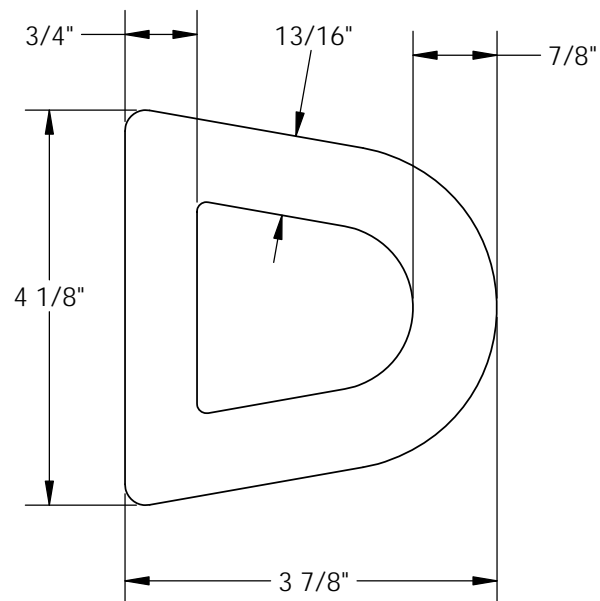


# EXTRUDED RUBBER BUMPER (NO HOLES) - M-4-120

APPROX WEIGHT: 38.43 lbs.  
 DOES NOT INCLUDE WEIGHT OF POWER OR PACKAGING!!!

\*\*\* ANY ADDITIONS, DELETIONS, OR OMISSIONS MUST BE CORRECTED ON THIS DRAWING AS THIS DRAWING WILL BE CONSIDERED ALL INCLUSIVE \*\*\*

ALL GRAPHICS PROVIDED ARE FOR REFERENCE ONLY. IF CERTAIN DIMENSIONS ARE CRITICAL PLEASE VERIFY THOSE DIMENSIONS WITH YOUR SALESPERSON



NOTE: ACTUAL PART LENGTH MAYBE  
 -0"/+7"

DIMENSION TOLERANCE  $\pm 1/2$ "

## STANDARD FEATURES

- MODEL NUMBER IS M-4-120
- OVERALL WIDTH IS 4 1/8"
- OVERALL LENGTH IS 120"
- OVERALL HEIGHT IS 3 7/8"
- NUMBER OF MOUNTING HOLES 0

## SPECIAL FEATURES

NONE

APPROVAL	I, THE UNDERSIGNED, AGREE THAT THE PRODUCT AS REPRESENTED SATISFIES DESIGN AND DIMENSION REQUIREMENTS. I ALSO ACKNOWLEDGE MY DUTY TO CONFIRM PRODUCT AND INSTALLATION COMPLIANCE WITH ALL APPLICABLE FEDERAL, STATE AND LOCAL REGULATIONS AND STANDARDS. <b>ALL SPECIAL UNITS ARE NON-RETURNABLE</b> [ ] As drawn      [ ] As marked	
	Signed: _____ Date: _____ LEAD TIME WILL START UPON RECEIPT OF SIGNED APPROVAL DRAWING	

FOR INTERNAL USE ONLY PROJECT SIGN OFF	
SALES	
ENG.	
FAB.	
POWER	

DISTRIBUTOR'S NAME:		P.O.#
VESTIL MANUFACTURING		X
DRAWN BY:	DATE:	SALES:
RPS	08/28/2012	X
REFERENCE:	SCALE:	FILE NAME:
X	1:2	
QUOTED LEAD TIME:	QUOTE #	
X	X	29-007-159