

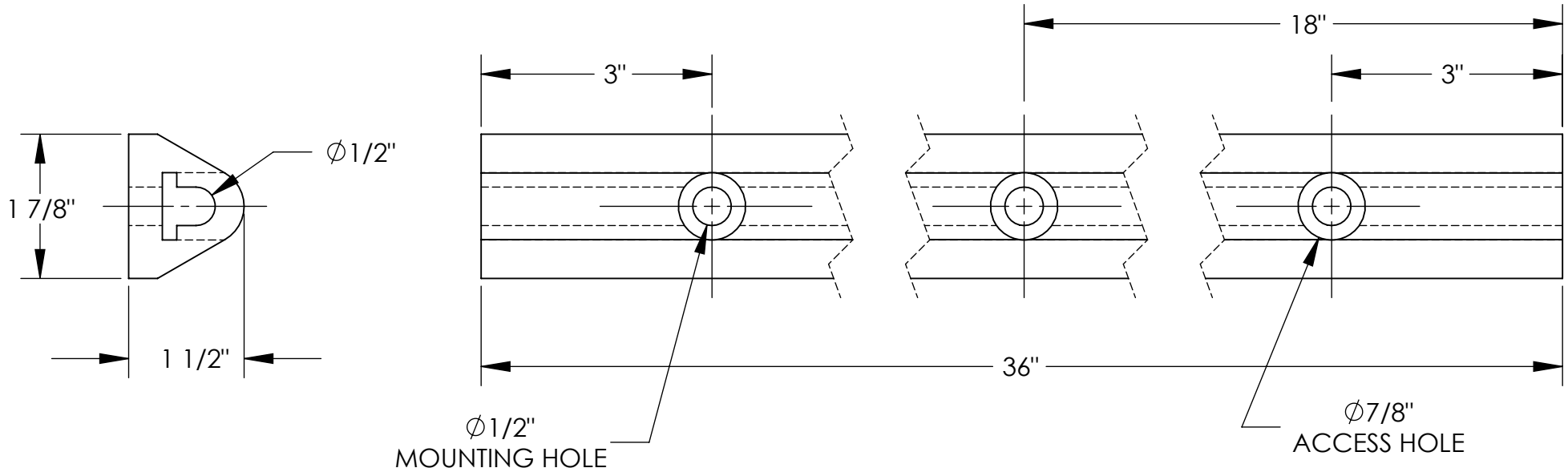
# EXTRUDED RUBBER BUMPER - M-2-36

APPROXIMATE WEIGHT IS: 2.13 lbs.

DURO METER READING OF 70 +/- 5  
 TENSIL: 1850 PSI  
 ELONGATION: 220%  
 TEAR STRENGTH: 229 LBS  
 IMPACT RESISTANCE: 75%

\*\*\* ANY ADDITIONS, DELETIONS, OR OMISSIONS  
 THIS DRAWING AS THIS DRAWING WILL BE CON

ALL GRAPHICS PROVIDED ARE FOR REFERENCE ONLY. IF CERTAIN  
 ARE CRITICAL PLEASE VERIFY THOSE DIMENSIONS WITH YOUR



## STANDARD FEATURES

MODEL NUMBER IS: M-2-36  
 OVERALL WIDTH IS: 1 7/8"  
 OVERALL LENGTH IS: 36"  
 OVERALL PROJECTION IS: 1 1/2"  
 NUMBER OF MOUNTING HOLES: 3  
 MOUNTING HOLE SIZE: Ø1/2"  
 ACCESS HOLE SIZE: Ø7/8"

## SPECIAL FEATURES

NONE

ALL SPECIAL UNITS  
 ARE NON-RETURNABLE

|          |  |                                    |
|----------|--|------------------------------------|
| APPROVAL | I, the undersigned, hereby approve this print.<br>This includes my approval of design & dimensions |                                    |
|          | <input type="checkbox"/> As drawn  | <input type="checkbox"/> As marked |
|          | Signed: _____ Date: _____  |                                    |
|          | LEAD TIME WILL START UPON RECEIPT<br>OF SIGNED APPROVAL DRAWING                                    |                                    |

|   |                 |                          |
|---|-----------------|--------------------------|
| DISTRIBUTOR'S NAME:<br>VESTIL MANUFACTURING |                 | P.O.#<br>X               |
| DRAWN BY:<br>JDB                            | DATE:<br>8/7/08 | W.O.#<br>X               |
| REFERENCE:<br>X                             | QUOTE #<br>X    | SALES:<br>X              |
|   |                 | FILE NAME:<br>29-007-101 |