

# LONG DECK CARTS Product Survey Sheet -LDLT-30120

Inquiry Date: \_\_\_\_\_ Due Date: \_\_\_\_\_

Contact: \_\_\_\_\_

Company: \_\_\_\_\_

Phone: \_\_\_\_\_

Fax: \_\_\_\_\_

E-mail: \_\_\_\_\_

**PLATFORM SIZE**

**Not Critical**

Overall Width: \_\_\_\_\_

\_\_\_\_\_

Overall Length: \_\_\_\_\_

\_\_\_\_\_

Usable Width: \_\_\_\_\_

\_\_\_\_\_

Usable Length: \_\_\_\_\_

\_\_\_\_\_

**BASE WIDTH**

**Not Critical**

Width: \_\_\_\_\_

\_\_\_\_\_

Length: \_\_\_\_\_

\_\_\_\_\_

**Travel:**

Lowered Ht.: \_\_\_\_\_

\_\_\_\_\_

Raised Ht.: \_\_\_\_\_

\_\_\_\_\_

Travel: \_\_\_\_\_

\_\_\_\_\_

**Table Capacity:**

\_\_\_\_\_

**POWER (Check One)**

\_\_\_\_\_ A/C (110V \_\_\_\_\_ 220V \_\_\_\_\_ 460V \_\_\_\_\_ Other \_\_\_\_\_)

\_\_\_\_\_ Single Phase \_\_\_\_\_ Three Phase

\_\_\_\_\_ Air/Hydraulic

\_\_\_\_\_ Reciprication Air / Oil \_\_\_\_\_ Rotary Air / Oil

\_\_\_\_\_ Foot Pump / Manual

\_\_\_\_\_ Self-Elevating (Spring Operation)

\_\_\_\_\_ No with Toeguards & Limiting Switches

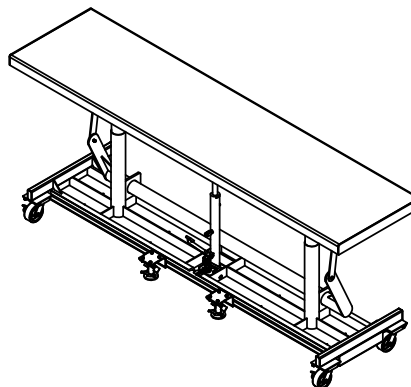
\_\_\_\_\_ No with no electrical Switches

\_\_\_\_\_ No power unit

Controls: (HAND \_\_\_\_\_ FOOT \_\_\_\_\_ NONE \_\_\_\_\_)

Power Unit: EXTERNAL \_\_\_\_\_ INTERNAL \_\_\_\_\_

IF External - Length on Cords (8' STD) \_\_\_\_\_



**PRODUCT INFO**

Load / Product type:  
Basket / Pallet / Gaylord / Skid  
Other: \_\_\_\_\_

Product Size:  
Length: \_\_\_\_\_  
Width: \_\_\_\_\_  
Height: \_\_\_\_\_

Does container have feet? \_\_\_\_\_  
Does container have drop sides?  
Yes / No

**Options:**

\_\_\_\_\_ Handrails \_\_\_\_\_ Handrails w/ Toeboard

\_\_\_\_\_ Special Color \_\_\_\_\_

\_\_\_\_\_ Bridge Plate \_\_\_\_\_ Bridge Plate / curbs

\_\_\_\_\_ List Color \_\_\_\_\_

\_\_\_\_\_ Conveyor \_\_\_\_\_ Ball Transfer Top

\_\_\_\_\_ Turntable \_\_\_\_\_ Manual Turntable or \_\_\_\_\_ Power Turntable

\_\_\_\_\_ Accordion Skirting (Bellows)

\_\_\_\_\_ Surface Mt. \_\_\_\_\_ Pit Mount (No Accordion Skirts on Pit Mt. units)

\_\_\_\_\_ Portable \_\_\_\_\_ Semi-Portable (only available in 1-3K capacities)

Additional options: \_\_\_\_\_

**Application Information:**

Duty Cycle (High Cycle?): \_\_\_\_\_

Number of shifts: \_\_\_\_\_

Special Temperature requirements: \_\_\_\_\_

Side Loading: \_\_\_\_\_

Special Loading and Unloading Requirements: \_\_\_\_\_

**Additional Notes:**

\_\_\_\_\_

\_\_\_\_\_

\_\_\_\_\_

**Quote options:**

\_\_\_\_\_ Exactly as specified \_\_\_\_\_ Cheapest / Closest to Vestil standard

\_\_\_\_\_ Quickest to ship

Requested Delivery Date: \_\_\_\_\_

\*All options may not be available on all models

Vestil Manufacturing Company \* Angola, IN 46703 \* Ph- 260-665-7586 \* Fx- 260-665-1339