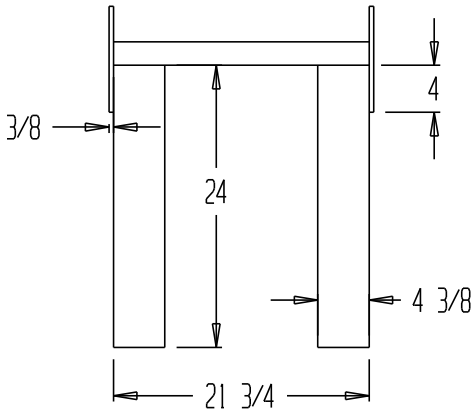
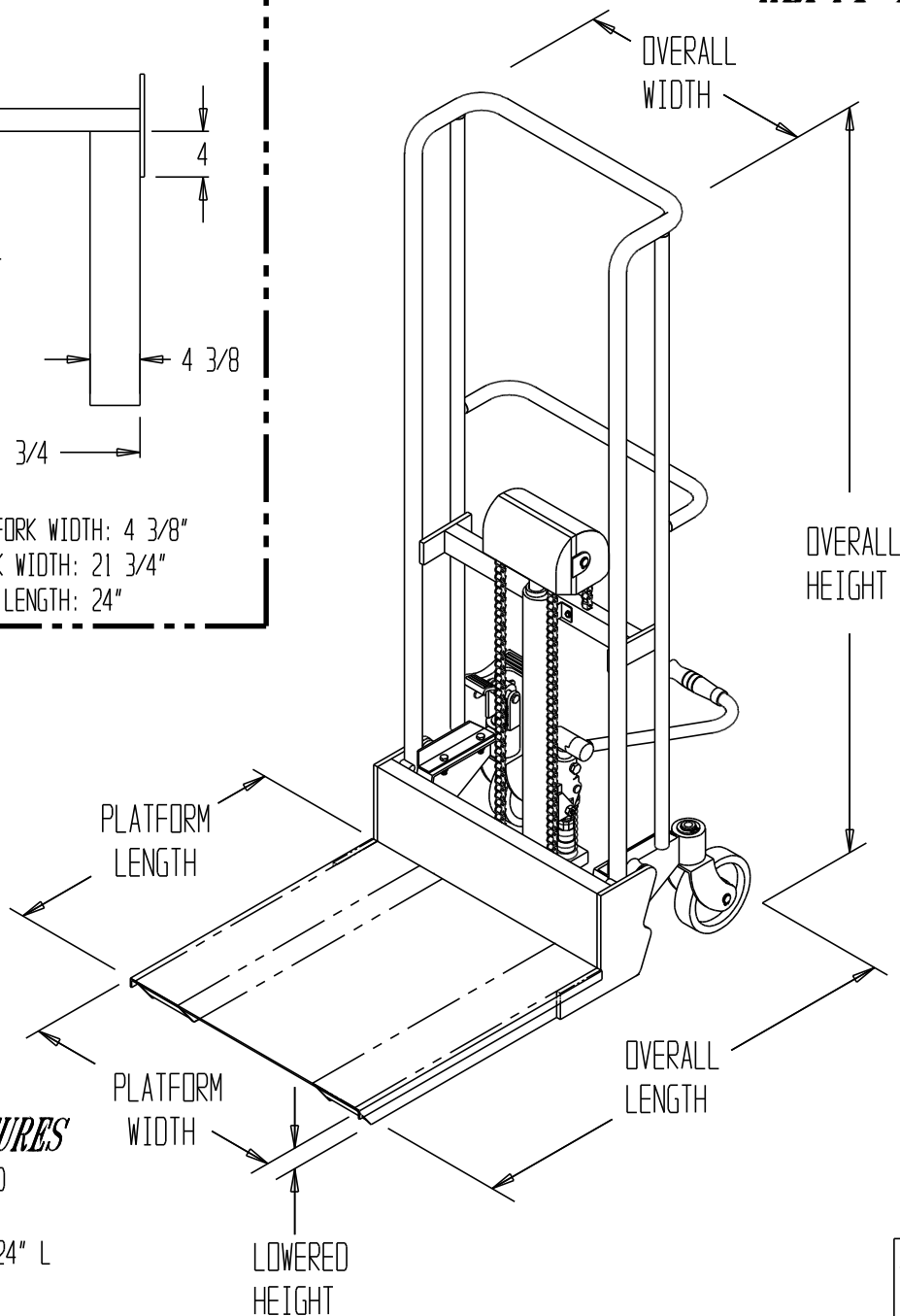


FORK DETAIL - TOP VIEW



FORK SPECS:
 INDIVIDUAL FORK WIDTH: 4 3/8"
 OVERALL FORK WIDTH: 21 3/4"
 USABLE FORK LENGTH: 24"

HEFTI-LIFT, HYD-10



STANDARD FEATURES

- MODEL NUMBER: HYD-10
- CAPACITY: 880 LBS
- DECK SIZE: 23" W x 24" L
- OVERALL HEIGHT: 70"
- OVERALL LENGTH: 36"
- OVERALL WIDTH: 23"
- LOWERED HEIGHT: 4"
- RAISED HEIGHT: 59"
- HANDLE HEIGHT: 42"
- OUTRIGGERS:
- ID = 14" / OD = 18 1/4"
- CASTERS:
- 2- BACK 6" x 2"
- 2- FRONT 3" x 2"
- FOOT PUMP OPERATION

SPECIAL FEATURES

NONE

Any additions, deletions or omissions must be corrected on this drawing, as this drawing will be considered all inclusive.

All graphics provided are for reference only. If certain dimensions are critical please verify those dimensions with your salesperson

APPROVAL	I, THE UNDERSIGNED, AGREE THAT THE PRODUCT AS REPRESENTED SATISFIES DESIGN & DIMENSION REQUIREMENTS. I ALSO ACKNOWLEDGE MY DUTY TO CONFIRM PRODUCT & INSTALLATION COMPLIANCE WITH ALL APPLICABLE FEDERAL, STATE AND LOCAL REGULATIONS & STANDARDS.	
	ANY MODIFIED UNITS ARE NON-RETURNABLE	
	() As drawn () As marked	
	Signed: _____	Date: _____
	Printed Name: _____	
LEAD TIME WILL START UPON RECEIPT OF SIGNED APPROVAL DRAWING		

DISTRIBUTOR'S NAME: VESTIL MFG		P.O.#: _
DRAWN BY: _____		W.O.#: _
DATE: 5/5/16	SCALE: N/A	SALES: _
REFERENCE: _	QUOTED LEADTIME: _	DRWG./FILE NAME: HYD-10
QUOTE #: _		

FOR INTERNAL USE ONLY PROJECT SIGN OFF
SALES
ENG
FAB.
POWER