

MECHANICAL POST TABLES Product Survey Sheet -MT-2436-LP

Inquiry Date: _____ Due Date: _____

Contact: _____

Company: _____

Phone: _____

Fax: _____

E-mail: _____

PLATFORM SIZE

Not Critical

Overall Width: _____

Overall Length: _____

Usable Width: _____

Usable Length: _____

BASE WIDTH

Not Critical

Width: _____

Length: _____

Travel:

Lowered Ht.: _____

Raised Ht.: _____

Travel: _____

Table Capacity:

POWER (Check One)

____ A/C (110V _____ 220V _____ 460V _____ Other _____)

____ Single Phase _____ Three Phase

____ Air/Hydraulic

____ Reciprication Air / Oil _____ Rotary Air / Oil

____ Foot Pump / Manual

____ Self-Elevating (Spring Operation)

____ No with Toeguards & Limiting Switches

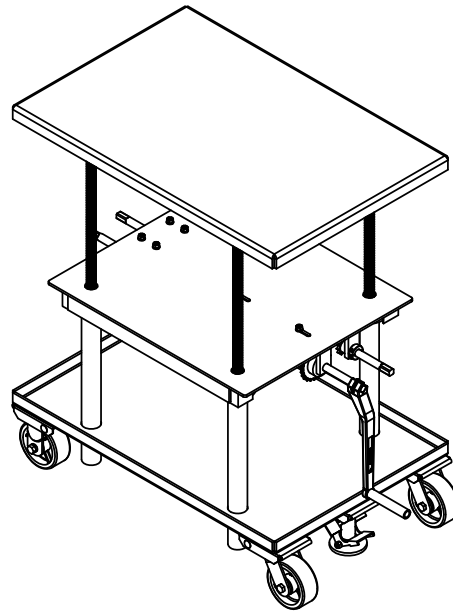
____ No with no electrical Switches

____ No power unit

Controls: (HAND _____ FOOT _____ NONE _____)

Power Unit: EXTERNAL _____ INTERNAL _____

IF External - Length on Cords (8' STD) _____



PRODUCT INFO

Load / Product type:
Basket / Pallet / Gaylord / Skid
Other: _____

Product Size:
Length: _____
Width: _____
Height: _____

Does container have feet? _____
Does container have drop sides?
Yes / No

Options:

____ Handrails _____ Handrails w/ Toeboard

____ Special Color _____

____ Bridge Plate _____ Bridge Plate / curbs

____ List Color _____

____ Conveyor _____ Ball Transfer Top

____ Turntable _____ Manual Turntable or _____ Power Turntable

____ Accordion Skirting (Bellows)

____ Surface Mt. _____ Pit Mount (No Accordion Skirts on Pit Mt. units)

____ Portable _____ Semi-Portable (only available in 1-3K capacities)

Additional options: _____

Application Information:

Duty Cycle (High Cycle?): _____

Number of shifts: _____

Special Temperature requirements: _____

Side Loading: _____

Special Loading and Unloading Requirements: _____

Additional Notes:

Quote options:

____ Exactly as specified _____ Cheapest / Closest to Vestil standard

____ Quickest to ship

Requested Delivery Date: _____

*All options may not be available on all models

Vestil Manufacturing Company * Angola, IN 46703 * Ph- 260-665-7586 * Fx- 260-665-1339