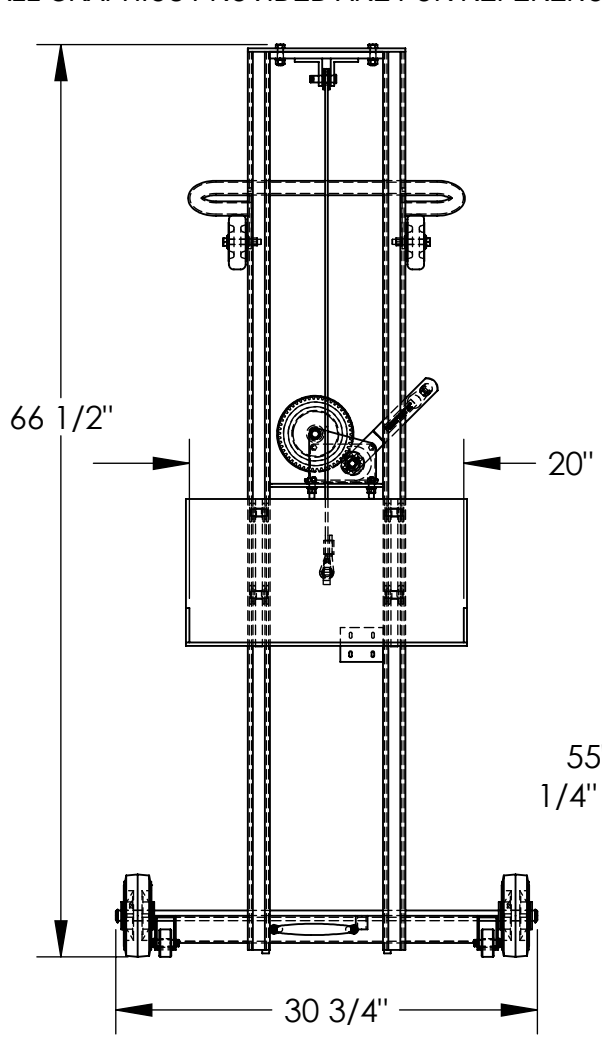


LOW PROFILE ALUMINUM LITE LOAD LIFT - ALLPW-500-FW

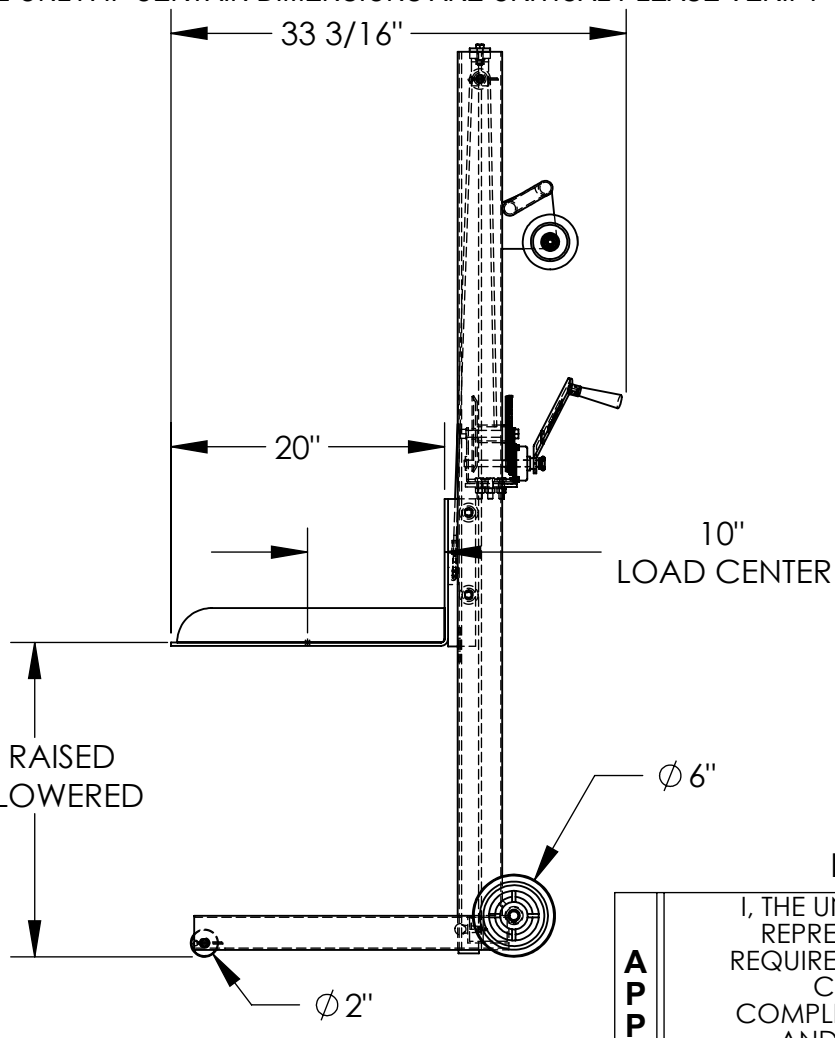
APPROX WEIGHT: 92.31 lbs.
 DOES NOT INCLUDE WEIGHT OF POWER OR PACKAGING!!!

*** ANY ADDITIONS, DELETIONS, OR OMISSIONS MUST BE CORRECTED ON THIS DRAWING AS THIS DRAWING WILL BE CONSIDERED ALL INCLUSIVE ***
 ALL GRAPHICS PROVIDED ARE FOR REFERENCE ONLY. IF CERTAIN DIMENSIONS ARE CRITICAL PLEASE VERIFY THOSE DIMENSIONS WITH YOUR SALESPERSON



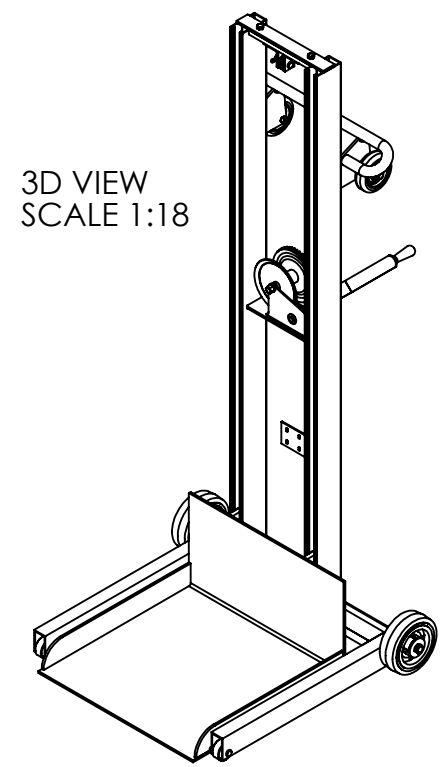
STANDARD FEATURES

MODEL NUMBER: ALLPW-500-FW
 CAPACITY: 400 LBS.
 PLATFORM WIDTH: 20"
 PLATFORM LENGTH: 20"
 OVERALL WIDTH: 30 3/4"
 OVERALL LENGTH: 33 3/16"
 OVERALL HEIGHT: 66 1/2"
 RAISED HEIGHT: 55"
 LOWERED HEIGHT: 1/4"
 HAND WINCH OPERATION
 ALUMINUM CONSTRUCTION



SPECIAL FEATURES

NONE



3D VIEW
 SCALE 1:18

DIMENSION TOLERANCE ± 1/4"

APPROVAL

I, THE UNDERSIGNED, AGREE THAT THE PRODUCT AS REPRESENTED SATISFIES DESIGN AND DIMENSION REQUIREMENTS. I ALSO ACKNOWLEDGE MY DUTY TO CONFIRM PRODUCT AND INSTALLATION COMPLIANCE WITH ALL APPLICABLE FEDERAL, STATE AND LOCAL REGULATIONS AND STANDARDS.

ANY MODIFIED UNITS ARE NON-RETURNABLE

[] As drawn [] As marked

Signed: _____ Date: _____

Printed Name: _____

LEAD TIME WILL START UPON RECEIPT OF SIGNED APPROVAL DRAWING

FOR INTERNAL USE ONLY PROJECT SIGN OFF	
SALES	
ENG.	
FAB.	
POWER	

DISTRIBUTOR'S NAME:		P.O.#
VESTIL MANUFACTURING		X
DRAWN BY: K.YOUNG		DATE: 09/02/2005
REFERENCE: X		SCALE: 1:14
QUOTED LEAD TIME: X		QUOTE # X
		W.O.#
		X
		SALES: X
		FILE NAME:
		42-007-015