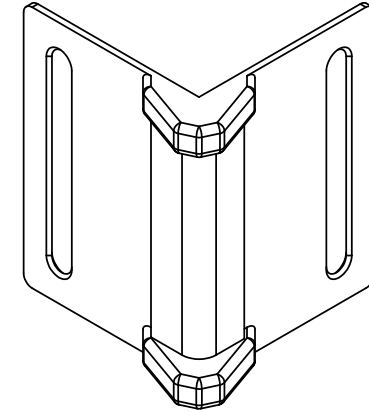
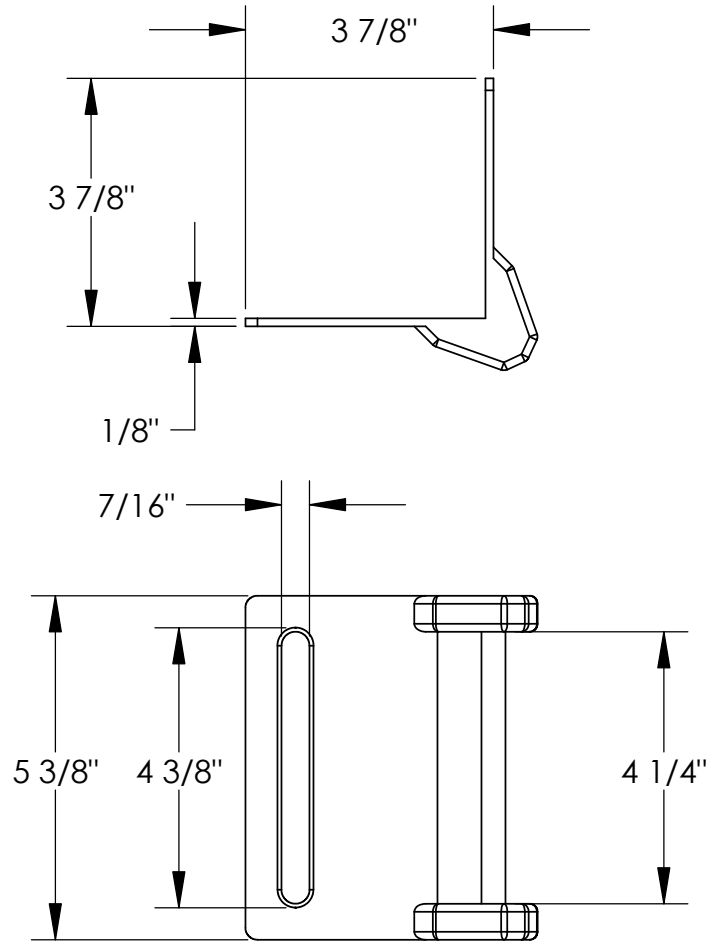


# EDGE GUARDS - EDGE - N1

APPROXIMATE WEIGHT IS: 0.25 lbs.

\*\*\* ANY ADDITIONS, DELETIONS, OR OMISSIONS MUST BE CORRECTED ON THIS DRAWING AS THIS DRAWING WILL BE CONSIDERED ALL INCLUSIVE \*\*\*  
 ALL GRAPHICS PROVIDED ARE FOR REFERENCE ONLY. IF CERTAIN DIMENSIONS ARE CRITICAL PLEASE VERIFY THOSE DIMENSIONS WITH YOUR SALESPERSON



**ALL SPECIAL UNITS  
 ARE NON-RETURNABLE**

<b>A P P R O V A L</b>	I, the undersigned, hereby approve this print. This includes my approval of design & dimensions	
	<input type="checkbox"/> As drawn	<input type="checkbox"/> As marked
	Signed: _____ Date: _____	
<b>LEAD TIME WILL START UPON RECEIPT          OF SIGNED APPROVAL DRAWING</b>		

## STANDARD FEATURES

- MODEL NUMBER IS: EDGE - N1
- OVERALL WIDTH IS: 3 7/8"
- USABLE WIDTH IS: 3 7/8"
- OVERALL LENGTH IS: 3 7/8"
- USABLE LENGTH IS: 3 7/8"
- OVERALL HEIGHT IS: 5 3/8"

## SPECIAL FEATURES

NONE

DISTRIBUTOR'S NAME: <b>VESTIL MANUFACTURING</b>		P.O.# X
DRAWN BY: M. BEIER	DATE: 11/15/07	W.O.# X
REFERENCE: X	QUOTE # X	SALES: X
SCALE: 1:3		FILE NAME: MB-1115-01