

HYDRAULIC PAIL CRUSHER/COMPATOR Survey Sheet -HPC-405

Inquiry Date: _____ Due Date: _____

Contact: _____

Company: _____

Phone: _____

Fax: _____

E-mail: _____

PAINT COLOR

_____ STANDARD ERGO BLUE

_____ RAL #

_____ SPECIAL COLOR

_____ COLOR NAME

CONTAINER SIZE

_____ 5 GALLON STEEL PAIL

_____ 5 GALLON PLASTIC PAIL

_____ OTHER

LOCATION OF UNIT

_____ HAZARDOUS LOCATION

LOCATION DETAILS:

Options:

_____ BENCH TOP MOUNTING

Additional options: _____

Additional Notes:

LOADING APPLICATION

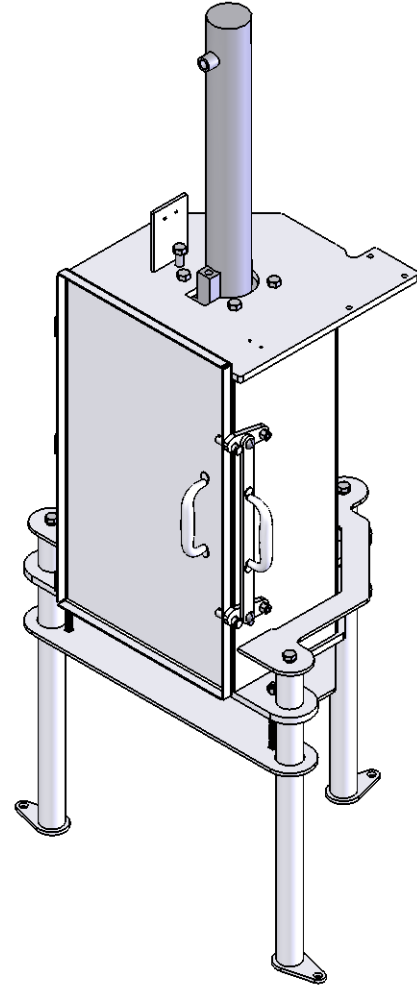
Quote options:

_____ Exactly as specified _____ Cheapest / Closest to Vestil standard

_____ Quickest to ship

Requested Delivery Date: _____

*All options may not be available on all models



Vestil Manufacturing Company * Angola, IN 46703 * Ph- 260-665-7586 * Fax- 260-665-1339