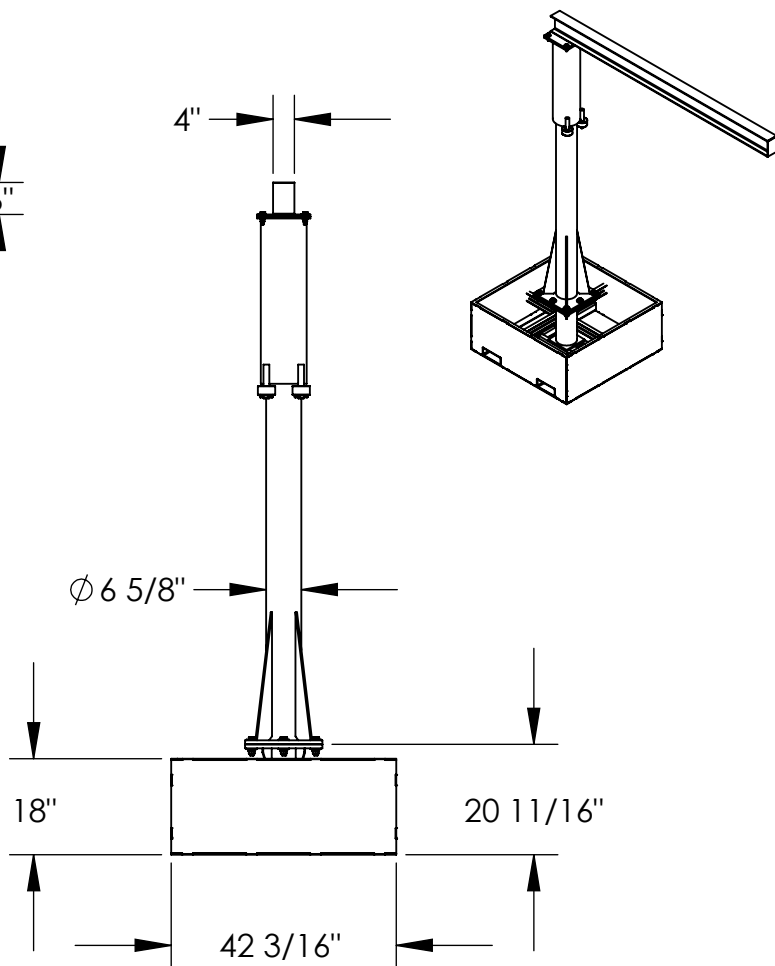
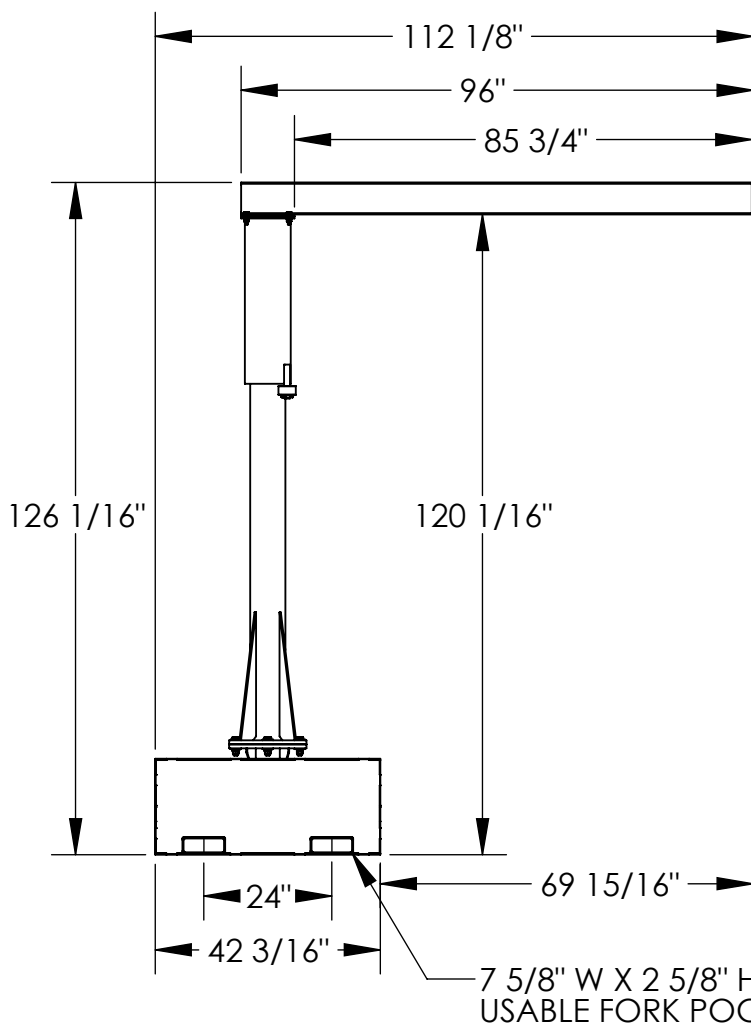


PORTABLE JIB CRANE - JIB-CB-25-8-10

APPROX WEIGHT: 875.47 lbs.
DOES NOT INCLUDE WEIGHT OF POWER OR PACKAGING!!!

ANY ADDITIONS, DELETIONS, OR OMISSIONS MUST BE CORRECTED ON THIS DRAWING AS THIS DRAWING WILL BE CONSIDERED ALL INCLUSIVE



NOTE: MUST BE FILLED WITH GRAVEL OR LIMESTONE AGGREGATE CONCRETE.

REQUIRES APPROXIMATELY (41) 60 - LB. BAGS OF SAKRETE MIX TO FILL.

UNIT WEIGHT WHEN FILLED WITH CONCRETE MUST EQUAL OR EXCEED 2,665 LBS. TO FUNCTION SAFELY AND PROPERLY.

ALL GRAPHICS PROVIDED ARE FOR REFERENCE ONLY. IF CERTAIN DIMENSIONS ARE CRITICAL PLEASE VERIFY THOSE DIMENSIONS WITH YOUR SALESPERSON

DIMENSION TOLERANCE $\pm 1/4"$

STANDARD FEATURES

- MODEL NUMBER IS JIB-CB-25-8-10
- CAPACITY IS 250 LBS.
- OVERALL WIDTH IS 42 3/16"
- OVERALL I-BEAM LENGTH IS 96"
- USABLE I-BEAM LENGTH IS 85 3/4"
- OVERALL HEIGHT IS 126 1/16"
- UNDER I-BEAM HEIGHT IS 120 1/16"
- BASE IS 42 3/16" X 42 3/16" X 20 11/16" H
- I-BEAM SIZE IS 6" HEIGHT X 4" FLANGE WIDTH
- USABLE FORK POCKETS ARE 7 5/8" W X 2 5/8" H ON 24" FORK CENTERS
- DURABLE LIQUID PAINT BLUE FINISH

SPECIAL FEATURES

NONE

APPROVAL	I, THE UNDERSIGNED, AGREE THAT THE PRODUCT AS REPRESENTED SATISFIES DESIGN AND DIMENSION REQUIREMENTS. I ALSO ACKNOWLEDGE MY DUTY TO CONFIRM PRODUCT AND INSTALLATION COMPLIANCE WITH ALL APPLICABLE FEDERAL, STATE AND LOCAL REGULATIONS AND STANDARDS.	
	UNITS REQUIRING APPROVAL DRAWINGS OR MODIFIED ARE NON-RETURNABLE	
	<input type="checkbox"/> As drawn	<input type="checkbox"/> As marked
	Signed: _____	Date: _____
	Printed Name: _____	
	LEAD TIME WILL START UPON RECEIPT OF SIGNED APPROVAL DRAWING	

DISTRIBUTOR'S NAME:		P.O.#
VESTIL MANUFACTURING		X
DRAWN BY: ND		W.O.#
DATE: 8/26/09		X
REFERENCE: X	SCALE: 1:36	SALES: X
QUOTED LEAD TIME: X	QUOTE #	FILE NAME:
	X	28-007-181