

UNIVERSAL MANUAL TRASH CAN DUMPER - TCD-U-60-DC

APPROX WEIGHT: 800.81 lbs. DOES NOT INCLUDE WEIGHT OF POWER OR PACKAGING!!!

*** ANY ADDITIONS, DELETIONS, OR OMISSIONS MUST BE CORRECTED ON THIS DRAWING AS THIS DRAWING WILL BE CONSIDERED ALL INCLUSIVE ***
 ALL GRAPHICS PROVIDED ARE FOR REFERENCE ONLY. IF CERTAIN DIMENSIONS ARE CRITICAL PLEASE VERIFY THOSE DIMENSIONS WITH YOUR SALESPERSON

STANDARD FEATURES

MODEL NUMBER: TCD-U-60-DC
 USABLE CHUTE WIDTH: 34 3/4"
 USAGE CHUTE LENGTH: 35 7/8"
 USABLE CHUTE HEIGHT: 77 5/8"

OVERALL LENGTH: 75 5/8"
 OVERALL WIDTH: 46 1/16"
 OVERALL HEIGHT: 78 1/8"

OVERALL ROTATED HEIGHT: 140 1/4"
 MAXIMUM ROTATED ANGLE: 45°
 DUMP HEIGHT: 59 13/16"

WORKS WITH TRASH CANS OF
 17 1/2" TO 34 3/4" WIDTH
 20 1/2" TO 35 7/8" LENGTH
 27" TO 50" HEIGHT

UNIFORM CAPACITY IS 400 LBS

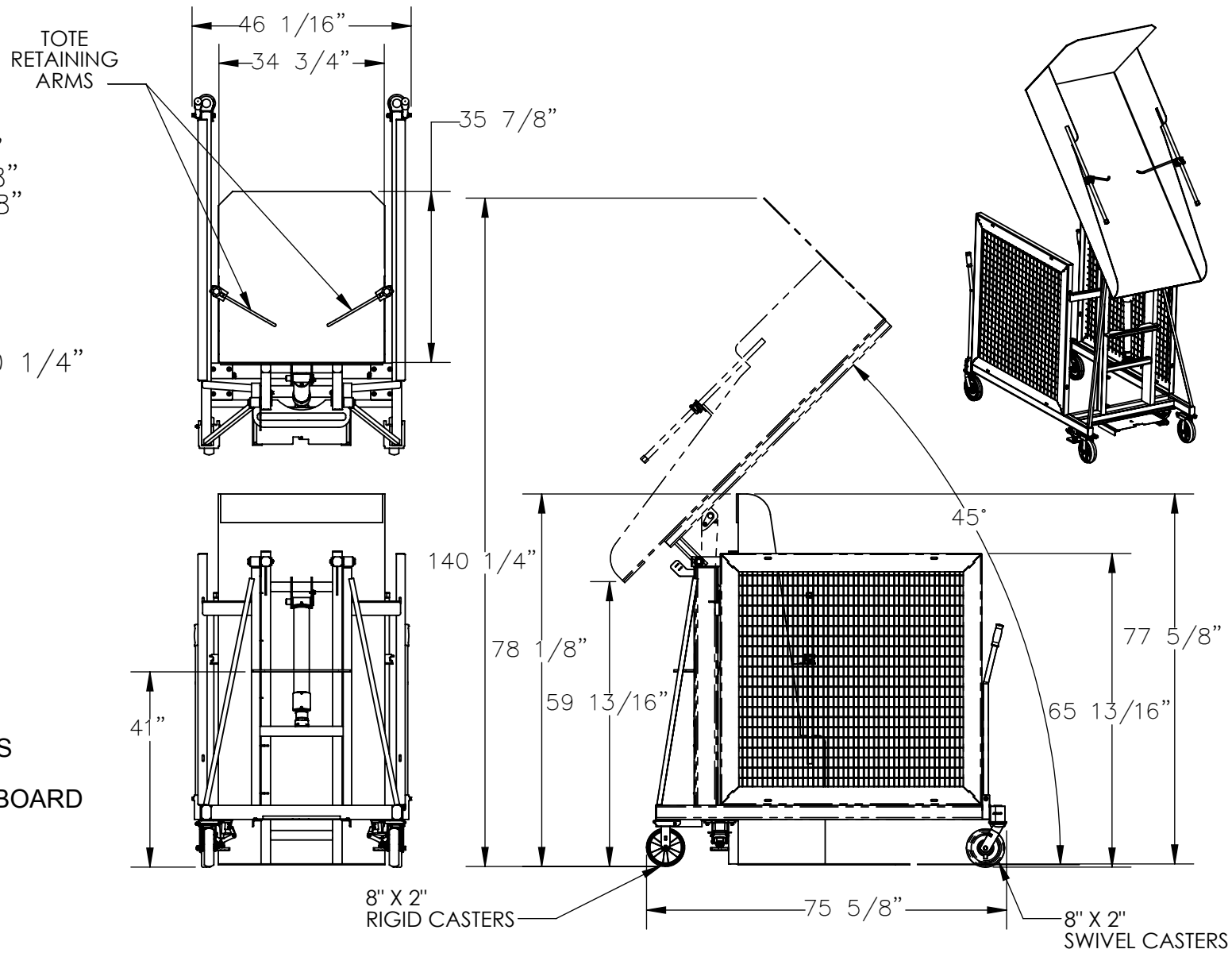
CASTERS:
 FRONT: 8" X 2" GFN SWIVEL
 REAR: 8" X 2" GFN RIGID

TWO ADJUSTABLE FLOOR LOCKS

POWER UNIT: 12 V DC WITH ON-BOARD CHARGER
 CONTROL: HAND

SPECIAL FEATURES

NONE



DIMENSION TOLERANCE ± 1/4"

APPROVAL

I, THE UNDERSIGNED, AGREE THAT THE PRODUCT AS REPRESENTED SATISFIES DESIGN AND DIMENSION REQUIREMENTS. I ALSO ACKNOWLEDGE MY DUTY TO CONFIRM PRODUCT AND INSTALLATION COMPLIANCE WITH ALL APPLICABLE FEDERAL, STATE AND LOCAL REGULATIONS AND STANDARDS.

ANY MODIFIED UNITS ARE NON-RETURNABLE

[] As drawn [] As marked

Signed: _____ Date: _____

Printed Name: _____

LEAD TIME WILL START UPON RECEIPT OF SIGNED APPROVAL DRAWING

FOR INTERNAL USE ONLY PROJECT SIGN OFF	
SALES	
ENG.	
FAB.	
POWER	

DISTRIBUTOR'S NAME: VESTIL MANUFACTURING	
DRAWN BY: SJA	DATE: 7/23/2016
REFERENCE: X	SCALE: 1:32
QUOTED LEAD TIME: X	QUOTE # X

P.O.# X
W.O.# X
SALES: X
FILE NAME: 34-007-033