

# UNIVERSAL MANUAL TRASH CAN DUMPER - TCD-U-48-DC

APPROX WEIGHT: 709.55 lbs. DOES NOT INCLUDE WEIGHT OF POWER OR PACKAGING!!!

\*\*\* ANY ADDITIONS, DELETIONS, OR OMISSIONS MUST BE CORRECTED ON THIS DRAWING AS THIS DRAWING WILL BE CONSIDERED ALL INCLUSIVE \*\*\*

ALL GRAPHICS PROVIDED ARE FOR REFERENCE ONLY. IF CERTAIN DIMENSIONS ARE CRITICAL PLEASE VERIFY THOSE DIMENSIONS WITH YOUR SALESPERSON

## STANDARD FEATURES

MODEL NUMBER: TCD-U-48-DC  
 USABLE CHUTE WIDTH: 34 3/4"  
 USAGE CHUTE LENGTH: 35 7/8"  
 USABLE CHUTE HEIGHT: 64"

OVERALL LENGTH: 75 5/8"  
 OVERALL WIDTH: 46 1/16"  
 OVERALL HEIGHT: 64 3/4"

OVERALL ROTATED HEIGHT: 119 3/8"  
 MAXIMUM ROTATED ANGLE: 45°  
 DUMP HEIGHT: 48 9/16"

WORKS WITH TRASH CANS OF  
 17 1/2" TO 34 3/4" WIDTH  
 20 1/2" TO 35 7/8" LENGTH  
 27" TO 50" HEIGHT

UNIFORM CAPACITY IS 400 LBS

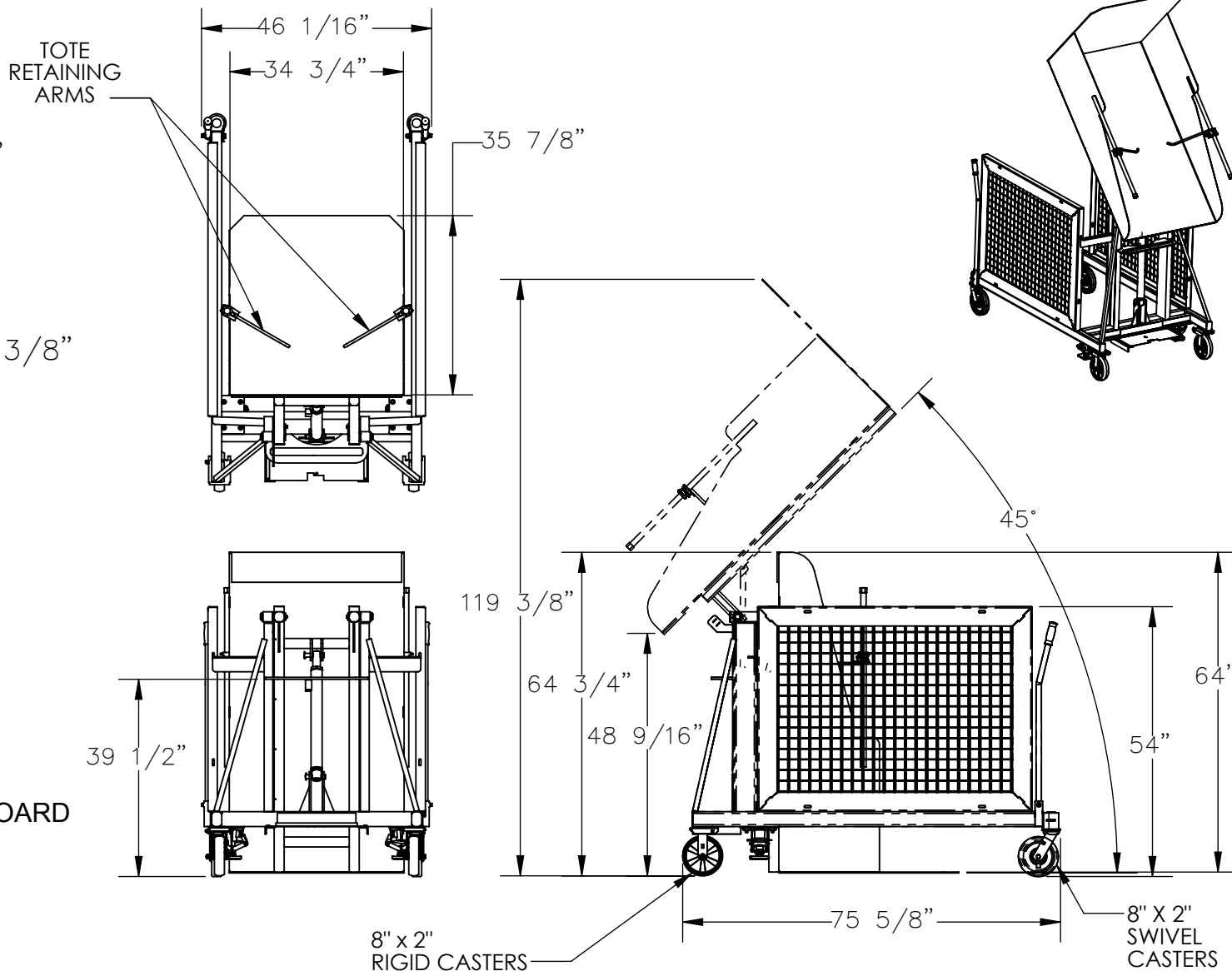
CASTERS:  
 FRONT: 8" X 2" GFN SWIVEL  
 REAR: 8" X 2" GFN RIGID

TWO ADJUSTABLE FLOOR LOCKS

POWER UNIT: 12 V DC WITH ON-BOARD CHARGER  
 CONTROL: HAND

## SPECIAL FEATURES

NONE



DIMENSION TOLERANCE ± 1/4"

<b>APPROVAL</b>	I, THE UNDERSIGNED, AGREE THAT THE PRODUCT AS REPRESENTED SATISFIES DESIGN AND DIMENSION REQUIREMENTS. I ALSO ACKNOWLEDGE MY DUTY TO CONFIRM PRODUCT AND INSTALLATION COMPLIANCE WITH ALL APPLICABLE FEDERAL, STATE AND LOCAL REGULATIONS AND STANDARDS.		<b>FOR INTERNAL USE ONLY</b>		DISTRIBUTOR'S NAME: <b>VESTIL MANUFACTURING</b>		P.O.# X	
	<b>ANY MODIFIED UNITS ARE NON-RETURNABLE</b>		<b>PROJECT SIGN OFF</b>				W.O.# X	
	[ ] As drawn [ ] As marked		SALES		DRAWN BY: SJA		DATE: 7/23/2016	
	Signed: _____ Date: _____		ENG.		REFERENCE: X		SALES: X	
	Printed Name: _____		FAB.		QUOTED LEAD TIME: X		SCALE: 1:32	
LEAD TIME WILL START UPON RECEIPT OF SIGNED APPROVAL DRAWING		POWER		QUOTE # X		FILE NAME: 34-007-023		