

UNIVERSAL MANUAL TRASH CAN DUMPER - TCD-U-72-AC APPROX WEIGHT: 874.83 lbs. DOES NOT INCLUDE WEIGHT OF POWER OR PACKAGING!!!

*** ANY ADDITIONS, DELETIONS, OR OMISSIONS MUST BE CORRECTED ON THIS DRAWING AS THIS DRAWING WILL BE CONSIDERED ALL INCLUSIVE ***
 ALL GRAPHICS PROVIDED ARE FOR REFERENCE ONLY. IF CERTAIN DIMENSIONS ARE CRITICAL PLEASE VERIFY THOSE DIMENSIONS WITH YOUR SALESPERSON

STANDARD FEATURES

MODEL NUMBER: TCD-U-72-AC
 USABLE CHUTE WIDTH: 34 3/4"
 USAGE CHUTE LENGTH: 35 7/8"
 USABLE CHUTE HEIGHT: 89 5/8"

OVERALL LENGTH: 87 5/8"
 OVERALL WIDTH: 46 1/16"
 OVERALL HEIGHT: 89 15/16"

OVERALL ROTATED HEIGHT: 160 15/16"
 MAXIMUM ROTATED ANGLE: 45°
 DUMP HEIGHT: 71 15/16"

WORKS WITH TRASH CANS OF
 17 1/2" TO 34 3/4" WIDTH
 20 1/2" TO 35 7/8" LENGTH
 27" TO 50" HEIGHT

UNIFORM CAPACITY IS 400 LBS

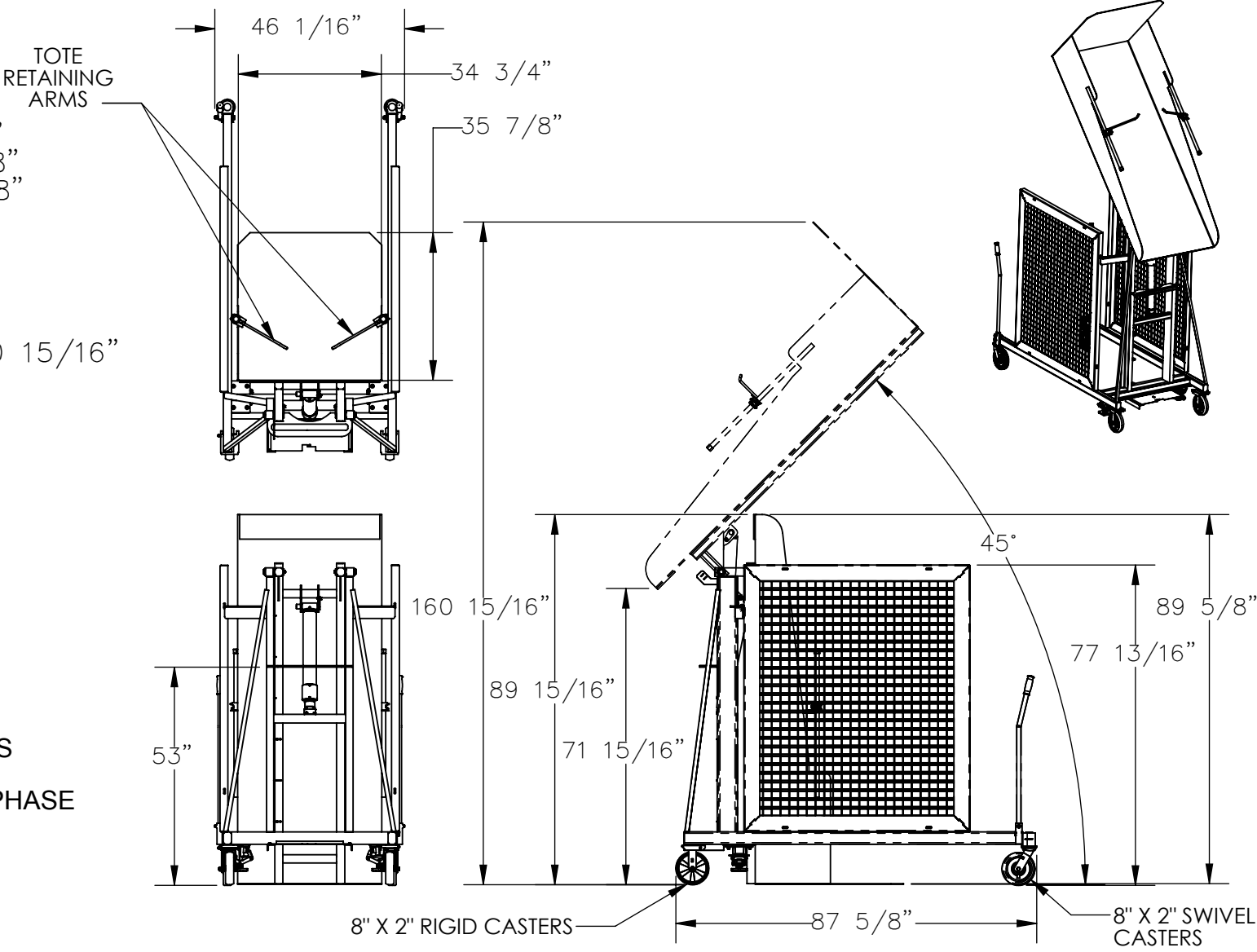
CASTERS:
 FRONT: 8" X 2" GFN SWIVEL
 REAR: 8" X 2" GFN RIGID

TWO ADJUSTABLE FLOOR LOCKS

POWER UNIT: 115 V AC SINGLE PHASE
 CONTROL: HAND

SPECIAL FEATURES

NONE



DIMENSION TOLERANCE ± 1/4"

APPROVAL	I, THE UNDERSIGNED, AGREE THAT THE PRODUCT AS REPRESENTED SATISFIES DESIGN AND DIMENSION REQUIREMENTS. I ALSO ACKNOWLEDGE MY DUTY TO CONFIRM PRODUCT AND INSTALLATION COMPLIANCE WITH ALL APPLICABLE FEDERAL, STATE AND LOCAL REGULATIONS AND STANDARDS.		FOR INTERNAL USE ONLY PROJECT SIGN OFF		DISTRIBUTOR'S NAME: VESTIL MANUFACTURING		P.O.# X
	ANY MODIFIED UNITS ARE NON-RETURNABLE		SALES		DRAWN BY: SJA		DATE: 7/23/2016
	[] As drawn [] As marked		ENG.		REFERENCE: X		SCALE: 1:38
	Signed: _____ Date: _____		FAB.		QUOTED LEAD TIME: X		QUOTE # X
	Printed Name: _____		POWER				FILE NAME: 34-007-035-001
LEAD TIME WILL START UPON RECEIPT OF SIGNED APPROVAL DRAWING							