



**Vestil Manufacturing Co.**  
 2999 North Wayne Street, P.O. Box 507, Angola, IN 46703  
 Telephone: (260) 665-7586 -or- Toll Free (800) 348-0868  
 Fax: (260) 665-1339  
 Website: [www.vestil.com](http://www.vestil.com) e-mail: [info@vestil.com](mailto:info@vestil.com)

## D-SERIES HOPPERS



### Receiving instructions

After delivery, remove the packaging from the product. Inspect the product closely to determine whether it sustained damage during transport. If damage is discovered, record a complete description of it on the bill of lading. If the product is undamaged, discard the packaging.

**NOTE:** The end-user is solely responsible for confirming that product design, use, and maintenance comply with laws, regulations, codes, and mandatory standards applied where the product is used.

### Technical Service & Replacement Parts

For answers to questions not addressed in these instructions and to order replacement parts, labels, and accessories, call our Technical Service and Parts Department at (260) 665-7586. The department can also be contacted online at <https://www.vestil.com/page-parts-request.php>.

### Electronic Copies of Instruction Manuals

Additional copies of this instruction manual may be downloaded from <https://www.vestil.com/page-manuals.php>.

Table of Contents		Page	Table of Figures		Page
Specifications.....	2, 3, 4		D-25 exploded view & bill of materials.....		4
Signal Words.....	14		D-33 exploded view & bill of materials.....		5
Safety Instructions.....	14		D-50 exploded view & bill of materials.....		6
National Standards.....	15		D-75 exploded view & bill of materials.....		7
Using the Hopper.....	15 - 16		D-100 exploded view & bill of materials.....		8
Record of Satisfactory Condition.....	16		D-150 exploded view & bill of materials.....		9
Inspections & Maintenance.....	16		D-200 exploded view & bill of materials.....		10
Labeling Diagram.....	17		D-250 exploded view & bill of materials.....		11
Limited Warranty.....	18		D-300 exploded view & bill of materials.....		12
			D-300-HD-NA, D-350-HD, D-400-HD, and D-500-HD exploded view & bill of materials.....		13

## SPECIFICATIONS

Dimensions, net weight, and capacity figures are provided in the following tables.

<b>Light duty fabricated from 12 gauge steel</b>					
<b>Model</b>	<b>Volume</b>	<b>Capacity</b>	<b>Overall Dimensions (W x L x H)</b>	<b>Distance between Fork Pocket Centers</b>	<b>Net Weight</b>
D-25-LD	¼ yd <sup>3</sup> (0.19 m <sup>3</sup> )	2,000 lb. (909 kg)	26" x 51 <sup>7</sup> / <sub>8</sub> " x 38" (66.0 x 131.8 x 96.5)cm	18" (45.7cm)	341 lb. 155 kg
D-33-LD	⅓ yd <sup>3</sup> (0.25 m <sup>3</sup> )	2,000 lb. (909 kg)	26" x 51 <sup>7</sup> / <sub>8</sub> " x 38" (66.0 x 131.8 x 96.5)cm	18" (45.7cm)	341 lb. 155 kg
D-50-LD	½ yd <sup>3</sup> (0.38 m <sup>3</sup> )	2,000 lb. (909 kg)	32 <sup>9</sup> / <sub>16</sub> " x 51 <sup>3</sup> / <sub>4</sub> " x 38" (85.6 x 131.4 x 96.5)cm	18" (45.7cm)	364 lb. 165.5 kg
D-75-LD	¾ yd <sup>3</sup> (0.57 m <sup>3</sup> )	2,000 lb. (909 kg)	32 <sup>9</sup> / <sub>16</sub> " x 61 <sup>1</sup> / <sub>8</sub> " x 42 <sup>11</sup> / <sub>16</sub> " (85.6 x 155.3 x 108.4)cm	18" (45.7cm)	448 lb. 203.6 kg
D-100-LD	1 yd <sup>3</sup> (0.76 m <sup>3</sup> )	2,000 lb. (909 kg)	42 <sup>9</sup> / <sub>16</sub> " x 61 <sup>1</sup> / <sub>8</sub> " x 42 <sup>11</sup> / <sub>16</sub> " (105.9 x 155.3 x 108.4)cm	18" (45.7cm)	478 lb. 217.3 kg
D-150-LD	1½ yd <sup>3</sup> (1.15 m <sup>3</sup> )	2,000 lb. (909 kg)	42 <sup>9</sup> / <sub>16</sub> " x 68 <sup>5</sup> / <sub>16</sub> " x 51 <sup>13</sup> / <sub>16</sub> " (111.0 x 173.5 x 131.6)cm	28" (71.1cm)	565 lb. 256.8 kg
D-200-LD	2 yd <sup>3</sup> (1.53 m <sup>3</sup> )	2,000 lb. (909 kg)	56 <sup>11</sup> / <sub>16</sub> " x 68 <sup>5</sup> / <sub>16</sub> " x 51 <sup>3</sup> / <sub>16</sub> " (144.0 x 173.5 x 130.0)cm	28" (71.1cm)	612 lb. 278.2 kg
D-250-LD	2½ yd <sup>3</sup> (1.91 m <sup>3</sup> )	2,000 lb. (909 kg)	69 <sup>9</sup> / <sub>16</sub> " x 68 <sup>3</sup> / <sub>8</sub> " x 51 <sup>3</sup> / <sub>4</sub> " (176.7 x 173.7 x 131.4)cm	28" (71.1cm)	863 lb. 392.3 kg
D-300-LD	3 yd <sup>3</sup> (2.29 m <sup>3</sup> )	2,000 lb. (909 kg)	81 <sup>3</sup> / <sub>4</sub> " x 68 <sup>5</sup> / <sub>8</sub> " x 51 <sup>3</sup> / <sub>16</sub> " (207.6 x 174.3 x 130.0)cm	28" (71.1cm)	940 lb. 427.3 kg
<b>Medium fabricated from 10 gauge steel</b>					
D-25-MD	¼ yd <sup>3</sup> (0.19 m <sup>3</sup> )	4,000 lb. (1,818 kg)	26" x 51 <sup>3</sup> / <sub>8</sub> " x 38 <sup>1</sup> / <sub>16</sub> " (66.0 x 130.5 x 96.7)cm	18" (45.7cm)	396 lb. 180 kg
D-33-MD	⅓ yd <sup>3</sup> (0.25 m <sup>3</sup> )	4,000 lb. (1,818 kg)	26" x 51 <sup>3</sup> / <sub>8</sub> " x 38 <sup>1</sup> / <sub>16</sub> " (66.0 x 130.5 x 96.7)cm	18" (45.7cm)	396 lb. 180 kg
D-50-MD	½ yd <sup>3</sup> (0.38 m <sup>3</sup> )	4,000 lb. (1,818 kg)	32 <sup>9</sup> / <sub>16</sub> " x 51 <sup>7</sup> / <sub>8</sub> " x 38 <sup>1</sup> / <sub>16</sub> " (85.2 x 131.8 x 96.7)cm	18" (45.7cm)	435 lb. 197.7 kg
D-75-MD	¾ yd <sup>3</sup> (0.57 m <sup>3</sup> )	4,000 lb. (1,818 kg)	32 <sup>9</sup> / <sub>16</sub> " x 61 <sup>1</sup> / <sub>8</sub> " x 42 <sup>3</sup> / <sub>4</sub> " (80.2 x 155.3 x 108.6)cm	18" (45.7cm)	542 lb. 246.4 kg
D-100-MD	1 yd <sup>3</sup> (0.76 m <sup>3</sup> )	4,000 lb. (1,818 kg)	42 <sup>9</sup> / <sub>16</sub> " x 61 <sup>1</sup> / <sub>8</sub> " x 42 <sup>3</sup> / <sub>4</sub> " (105.6 x 155.3 x 108.6)cm	18" (45.7cm)	590 lb. 268.2 kg
D-150-MD	1½ yd <sup>3</sup> (1.15 m <sup>3</sup> )	4,000 lb. (1,818 kg)	42 <sup>9</sup> / <sub>16</sub> " x 68 <sup>3</sup> / <sub>8</sub> " x 51 <sup>13</sup> / <sub>16</sub> " (110.6 x 173.7 x 131.6)cm	28" (71.1cm)	714 lb. 324.5 kg
D-200-MD	2 yd <sup>3</sup> (1.53 m <sup>3</sup> )	4,000 lb. (1,818 kg)	56 <sup>5</sup> / <sub>8</sub> " x 68 <sup>5</sup> / <sub>16</sub> " x 51 <sup>13</sup> / <sub>16</sub> " (143.0 x 173.5 x 131.6)cm	28" (71.1cm)	700 lb. 318.2 kg
D-250-MD	2½ yd <sup>3</sup> (1.91 m <sup>3</sup> )	4,000 lb. (1,818 kg)	69 <sup>9</sup> / <sub>16</sub> " x 68 <sup>3</sup> / <sub>8</sub> " x 51 <sup>3</sup> / <sub>4</sub> " (176.7 x 173.7 x 131.4)cm	28" (71.1cm)	863 lb. 392.3 kg
D-300-MD	3 yd <sup>3</sup> (2.29 m <sup>3</sup> )	4,000 lb. (1,818 kg)	81 <sup>3</sup> / <sub>4</sub> " x 68 <sup>5</sup> / <sub>8</sub> " x 51 <sup>13</sup> / <sub>16</sub> " (207.6 x 174.3 x 131.6)cm	28" (71.1cm)	940 lb. 427.3 kg
<b>Heavy duty fabricated from 8 gauge steel</b>					
D-25-HD	¼ yd <sup>3</sup> (0.19 m <sup>3</sup> )	6,000 lb. (2,727.3 kg)	26" x 51 <sup>7</sup> / <sub>8</sub> " x 38 <sup>1</sup> / <sub>16</sub> " (66.0 x 131.8 x 96.7)cm	18" (45.7cm)	396 lb. 180 kg
D-33-HD	⅓ yd <sup>3</sup> (0.25 m <sup>3</sup> )	6,000 lb. (2,727.3 kg)	26" x 51 <sup>7</sup> / <sub>8</sub> " x 38 <sup>1</sup> / <sub>16</sub> " (66.0 x 131.8 x 96.7)cm	18" (45.7cm)	396 lb. 180 kg
D-50-HD	½ yd <sup>3</sup> (0.38 m <sup>3</sup> )	6,000 lb. (2,727.3 kg)	32 <sup>9</sup> / <sub>16</sub> " x 51 <sup>7</sup> / <sub>8</sub> " x 38 <sup>1</sup> / <sub>16</sub> " (82.7 x 131.8 x 96.7)cm	18" (45.7cm)	435 lb. 197.7 kg
D-75-HD	¾ yd <sup>3</sup> (0.57 m <sup>3</sup> )	6,000 lb. (2,727.3 kg)	32 <sup>9</sup> / <sub>16</sub> " x 61 <sup>1</sup> / <sub>8</sub> " x 42 <sup>3</sup> / <sub>4</sub> " (80.2 x 155.3 x 108.6)cm	18" (45.7cm)	542 lb. 246.4 kg
D-100-HD	1 yd <sup>3</sup> (0.76 m <sup>3</sup> )	6,000 lb. (2,727.3 kg)	42 <sup>9</sup> / <sub>16</sub> " x 61 <sup>1</sup> / <sub>8</sub> " x 42 <sup>3</sup> / <sub>4</sub> " (105.6 x 155.3 x 108.6)cm	18" (45.7cm)	590 lb. 268.2 kg
D-150-HD	1½ yd <sup>3</sup> (1.15 m <sup>3</sup> )	6,000 lb. (2,727.3 kg)	42 <sup>9</sup> / <sub>16</sub> " x 68 <sup>3</sup> / <sub>8</sub> " x 51 <sup>13</sup> / <sub>16</sub> " (110.6 x 173.7 x 131.6)cm	28" (71.1cm)	714 lb. 324.5 kg
D-200-HD	2 yd <sup>3</sup> (1.53 m <sup>3</sup> )	6,000 lb. (2,727.3 kg)	56 <sup>9</sup> / <sub>16</sub> " x 68 <sup>5</sup> / <sub>16</sub> " x 51 <sup>13</sup> / <sub>16</sub> " (143.7 x 173.5 x 131.6)cm	28" (71.1cm)	788 lb. 358.2 kg

D-250-HD	2½ yd³ (1.91 m³)	6,000 lb. (2,727.3 kg)	69 <sup>9</sup> / <sub>16</sub> " x 68 <sup>3</sup> / <sub>8</sub> " x 51 <sup>3</sup> / <sub>4</sub> " (176.7 x 173.7 x 131.4)cm	28" (71.1cm)	863 lb. 392.3 kg
D-300-HD	3 yd³ (2.29 m³)	6,000 lb. (2,727.3 kg)	81 <sup>3</sup> / <sub>4</sub> " x 68 <sup>5</sup> / <sub>8</sub> " x 51 <sup>13</sup> / <sub>16</sub> " (207.6 x 174.3 x 131.6)cm	28" (71.1cm)	940 lb. 427.3 kg
D-300-HD-NA	3 yd³ (2.29 m³)	6,000 lb. (2,727.3 kg)	55 <sup>5</sup> / <sub>16</sub> " x 79 <sup>3</sup> / <sub>8</sub> " x 64 <sup>3</sup> / <sub>8</sub> " (140.5 x 201.6 x 163.5)cm	28 in. (71.1cm)	1115 lb. 506.8 kg
D-350-HD	3½ yd³ (2.69 m³)	6,000 lb. (2,727.3 kg)	64" x 79 <sup>3</sup> / <sub>8</sub> " x 64 <sup>3</sup> / <sub>8</sub> " (162.6 x 201.6 x 163.5)cm	28 in. (71.1cm)	1169 lb. 531.4 kg
D-400-HD	4 yd³ (3.08 m³)	6,000 lb. (2,727.3 kg)	72 <sup>11</sup> / <sub>16</sub> " x 79 <sup>3</sup> / <sub>8</sub> " x 64 <sup>3</sup> / <sub>8</sub> " (184.6 x 201.6 x 163.5)cm	28 in. (71.1cm)	1224 lb. 556.4 kg
D-500-HD	5 yd³ (3.85 m³)	6,000 lb. (2,727.3 kg)	90" x 79 <sup>3</sup> / <sub>8</sub> " x 64 <sup>3</sup> / <sub>8</sub> " (228.6 x 201.6 x 163.5)cm	28 in. (71.1cm)	1332 lb. 605.5 kg

**Options**

Model	Description	Net Weight
LEKP	"Leak proof" welded hopper	5 lb. (2.3kg)
D-DPLG-75	¾in. drain plug option	2 lb. (0.9kg)
D-DPLG-2	2in. drain plug option	2 lb. (0.9kg)
LUG	4 welded lifting lugs (around perimeter of hopper mouth)	23 lb. (10.5kg)
D-PIN	Steel fork retaining pin (tine lock)	5 lb. (2.3kg)
D-TILT	Sideways chute dumping configuration; D-75-LD and D-100-LD models only	130 lb. (59.1kg)

**Heavy-duty polyethylene lids**

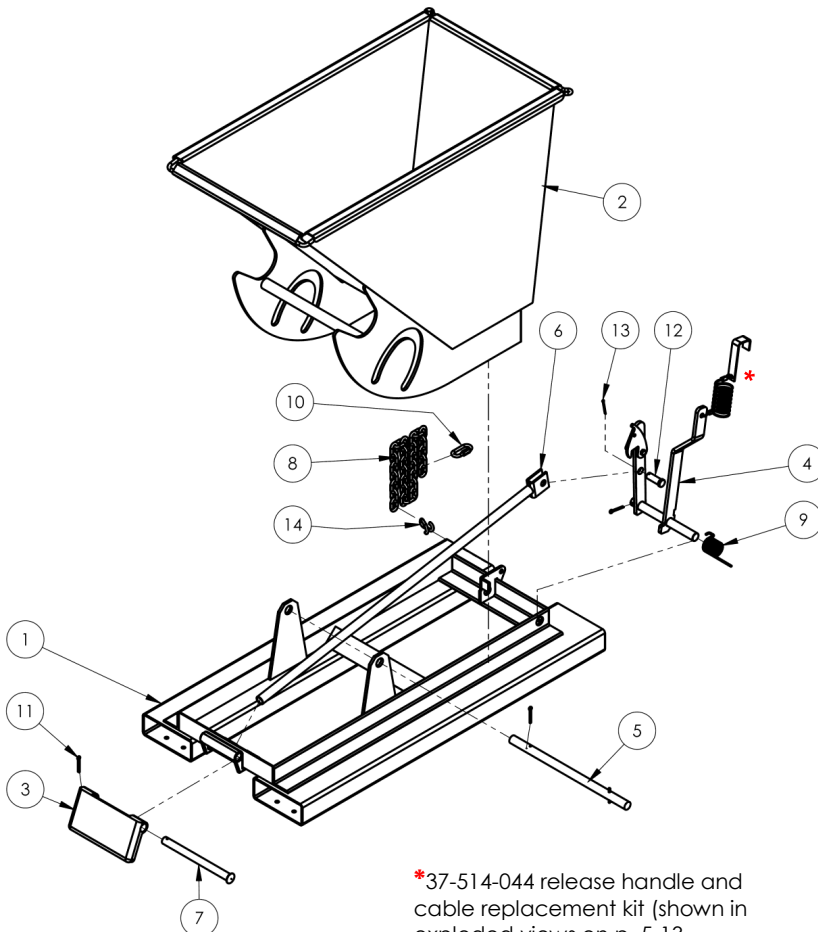
Lid Model	Parts	Description	Fits Hopper Models	Net Weight
PLID-D-25	37-024-087-002 37-112-028 37-016-034 37-016-033	Plastic lid Prop rod / hinge pin Bracket, Lid hinge, right Bracket, lid hinge, left	D-25-LD, D-25-MD, D-25-HD	16 lb. (7.3kg)
PLID-D-33	37-024-087-002 37-112-028 37-016-034 37-016-033	Plastic lid Prop rod / hinge pin Bracket, Lid hinge, right Bracket, lid hinge, left	D-33-LD, D-33-MD, D-33-HD	16 lb. (7.3kg)
PLID-D-50	37-024-087-001 37-112-029 37-016-034 37-016-033	Plastic lid Prop rod / hinge pin Bracket, Lid hinge, right Bracket, lid hinge, left	D-50-LD, D-50-MD, D-50-HD	21 lb. (9.5kg)
PLID-D-75	37-024-086-002 37-112-030 37-016-034 37-016-033	Plastic lid Prop rod / hinge pin Bracket, Lid hinge, right Bracket, lid hinge, left	D-75-LD, D-75-MD, D-75-HD	22 lb. (10kg)
PLID-D-100	37-024-086-001 37-112-031 37-016-034 37-016-033	Plastic lid Prop rod / hinge pin Bracket, Lid hinge, right Bracket, lid hinge, left	D-100-LD, D-100-MD, D-100-HD	28 lb. (12.7kg)
PLID-D-150	37-024-085-004 37-112-032 37-016-034 37-016-033	Plastic lid Prop rod / hinge pin Bracket, Lid hinge, right Bracket, lid hinge, left	D-150-LD, D-150-MD, D-150-HD	33 lb. (15kg)
PLID-D-200	37-024-089 37-112-033 37-016-034 37-016-033	Plastic lid Prop rod / hinge pin Bracket, Lid hinge, right Bracket, lid hinge, left	D-200-LD, D-200-MD, D-200-HD	58 lb. (26.4kg)
PLID-D-250	37-024-085-002 37-112-034 37-016-034 37-016-033	Plastic lid Prop rod / hinge pin Bracket, Lid hinge, right Bracket, lid hinge, left	D-250-LD, D-250-MD, D-250-HD	51 lb. (23.2kg)
PLID-D-300	37-024-085-001 37-112-035 37-016-034 37-016-033	Plastic lid Prop rod / hinge pin Bracket, Lid hinge, right Bracket, lid hinge, left	D-300-LD, D-300-MD, D-300-HD	61 lb. (27.7kg)

**Caster kits**

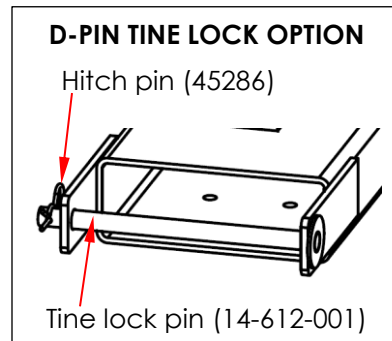
Model	Dimensions	Uniform Capacity	Caster Material	Quantity per Order	Net Weight
D-CK4-SC6-2	6" x 2" (15¼ x 5.1)cm	4,800 lb. (2,182 kg)	Semi-steel	4	33 lb. (15kg)
D-CK4-SC8-2	8" x 2" (20.3 x 5.1)cm	4,800 lb. (2,182 kg)	Semi-steel	4	42 lb. (19.1kg)
D-CK4-MR6-2	6" x 2" (15¼ x 5.1)cm	2,400 lb. (1,091 kg)	Mold-on rubber	4	29 lb. (13.2kg)
D-CK4-MR8-2	8" x 2" (20.3 x 5.1)cm	2,400 lb. (1,091 kg)	Mold-on rubber	4	37 lb. (16.8kg)
D-CK4-PU6-2	6" x 2" (15¼ x 5.1)cm	4,800 lb. (2,182 kg)	Polyurethane on steel	4	31 lb. (14.1 kg)
D-CK4-PU8-2	8" x 2" (20.3 x 5.1)cm	5,000 lb. (2,273 kg)	Polyurethane on steel	4	42 lb. (19.1 kg)
D-CK4-GFN6-2	6" x 2" (15¼ x 5.1)cm	4,800 lb. (2,182kg)	Glass-filled nylon	4	19 lb. (8.6 kg)
D-CK4-GFN8-2	8" x 2" (20.3 x 5.1)cm	5,000 lb. (2,273 kg)	Glass-filled nylon	4	22 lb. (10 kg)
D-CK4-SC6-2HD	6" x 2" (15¼ x 5.1)cm	8,000 lb. (2,727 kg)	Ductile steel	4	43 lb. (19.5 kg)

**NOTE: Select a caster kit whose capacity equals or exceeds the maximum rated load of your hopper!**

**D-25 series hoppers exploded parts diagram & bill of materials**



\*37-514-044 release handle and cable replacement kit (shown in exploded views on p. 5-13.

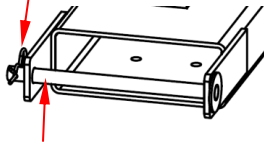


Item	Part no.	Description	Qty.
1	37-514-007	Frame, weldment, base	1
2	37-545-041 37-545-011	Weldment, chute: D-25-LD D-25-MD & D-25-HD	1 1
3	37-037-040	Bumper release for D-hoppers	1
4	37-537-021	Weldment, lock, release, lever assembly	1
5	37-612-005	Subassembly, pin, main connection pin	1
6	37-537-007	Release lever rod weldment	1
7	37-112-006	Pin, bumper plate	1
8	99-145-037	5/16" chain 36" long	1
9	37-146-005	Spring, torsion, hopper release	1
10	99-145-053	5/16" quick link	1
11	65127	Cotter pin, zinc-plated, 3/16" x 2"	3
12	28-112-043	Pin, 3/4" x 2" retaining clevis	1
13	65080	Extended prong cotter pin, zinc finish, 1/8" x 2"	1
14	99-145-084	Lap link	1

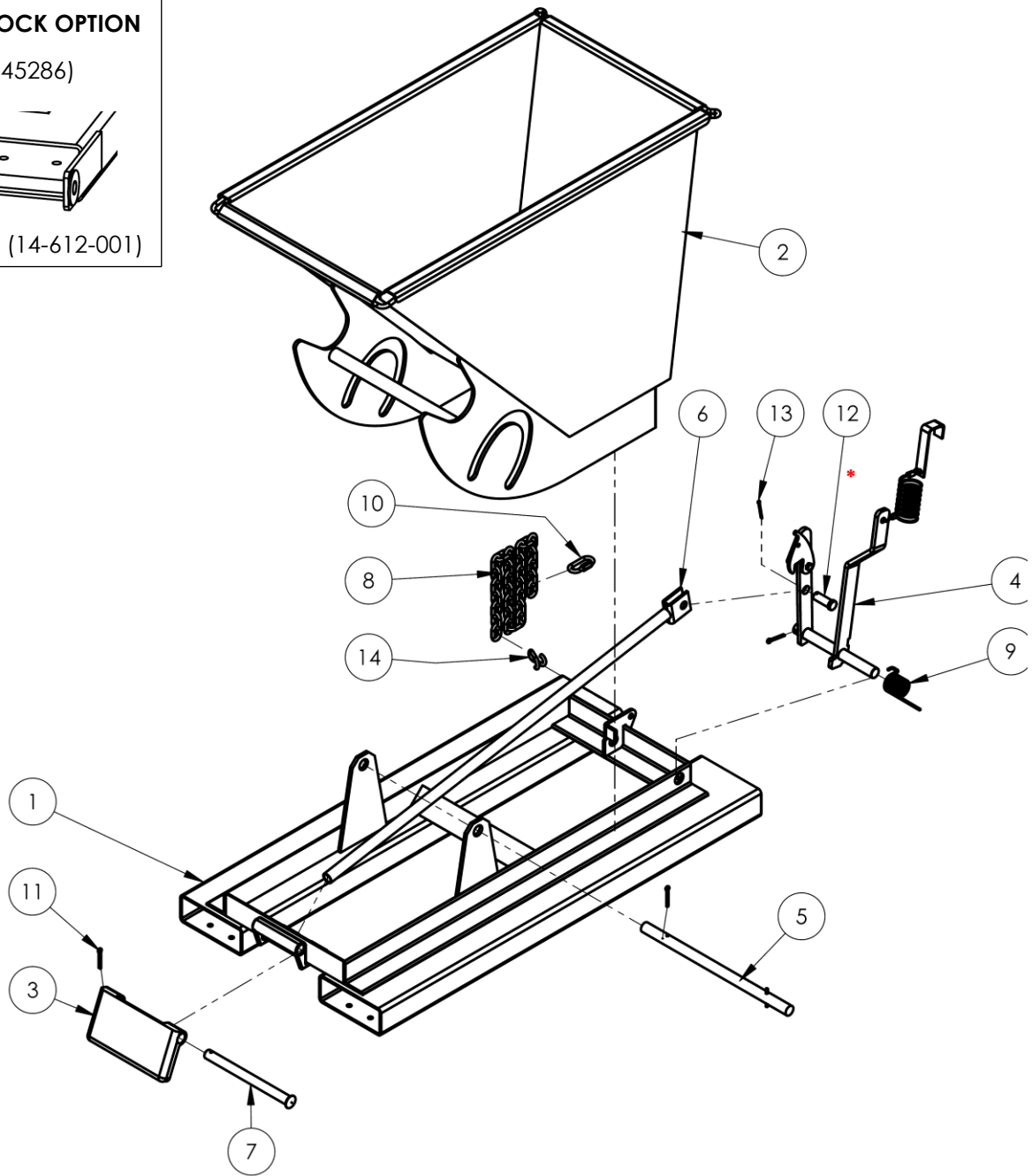
### D-33 series hoppers exploded parts diagram & bill of materials

**D-PIN TINE LOCK OPTION**

Hitch pin (45286)

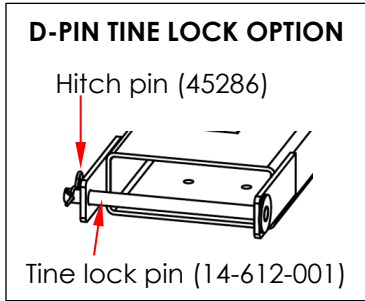


Tine lock pin (14-612-001)

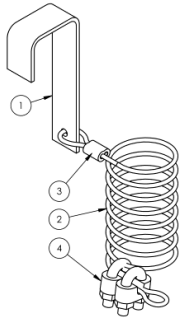


Item	Part no.	Description	Qty.	Item	Part no.	Description	Qty.
1	37-514-007	Frame, weldment, base	1	8	99-145-037	5/16" chain 36" long	1
2	37-545-041 37-545-011	Weldment, chute: D-25-LD D-25-MD & D-25-HD	1 1	9	37-146-005	Spring, torsion, hopper release	1
3	37-037-040	Bumper release for D-hoppers	1	10	99-145-053	5/16" quick link	1
4	37-537-021	Weldment, lock, release, lever assembly	1	11	65127	Cotter pin, zinc-plated, 3/16" x 2"	3
5	37-612-005	Subassembly, pin, main connection pin	1	12	28-112-043	Pin, 3/4" x 2" retaining clevis	1
6	37-537-007	Release lever rod weldment	1	13	65080	Extended prong cotter pin, zinc finish, 1/8" x 2"	1
7	37-112-006	Pin, bumper plate	1	14	99-145-084	Lap link	1

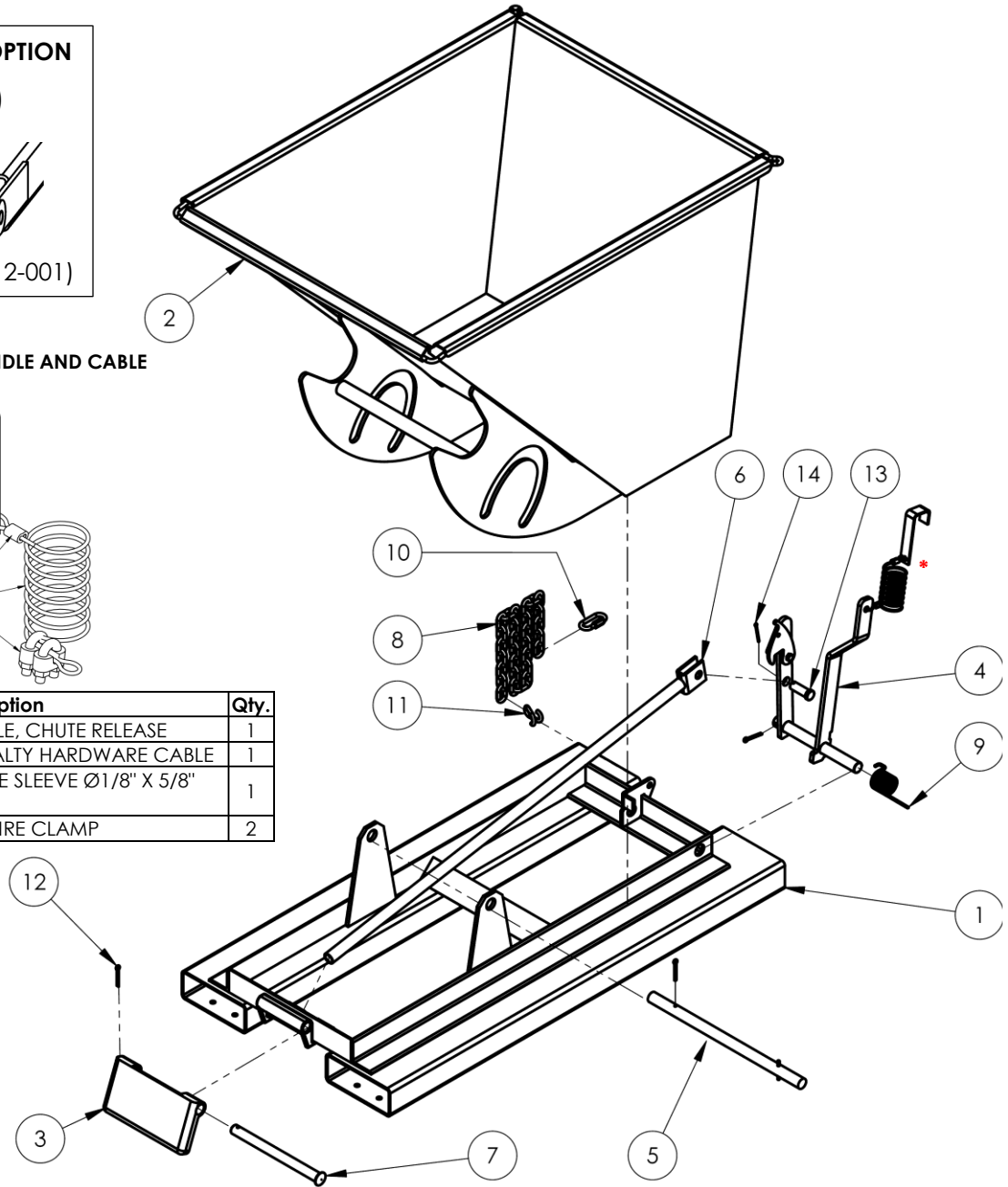
## D-50 series hoppers exploded parts diagram & bill of materials



**\*37-514-044 RELEASE HANDLE AND CABLE REPLACEMENT KIT**



Item	Part no.	Description	Qty.
1	37-025-002	HANDLE, CHUTE RELEASE	1
2	37-145-001	SPECIALTY HARDWARE CABLE	1
3	43383	SWAGE SLEEVE Ø1/8" X 5/8" LONG	1
4	43403	1/4" WIRE CLAMP	2

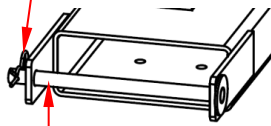


Item	Part no.	Description	Qty.	Item	Part no.	Description	Qty.
1	37-514-007	Frame, weldment, base	1	8	99-145-037	5/16" chain 36" long	1
2	37-545-043	Weldment, chute:	1	9	37-146-005	Spring, torsion, hopper release	1
	37-545-012	D-50-LD	1				
		D-50-MD & D-50-HD	1				
3	37-037-040	Bumper release for D-hoppers	1	10	99-145-053	5/16" quick link	1
4	37-537-021	Weldment, lock, release, lever assembly	1	11	99-145-084	Lap link	1
5	37-612-005	Subassembly, pin, main connection pin	1	12	65127	Cotter pin, zinc-plated, 3/16" x 2"	3
6	37-537-007	Release lever rod weldment	1	13	28-112-043	Pin, 3/4" x 2" retaining clevis	1
7	37-112-006	Pin, bumper plate	1	14	65080	Extended prong cotter pin, zinc finish, 1/8" x 2"	1

## D-75 series hoppers exploded parts diagram & bill of materials

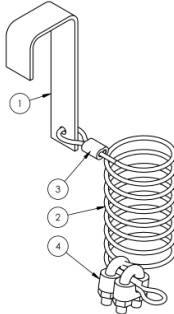
### D-PIN TINE LOCK OPTION

Hitch pin (45286)

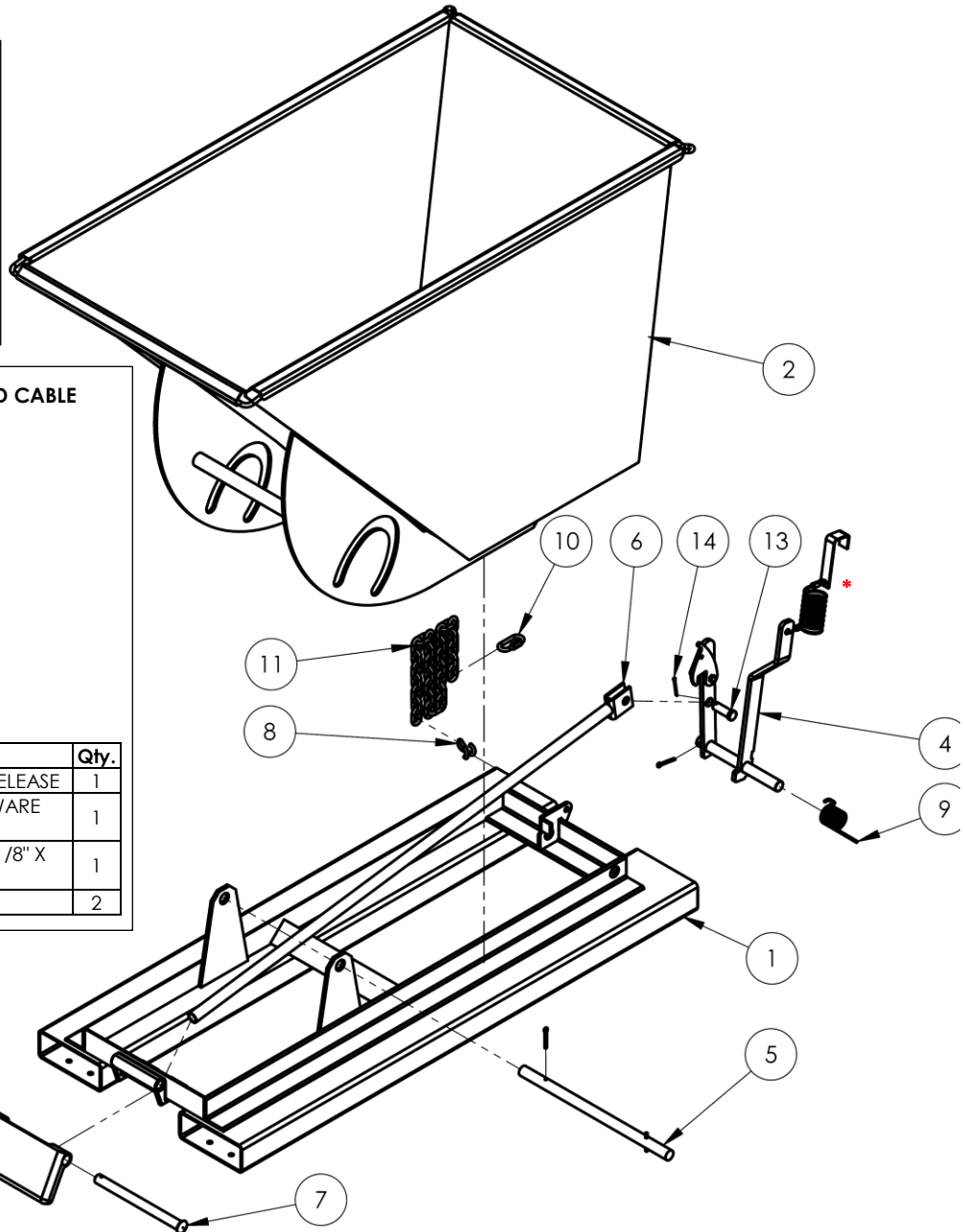


Tine lock pin (14-612-001)

### \*37-514-044 RELEASE HANDLE AND CABLE REPLACEMENT KIT



Item	Part no.	Description	Qty.
1	37-025-002	HANDLE, CHUTE RELEASE	1
2	37-145-001	SPECIALTY HARDWARE CABLE	1
3	43383	SWAGE SLEEVE Ø1/8" X 5/8" LONG	1
4	43403	1/4" WIRE CLAMP	2

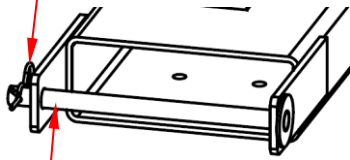


Item	Part no.	Description	Qty.	Item	Part no.	Description	Qty.
1	37-514-008	Frame, weldment, base	1	8	99-145-084	Lap link	1
2	37-545-050 37-545-013	Chute weldment: D-75-LD D-75-MD & D-75-HD	1 1	9	37-146-005	Spring, torsion, hopper release	1
3	37-037-040	Bumper release for D-hoppers	1	10	99-145-053	5/16" quick link	1
4	37-537-021	Weldment, lock, release, lever assembly	1	11	99-145-037	5/16" chain 36" long	1
5	37-612-005	Subassembly, pin, main connection pin	1	12	65127	Cotter pin, zinc plated, 3/16" x 2"	3
6	37-537-006	Release lever rod weldment	1	13	28-112-043	Pin, 3/4" x 2" long retaining clevis	1
7	37-112-006	Pin, bumper plate	1	14	65080	Extended prong cotter pin, zinc finish, 1/8" x 2"	1

### D-100 series hoppers exploded parts diagram & bill of materials

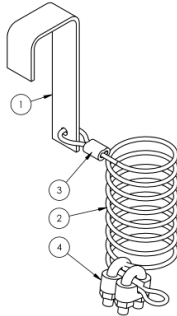
**D-PIN TINE LOCK OPTION**

Hitch pin (45286)

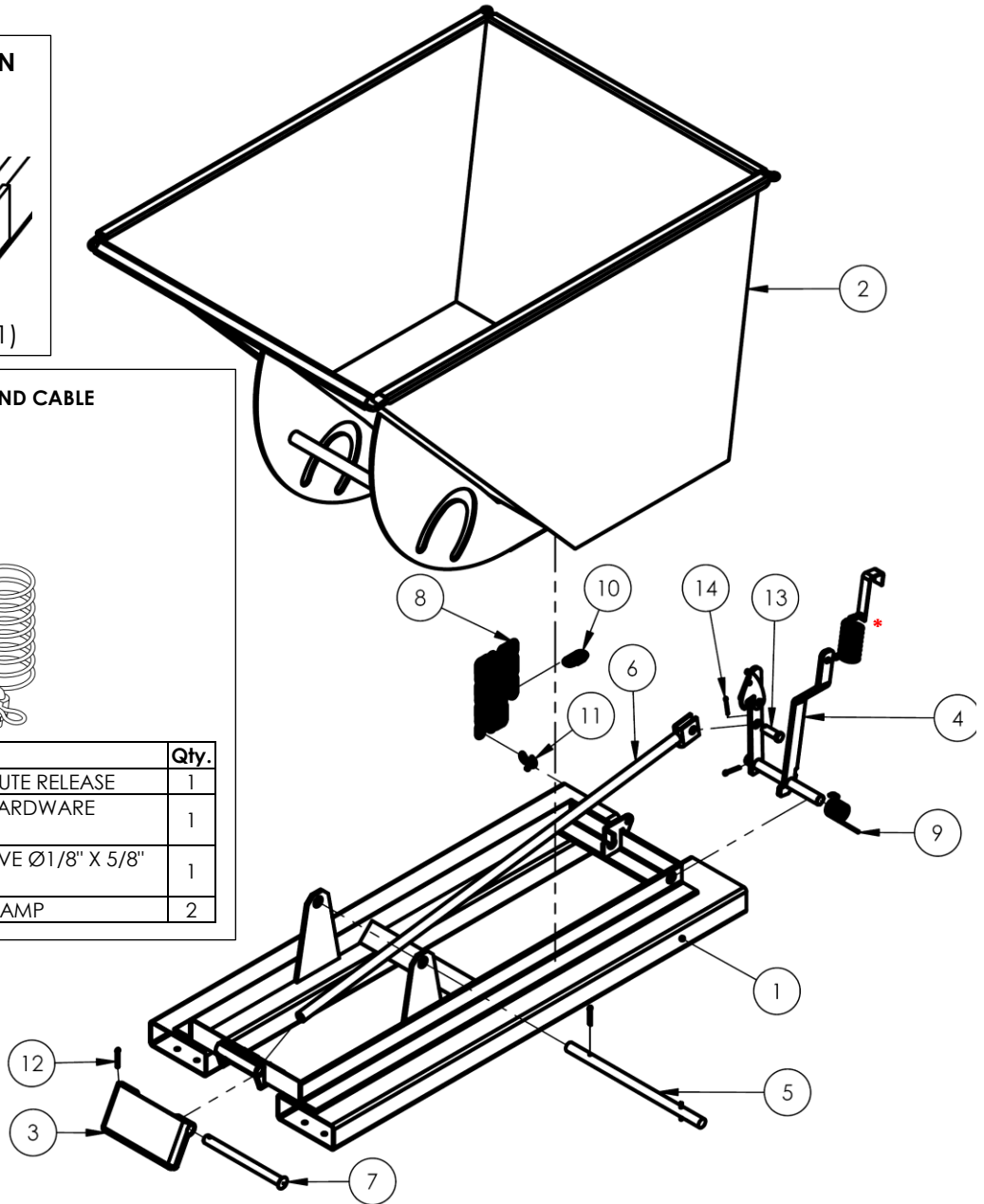


Tine lock pin (14-612-001)

**\*37-514-044 RELEASE HANDLE AND CABLE REPLACEMENT KIT**



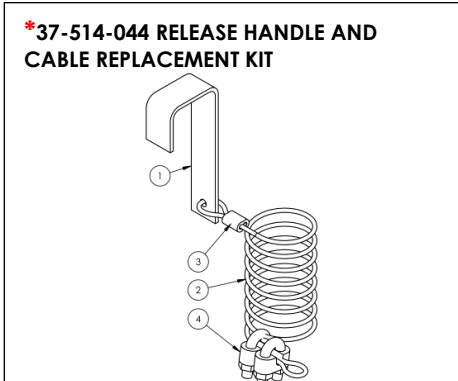
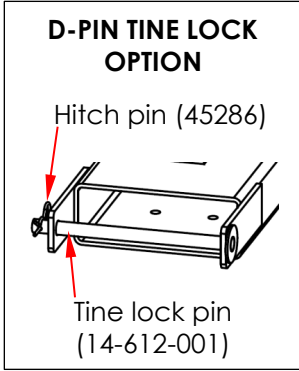
Item	Part no.	Description	Qty.
1	37-025-002	HANDLE, CHUTE RELEASE	1
2	37-145-001	SPECIALTY HARDWARE CABLE	1
3	43383	SWAGE SLEEVE Ø1/8" X 5/8" LONG	1
4	43403	1/4" WIRE CLAMP	2



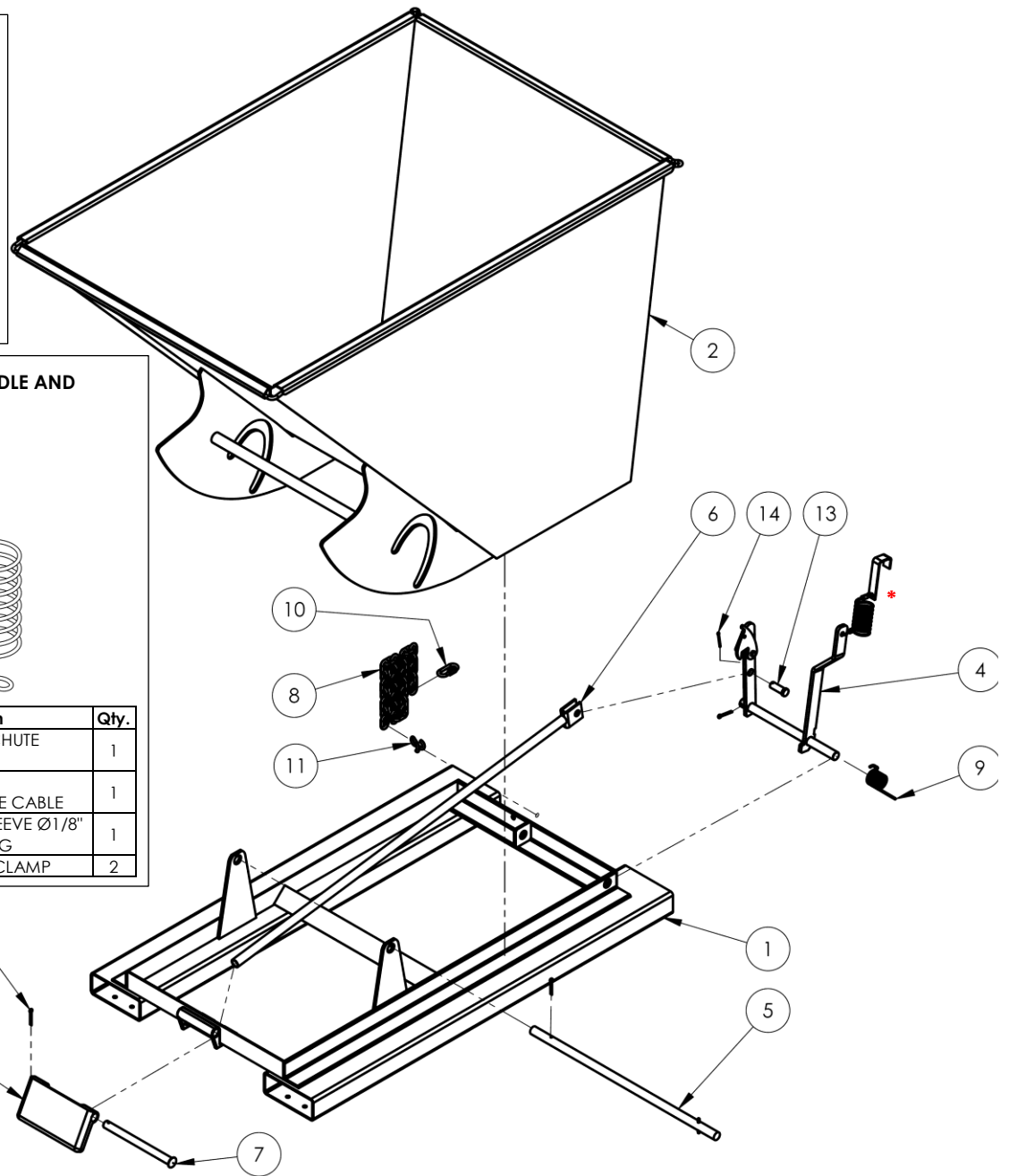
Item	Part no.	Description	Qty.	Item	Part no.	Description	Qty.
1	37-514-008	Frame, weldment, base	1	8	99-145-037	5/16" chain 36" long	1
2	37-545-022 37-545-045 37-545-014	Chute, weldment: D-100-LD D-100-MD D-100-HD	1	9	37-146-005	Spring, torsion, hopper release	1
3	37-037-040	Bumper release for D-hoppers	1	10	99-145-053	5/16" quick link	1
4	37-537-021	Weldment, lock, release, lever assembly	1	11	99-145-084	Lap link	1
5	37-612-005	Subassembly, pin, main connection pin	1	12	65127	Cotter pin, zinc plated, 3/16" x 2"	3
6	37-537-006	Release lever rod weldment	1	13	28-112-043	Pin, 3/4" x 2" long retaining clevis	1
7	37-112-006	Pin, bumper plate	1	14	65080	Extended prong cotter pin, zinc finish, 1/8" x 2"	1



### D-150 series hoppers exploded parts diagram & bill of materials

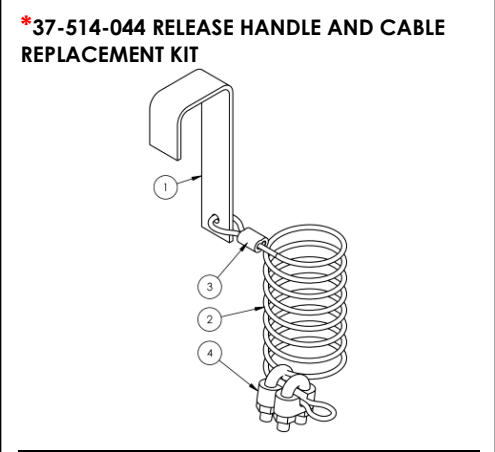
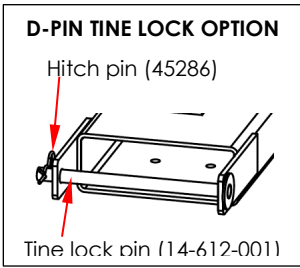


Item	Part no.	Description	Qty.
1	37-025-002	HANDLE, CHUTE RELEASE	1
2	37-145-001	SPECIALTY HARDWARE CABLE	1
3	43383	SWAGE SLEEVE Ø1/8" X 5/8" LONG	1
4	43403	1/4" WIRE CLAMP	2

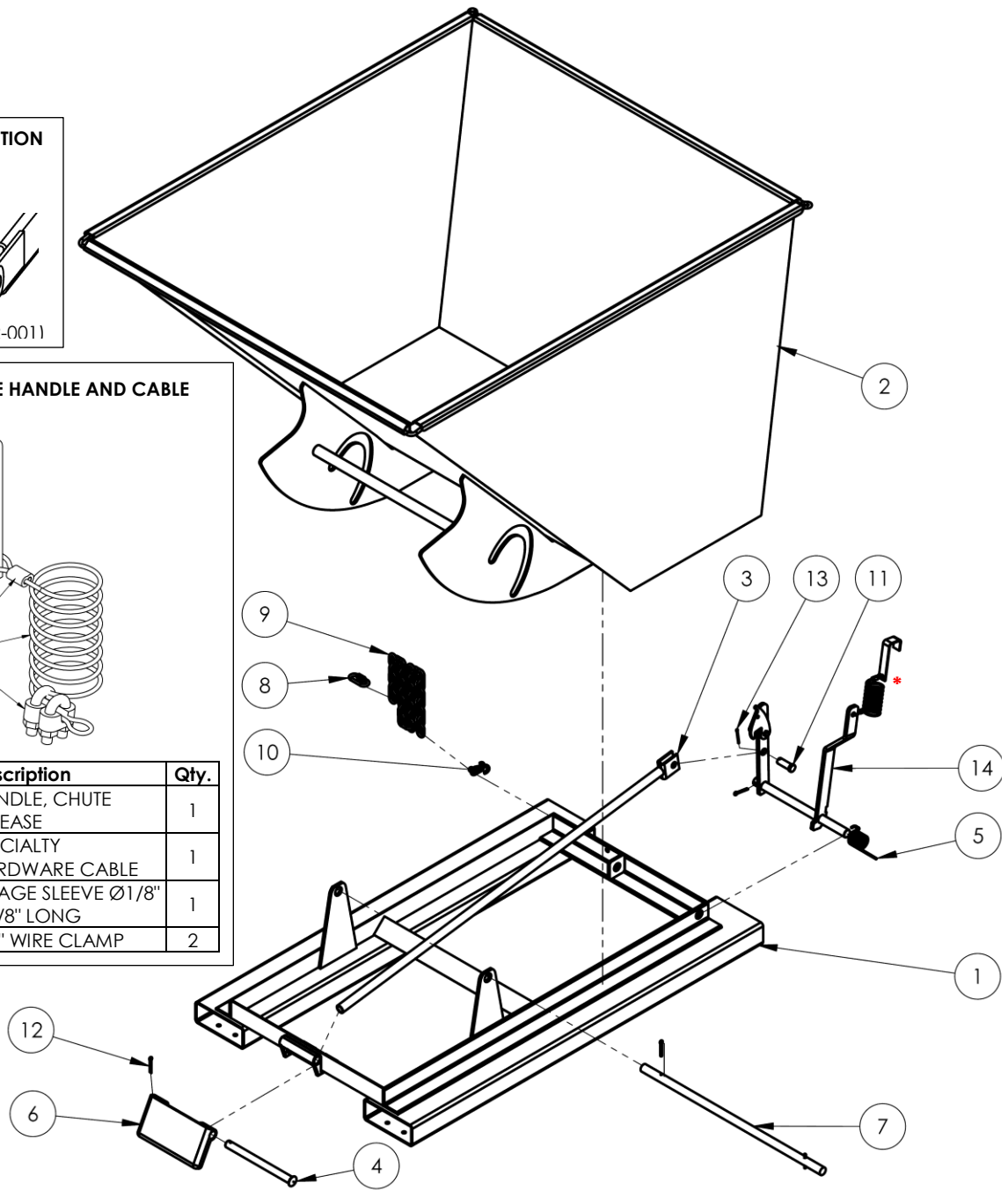


Item	Part no.	Description	Qty.	Item	Part no.	Description	Qty.
1	37-514-004	Frame, weldment, base	1	8	99-145-037	5/16" chain 36" long	1
2	37-545-046	Weldment, chute:	1	9	37-146-005	Spring, torsion, hopper, release	1
	37-545-015	D-150-LD	1				
		D-150-MD & D-150-HD	1				
3	37-037-040	Bumper release for D-hoppers	1	10	99-145-053	5/16" quick link	1
4	37-537-020	Weldment, lock, release, lever assembly, hopper	1	11	99-145-084	Lap link	1
5	37-612-006	Subassembly, pin, main connection pin	1	12	65127	Cotter pin, zinc plated, 3/16" x 2"	3
6	37-537-006	Release lever rod weldment	1	13	28-112-043	Pin, 3/4" x 2" retaining clevis	1
7	37-112-006	Pin, bumper plate	1	14	65080	Extended prong cotter pin, zinc finish, 1/8" x 2"	1

# D-200 series hoppers exploded parts diagram & bill of materials



Item	Part no.	Description	Qty.
1	37-025-002	HANDLE, CHUTE RELEASE	1
2	37-145-001	SPECIALTY HARDWARE CABLE	1
3	43383	SWAGE SLEEVE Ø1/8" X 5/8" LONG	1
4	43403	1/4" WIRE CLAMP	2

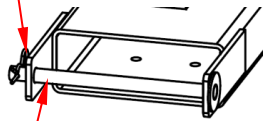


Item	Part no.	Description	Qty.	Item	Part no.	Description	Qty.
1	37-514-004	Frame, weldment, base	1	8	99-145-053	5/16" quick link	1
2	37-545-025	Weldment, chute: D-200-LD	1	9	99-145-037	5/16" chain 36" long	1
	37-545-026	D-200-MD	1				
	37-545-007	D-200-HD	1				
3	37-537-006	Release lever rod assembly	1	10	99-145-084	Lap link	1
4	37-112-006	Pin, bumper plate	1	11	28-112-043	Pin, 3/4" x 2" long retaining clevis	1
5	37-146-005	Spring, torsion, hopper release	1	12	65127	Cotter pin, zinc plated	3
6	37-037-040	Bumper release for D-hoppers	1	13	65080	Extended prong cotter pin, zinc finish, 1/8" x 2"	1
7	37-612-006	Subassembly, pin, main connection pin	1	14	37-537-020	Weldment, lock, release, lever assembly, hopper	1

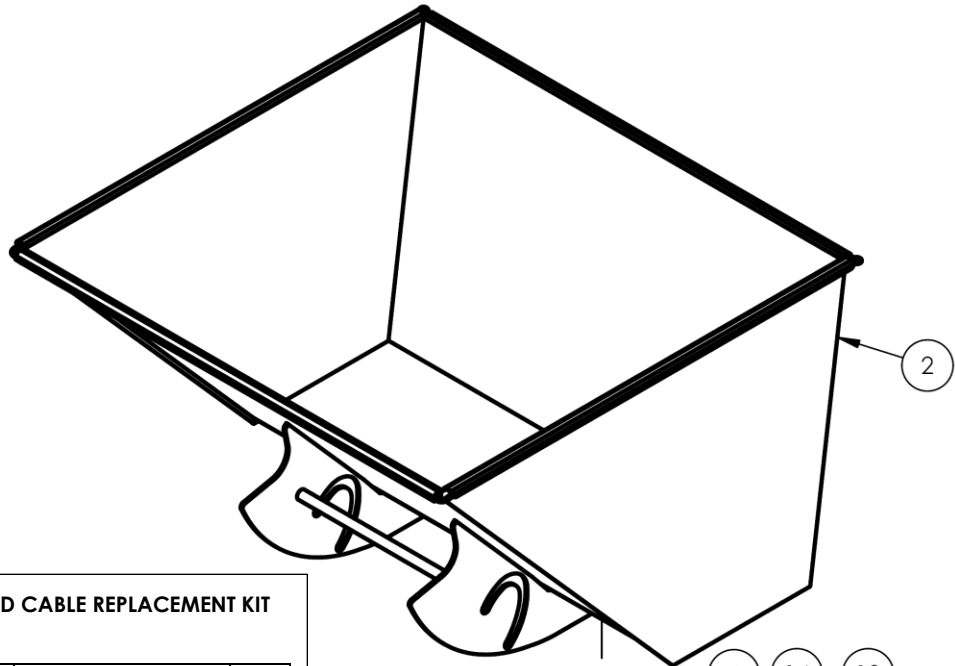
## D-250 series hoppers exploded parts diagram & bill of materials

### D-PIN TINE LOCK OPTION

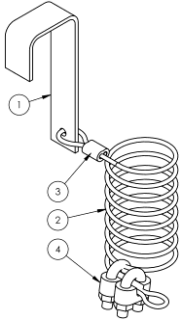
Hitch pin (45286)



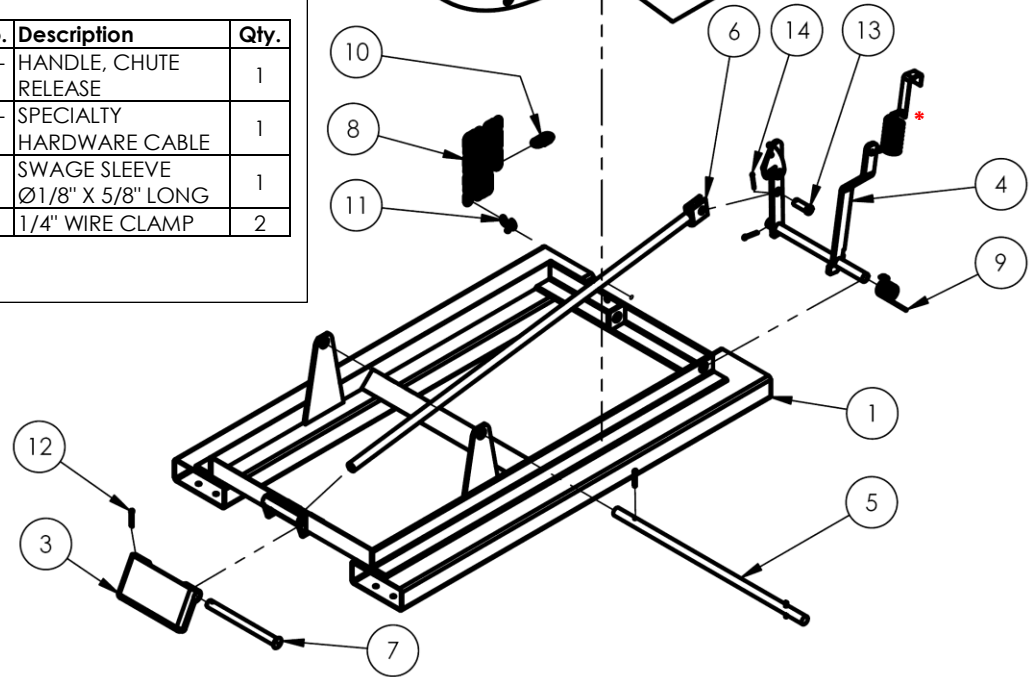
Tine lock pin (14-612-001)



### \*37-514-044 RELEASE HANDLE AND CABLE REPLACEMENT KIT

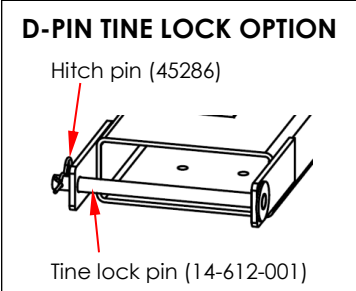
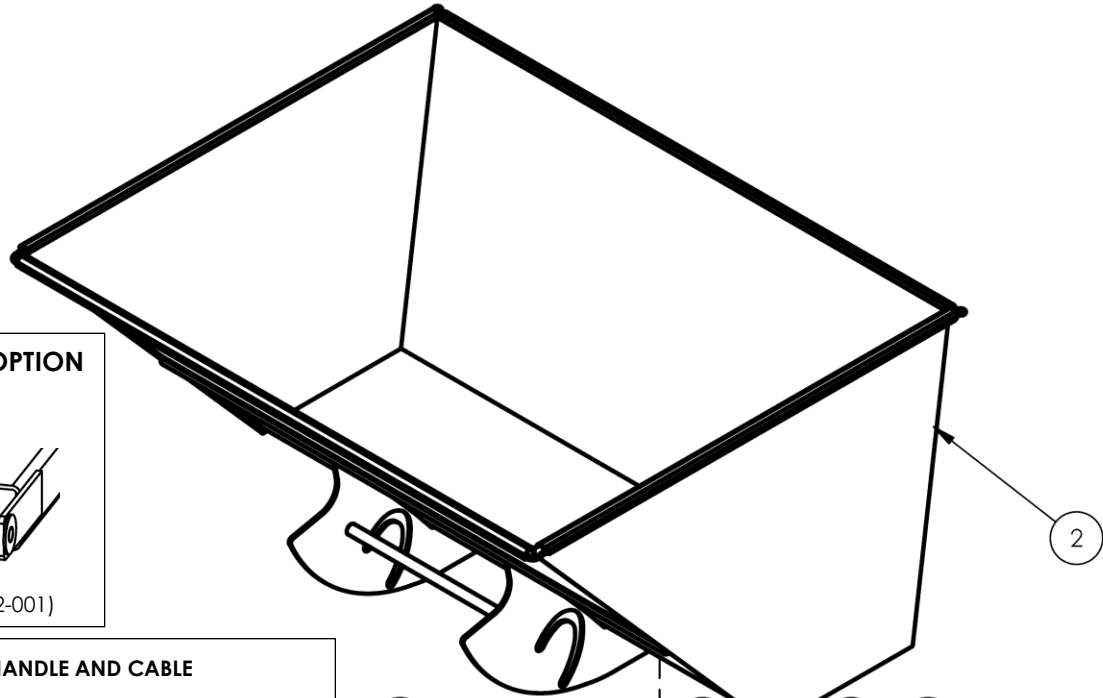


Item	Part no.	Description	Qty.
1	37-025-002	HANDLE, CHUTE RELEASE	1
2	37-145-001	SPECIALTY HARDWARE CABLE	1
3	43383	SWAGE SLEEVE Ø1/8" X 5/8" LONG	1
4	43403	1/4" WIRE CLAMP	2



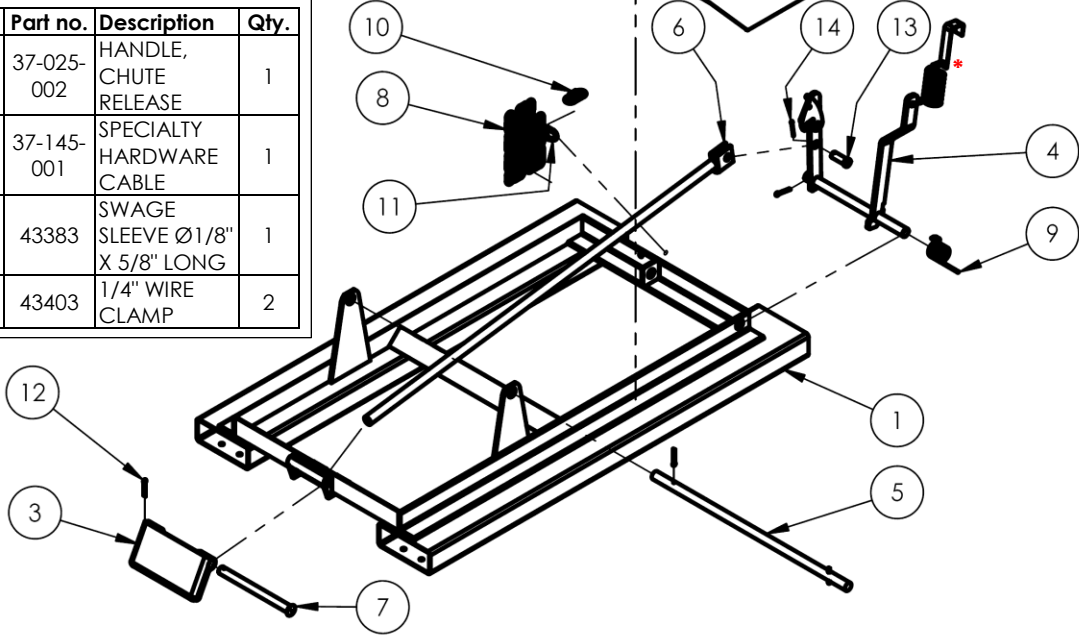
Item	Part no.	Description	Qty.	Item	Part no.	Description	Qty.
1	37-514-004	Frame, weldment, base	1	8	99-145-037	5/16" chain 36" long	1
2	37-545-016	Weldment, chute	1	9	37-146-005	Spring torsion, hopper release	1
3	37-037-040	Bumper release for D-hoppers	1	10	99-145-053	5/16" quick link	1
4	37-537-020	Weldment, lock, release, lever assembly, hopper	1	11	99-145-084	Lap link	1
5	37-612-006	Subassembly, pin, main connection pin	1	12	65127	Cotter pin, zinc plated, 3/16" x 2"	3
6	37-537-006	Release lever rod weldment	1	13	28-112-043	Pin, 3/4" x 2" long retaining clevis	1
7	37-112-006	Pin, bumper plate	1	14	65080	Extended prong cotter pin, zinc finish, 1/8" x 2"	1

# D-300 series hoppers exploded parts diagram & bill of materials



**\*37-514-044 RELEASE HANDLE AND CABLE REPLACEMENT KIT**

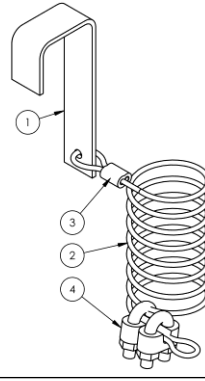
Item	Part no.	Description	Qty.
1	37-025-002	HANDLE, CHUTE RELEASE	1
2	37-145-001	SPECIALTY HARDWARE CABLE	1
3	43383	SWAGE SLEEVE Ø1/8" X 5/8" LONG	1
4	43403	1/4" WIRE CLAMP	2



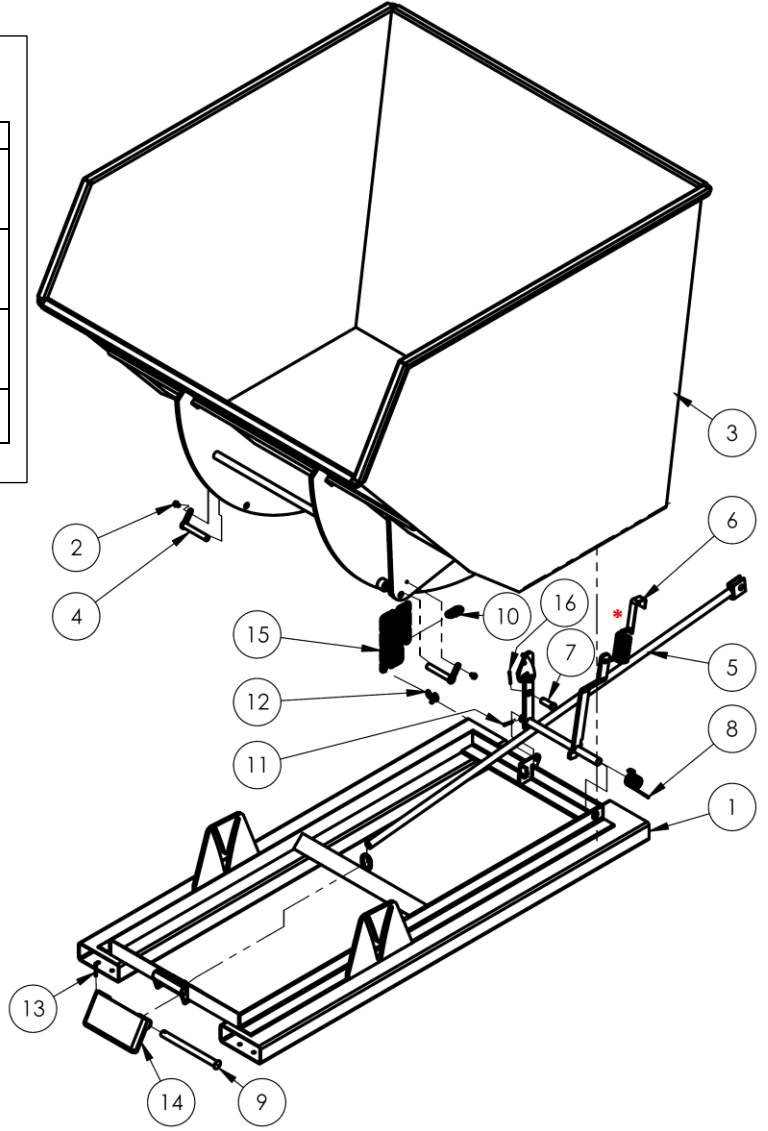
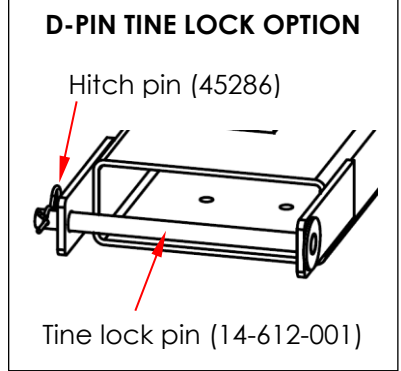
Item	Part no.	Description	Qty.	Item	Part no.	Description	Qty.
1	37-514-004	Frame, weldment, base	1	8	99-145-037	5/16" chain 36" long	1
2	37-545-006	Weldment, chute	1	9	37-146-005	Spring, torsion, hopper release	1
3	37-037-040	Bumper release for D-hoppers	1	10	99-145-053	5/16" quick link	1
4	37-537-020	Weldment, lock, release, lever assembly, hopper	1	11	99-145-084	Lap link	1
5	37-612-006	Subassembly, pin, main connection pin	1	12	65127	Cotter pin, zinc plated, 3/16" x 2"	3
6	37-537-006	Release lever rod weldment	1	13	28-112-043	Pin, 3/4" x 2" long retaining clevis	1
7	37-112-006	Pin, bumper plate	1	14	65080	Extended prong cotter pin, zinc finish, 1/8" x 2"	1

# D-300-HD-NA, D-350-HD, D-400-HD and D-500-HD series hoppers exploded parts diagram & bill of materials

**\*37-514-044 RELEASE HANDLE AND CABLE REPLACEMENT KIT**






Item	Part no.	Description	Qty.
1	37-025-002	HANDLE, CHUTE RELEASE	1
2	37-145-001	SPECIALTY HARDWARE CABLE	1
3	43383	SWAGE SLEEVE Ø1/8" X 5/8" LONG	1
4	43403	1/4" WIRE CLAMP	2



Item	Part no.	Description	Qty.	Item	Part no.	Description	Qty.
1	37-514-081	Weldment, frame, base	1	9	37-112-006	Pin, bumper plate	1
2	32415	5/16" - 18 x 1/2" HWH thread cutting screw, type F, zinc	2	10	99-145-053	5/16" quick link	1
3	37-545-106 37-545-104 37-545-090 37-545-088	Weldment, chute: D-300-HD-NA D-350-HD D-400-HD D-500-HD	1	11	65125	Cotter pin, zinc plated, 3/16" x 1 1/2"	1
4	37-612-004	Weldment, pin, main, connection pin	2	12	99-145-084	Lap link	1
5	37-537-019	Weldment, release lever rod	1	13	65127	Cotter pin, zinc plated, 3/16" x 2"	1
6	37-537-020	Weldment, lock, release, lever assembly, hopper	1	14	37-037-040	Bumper release for D-hoppers	1
7	28-112-043	Pin, 3/4" x 2" long retaining clevis	1	15	99-145-037	5/16" chain 36" long	1
8	37-146-005	Spring, torsion, hopper release	1	16	65080	Extended prong cotter pin, zinc finish, 1/8" x 2"	1

## SIGNAL WORDS

SIGNAL WORDS in this manual draw the reader's attention to important safety-related messages.

 <b>DANGER</b>	Identifies a hazardous situation which, if not avoided, <b>WILL</b> result in <b>DEATH</b> or <b>SERIOUS INJURY</b> . Use of this signal word is limited to the most extreme situations.
 <b>WARNING</b>	Identifies a hazardous situation which, if not avoided, <b>COULD</b> result in <b>DEATH</b> or <b>SERIOUS INJURY</b> .
 <b>CAUTION</b>	Indicates a hazardous situation which, if not avoided, <b>COULD</b> result in <b>MINOR</b> or <b>MODERATE</b> injury.
<b>NOTICE</b>	Identifies practices likely to result in product/property damage, such as operation that might damage the product.

## SAFETY INSTRUCTIONS

Vestil strives to identify all foreseeable hazards associated with the use of its products, but no manual can address every conceivable risk. Prevent injury by applying sound judgment whenever using this device. Acquire a copy of the latest version of ITSDF/ANSI B56.1 ("B56.1" or the "Standard"). The Standard is freely downloadable on [www.ITSDF.org](http://www.ITSDF.org). Apply all portions of Part II "For the User" about the use of attachments and removable attachments. The following instructions complement provisions of B56.1.

### **WARNING**

Risk of serious personal injuries or death! Always apply the following safety instructions.

- Before this product may be used, U.S. Occupational Safety and Health Administration rule 1910.178(a)(4) and (a)(5) require that the owner/user: 1) Obtain written approval from the manufacturer(s) of all forklifts [or from a professional engineer] that will be used with the hopper; 2) Change capacity, operation, & maintenance instruction plates, tags, or decals accordingly; AND 3) Mark the forklift truck to identify the beam and show the approximate weight of the truck and beam combination at maximum elevation with load laterally centered. Requirements are published at [https://www.osha.gov/pls/oshaweb/owadisp.show\\_document?p\\_table=STANDARDS&p\\_id=9828](https://www.osha.gov/pls/oshaweb/owadisp.show_document?p_table=STANDARDS&p_id=9828)
- DO NOT use this hopper with rough terrain lift trucks or telehandlers (boom trucks). ONLY use this hopper with high lift fork trucks utilizing a vertical mast and carriage. DO NOT mount the hopper on stackers or manually propelled lift trucks.
- DO NOT operate the truck carrying this hopper on unimproved surfaces. Only operate on concrete or asphalt surfaces.
- *Read & understand this entire manual before using, inspecting, or servicing the hopper.*
- Inspect the hopper as directed in the **INSPECTIONS & MAINTENANCE** section on p. 16. DO NOT use it unless it is in **SATISFACTORY CONDITION**. See **RECORD OF SATISFACTORY CONDITION** on p. 16.
- DO NOT use the hopper if the carriage chain is damaged or missing. DO NOT lift the hopper until it is securely connected to the carriage of the fork truck with the carriage chain.
- DO NOT fill the hopper beyond its maximum rated load. See **SPECIFICATIONS** tables on page 2.
- NO ONE should travel under the hopper at any time while it is elevated.
- NEVER wrap the release cable around your hand, fingers, or any other part of your body!
- **Hoppers with lifting lugs** can be lifted with overhead hoists and cranes. DO NOT lift a hopper unless the chute is securely latched to the frame.
- DO NOT allow people to ride on or in the hopper.
- DO NOT use the hopper if any label is unreadable or missing. Apply replacement labels before returning the hopper to service. See **LABELING DIAGRAM** on p. 17.
- ALWAYS apply proper lift truck operation techniques learned during your training program. Before raising the hopper from the floor, tilt the (forklift) mast toward the cab of the truck to ensure that the hopper will not slide off of the forks.
- DO NOT modify the hopper without first obtaining written approval from Vestil! Unapproved modifications might make the hopper unsafe & automatically void the **LIMITED WARRANTY** on p. 12.
- DO NOT dump the hopper UNLESS everyone in the vicinity is a safe distance from the dumping site.
- DO NOT dump the hopper unless the forklift is on an even, level surface.
- DO NOT exceed the load ratings or fill the hopper above the side walls. Injury to personnel or permanent damage to the equipment could result from overloading.

**NOTE:** This self-dumping hopper helps to prevent non-compliance with US Federal OSHA rule 1910.178(m)(5). Subpart 1910.178(m)(5)(iii) requires operators of powered trucks to fully lower the "load engaging means" [forks], neutralize truck controls, and set brakes whenever they dismount a lift truck & remain within 25ft of it. Operators can remain at the controls of their trucks throughout the dumping process while using this hopper.

## NATIONAL STANDARDS

US OSHA Rule 1910.178 (29 CFR 1910.178; the "Rule") classifies this device as a "front- end attachment" whenever it is mounted on a lift truck. The Rule incorporates American National Standard ANSI/ITSDF B56.1 (the "Standard"). The Standard is published by the Industrial Truck Standards Development Foundation on its website ([www.itsdf.org](http://www.itsdf.org)) where it is freely downloadable at <http://www.itsdf.org/cue/b56-standards.html>.

**Before putting this device into service**, acquire a copy of the Standard. Apply all relevant parts of Part II: For the User. If instructions provided in this manual apparently conflict with the Standard, then apply the instructions in the Standard. Vestil requests that you immediately bring to its attention any conflicts you discover by contacting its **TECHNICAL SERVICE** department. Contact information is provided on the cover page of this manual.

## USING THE HOPPER

Because this product is self-dumping, it helps to prevent non-compliance with US Federal OSHA rule 1910.178(m)(5). In particular, subpart 1910.178(m)(5)(iii), requires operators of powered trucks to fully lower the "load engaging means" (forks), neutralize truck controls, and set brakes whenever they dismount a lift truck and remain within 25ft of it. By allowing lift truck operators to remain at the controls of their trucks throughout the dumping process, there is no need to dismount the lift truck while dumping the hopper.

Confirm that the hopper chute is latched to the base frame (i.e. NOT released and cannot rotate) before filling the chute with refuse. Standard self-dumping hoppers are suitable for use indoors and outdoors and in most industrial and commercial settings. They are intended to be used with rider forklift trucks as a means for dumping non-hazardous refuse into larger trash receptacles. The chute rotates through a 70° dump angle. D-series hoppers can be dumped in 2 ways: 1) Manually—by pulling the release cable; and 2) Remotely—by pressing the bumper plate against an object.

**Step 1:** Drive the lift truck forward and insert the forks into the fork tubes. Drive forward until either: 1) the tips of the forks begin to stick out of the ends of the tubes; or 2) if the forks are not long enough to extend all the way through the tubes, drive forward as far as possible. *If your hopper includes tine lock option D-PIN*, drive as far forward as possible. Then, insert the tine lock pins (14-612-001 through the pin holes in the pin brackets at the end of each fork tube. Secure the tine lock pins in place with hitch pins (45286).

**Step 2:** Wrap the chain around part of the fork carriage. Connect the quick link at the end of the chain to a link in the chain with as little slack as possible.

**⚠️WARNING** DO NOT wrap the release cable around any part of your body, especially your hands. DO NOT attach the handle to your clothing. If you do and the chute is released, you might be **seriously** injured.

**Step 3:** If you will release the chute manually by pulling the release handle, store the handle within reach of the forklift operator, for example by hooking it to the frame of the cab. Make sure that there is plenty of slack in the cable to avoid accidentally releasing/dumping the chute.

**NOTE:** If you will use the bumper plate mechanism to dump the chute, attach the handle to the hopper frame. Do not hook the handle to the chute! It could be torn from the cable when the chute is dumped.

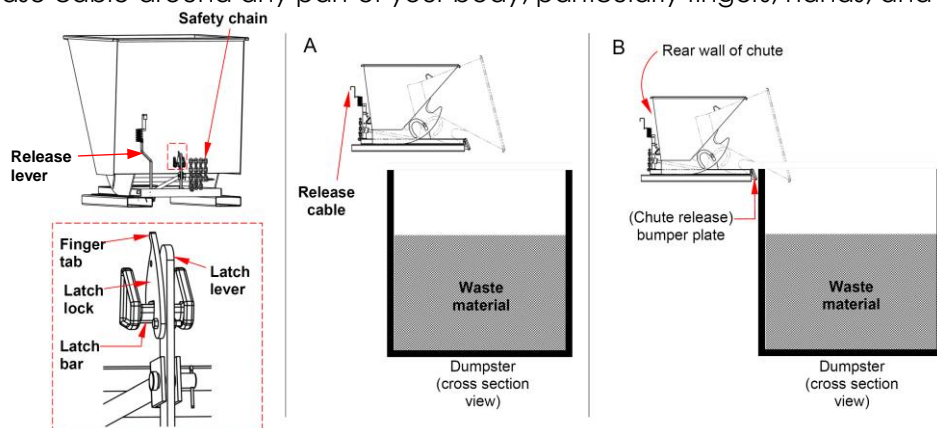
**Step 4:** Drive the forklift to the trash receptacle. Before raising the hopper, unlock the latch lever by pulling the finger tab until the lock disengages the latch bar. See diagrams with Step 5.

**Step 5:** Raise the forks and tilt the forklift mast backwards (towards the cab). Tilting the mast backwards makes it easier to release the latch. The hopper can now be dumped manually or remotely:

A) Manually: elevate the entire hopper above the side wall of the dumpster. See diagram A. Tilt the mast forward slightly and pull the release cable.

**NOTE: NEVER** wrap the release cable around any part of your body, particularly fingers, hands, and arms.

B) Remotely: elevate the hopper so that the bumper plate can contact the side of the dumpster at or near the top. See diagram B. Drive the forklift toward the dumpster and press the bumper plate against the top of the side wall. Tilt the mast forward slightly, if necessary, to dump the chute.



**Step 6:** Return the chute to the latched position. Tilt the forklift mast toward the cab and back away from the dumpster. The hopper should automatically return to the latched position. Confirm that the chute is latched to the base by tilting the mast forward (away from the cab). The chute should not dump. If the chute will not latch by tilting the mast backwards, set the hopper on the ground and manually latch the chute to the frame. Press down on the rear wall of the chute until the latch lever engages the latch bar. Apply the lock.

## RECORD OF SATISFACTORY CONDITION

After receiving the unit and before using it for the first time, create a record that describes the appearance and operation of the hopper. Thoroughly photograph the unit from multiple angles. Take close range photographs of the labels, release mechanisms, safety chain—particularly at each end, pivot points, and pivot point hardware. Mount the hopper on the forks of your forklift and apply the safety chain. Elevate the hopper and release the chute. Record your observations about how the unit looks and sounds as the chute rotates. Lower the unit and secure the chute to the frame. Record your observations. This written record establishes satisfactory condition. Compare the results of all inspections to this record to determine whether a component is in satisfactory condition or requires repair or replacement. If issues are discovered during an inspection, DO NOT use the hopper until it is restored to satisfactory condition. Purely cosmetic changes, like damaged surface coating (paint or powdercoat) are not changes from satisfactory condition. However, touchup paint should be applied wherever the finish is damaged as soon as damage occurs.

## INSPECTIONS & MAINTENANCE

Inspections and repairs should only be performed by qualified persons. Compare the results of each inspection to the [RECORD OF SATISFACTORY CONDITION](#) (the "RECORD"). Do not use the hopper unless all parts are in satisfactory condition. Replace parts that are not in satisfactory condition before using the hopper again. **DON'T GUESS! If you have any questions about the condition of your hopper, speak with TECHNICAL SERVICE personnel.** The phone number is provided on the cover page of this manual. **Never make temporary repairs of damaged or missing parts.** Only use manufacturer-approved replacement parts.

**Step 1:** At least once per month, tag the hopper "Out of Service."

**Step 2:** Inspect the hopper. Replace any component that is not in [satisfactory condition](#).

- 1) Pivot points: Check for excessive wear, warping, or other significant damage to pivot pins, cotter pins, and pin receivers.
- 2) Hopper chute and base frame: Examine the structures for damage, deformation, and corroded or excessively rusted regions. Remove rust with a steel bristle brush and apply touch-up paint to exposed metal.
- 3) Hardware (bolts, nuts, pins, cotter pins, retaining rings): Inspect hardware for looseness and severe wear. Tighten loose connections and replace all damaged hardware.
- 4) Casters (if hopper is equipped with caster kit): Check for looseness, excessive wear, and damage to the caster wheels, caster bearings, mounting brackets, and mounting hardware.
- 5) Release mechanism: The torsion spring should cause the latch lever to automatically recoil and the lever should firmly contact the release lock bar. Check the release cable for frays, thinning, corrosion, and bird-caging. Replacement kit 37-154-044 (shown in exploded views on p. 5-13) includes a handle, cable, and 2 wire clamps (1/4"). To install a replacement handle and cable kit, loosen the nuts of both wire clamps and feed the free end of the cable through the clamps. Insert the end of the cable through the hole in the manual chute release lever (see diagram on p. 15). Feed the cable back through the clamps and tighten all 4 nuts.
- 6) Pivot points: Listen for unusual sounds. Watch for irregular movements. Remove dirt and debris from areas that could affect the dumping motion.
- 7) Carriage chain: Examine the chain, the attachment to the base frame, & the quick links for damage.
- 8) Labels: All labels should be present in the locations shown in the [Labeling Diagram](#) on p. 17.

**Step 3:** Make all adjustments, replacements, and repairs necessary to restore [satisfactory condition](#).

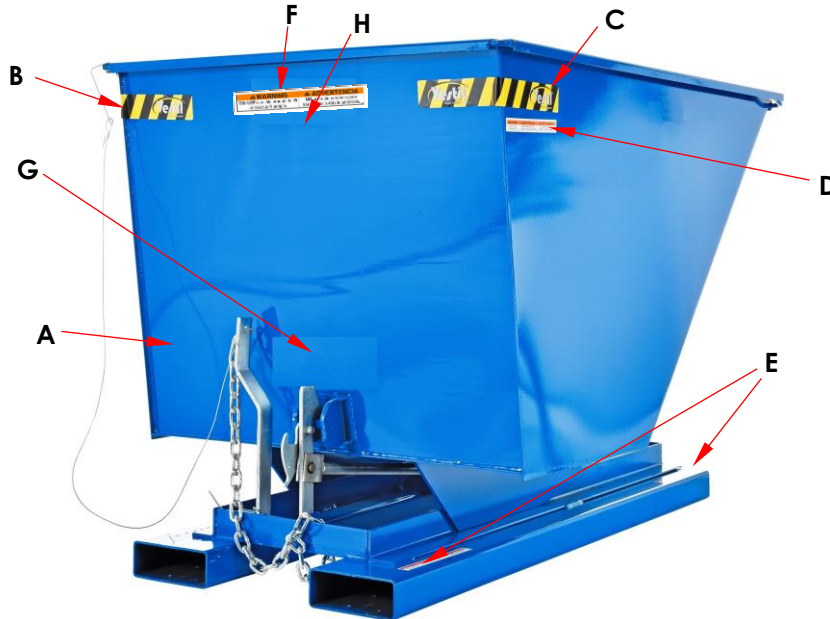
**⚠WARNING** DO NOT modify the hopper in any way without first obtaining written approval from Vestil. Modifications automatically void the [Limited Warranty](#) and might make the hopper unsafe to use. Modifications are changes that alter the hopper, like or removing or bending a component.

**Step 4:** Make a dated record of all repairs and replacements.



# LABELING DIAGRAM

The unit should be labeled as shown in the diagram. Label content and location are subject to change so your product might not be labeled exactly as shown. Compare this diagram to your *Record of Satisfactory Condition*. Replace all labels that are damaged, missing, or not easily readable (e.g. faded). Order replacement labels by contacting the *Replacement Parts Department* online at [http://www.vestilmfg.com/parts\\_info.htm](http://www.vestilmfg.com/parts_info.htm). Alternatively, you may request replacement parts and/or service by calling (260) 665-7586 and asking the operator to connect you to the Parts Department.



**A:** Label 620 (left side in-line with manual release handle)

⚠ WARNING	
	<p><b>DO NOT</b> wrap release cable around hand.</p> <p>Severe injury or amputation might occur if cable wrapped around body part when chute dumped.</p>

**STAY CLEAR** of hopper when dumping.

**DO NOT** hook manual release handle on hopper when using bumper release.

Each person who uses this hopper should have access to the user manual. Copies of the manual can be downloaded from [www.vestil.com](http://www.vestil.com).

⚠ ADVERTENCIA	
<p><b>NO AGARRAR</b> el cable con la mano.</p> <p>Puede causar un daño severo o amputación si el cable se envuelve alrededor del cuerpo al estar descargando la tolva.</p> <p><b>MANTENTE ALEJADO</b> de la tolva al descargar.</p> <p>Nunca agarrar el gancho de la tolva.</p> <p>Cada persona que use la tolva debe de usar el manual, las copias se pueden descargar de la dirección <a href="http://www.vestil.com">www.vestil.com</a>.</p>	

**B:** Label 1037 (CAUTION on side of hopper)

⚠ CAUTION	⚠ ATENCIÓN	⚠ ATTENTION
DO NOT PLAY ON OR AROUND	NO JUEGE ALREDEDOR	NE PAS JOUER SUR OU AUTOUR DE L'UNITÉ

**C:** Label 1023 (CAUTION on side of hopper)

⚠ CAUTION	⚠ ATENCIÓN	⚠ ATTENTION
DO NOT PLAY ON OR AROUND	NO JUEGE ALREDEDOR	NE PAS JOUER SUR OU AUTOUR DE L'UNITÉ

**H:** DO NOT use with telehandlers

⚠ WARNING	
<p>Using this front end attachment exposes occupants &amp; bystanders to risks of serious personal injuries or death.</p> <ul style="list-style-type: none"> <li><b>DO NOT</b> use this front end attachment with rough terrain lift trucks or telehandlers (boom lifts). <b>ONLY</b> use this attachment with high lift trucks utilizing a vertical mast and carriage.</li> <li><b>DO NOT</b> operate truck with attachment on unimproved surfaces. <b>ONLY</b> operate the truck with the attachment on concrete or asphalt surfaces capable of supporting the truck and a full capacity load.</li> </ul>	

**D:** Label 220 (both sides)

⚠ WARNING	⚠ ADVERTENCIA	⚠ AVERTISSEMENT
KEEP CLEAR WHEN IN USE	MANTENGASE ALEJADO CUANDO SE ESTA OPERANDO	SE TENIR À DISTANCE LORS DU FONCTIONNEMENT

**E:** Label 208 (both fork tubes)

⚠ WARNING	⚠ ADVERTENCIA	⚠ AVERTISSEMENT
KEEP CLEAR OF PINCH POINT	MANTENGASE ALEJADO DEL PUNTO DE CORTE	SE TENIR À DISTANCE DU POINT DE PINCEMENT

**I:** Label 1049

⚠ WARNING	
<p>Improper use of this fork attachment might result in death or serious injury.</p> <ul style="list-style-type: none"> <li>Using this front end attachment affects lift truck center of gravity.</li> <li>Before using this fork attachment, US Federal regulation 29 CFR 1910.178 requires you to contact the manufacturer of your lift truck and request:                     <ol style="list-style-type: none"> <li>Written approval [29 CFR 1910.178(a)(4)]</li> <li>Markings for (fork) lift truck that:                             <ul style="list-style-type: none"> <li>Identify the attachment;</li> <li>Give approximate weight of truck and attachment at maximum elevation with laterally-centered load. [29 CFR 1910.178(a)(5)].</li> </ul> </li> </ol> </li> <li><b>DO NOT</b> use UNTIL lift truck is marked with corrected capacity tags.</li> <li><b>CAPACITY OF TRUCK &amp; ATTACHMENT COMBINATION MIGHT BE LESS THAN CAPACITY OF ATTACHMENT. CONSULT TRUCK CAPACITY TAG/LABEL.</b></li> </ul>	

**F:** Label 995

⚠ WARNING	⚠ ADVERTENCIA
DO NOT use this product to lift or transport people.	NO use este producto para transportar o elevar personas.

**G:** Model specific label (see tables)

Model / Modelo / Modèle	⚠ WARNING	⚠ ADVERTENCIA
<b>D-</b> -	<ul style="list-style-type: none"> <li>SECURELY ATTACH safety restraint to forklift</li> <li>Tilt load backwards to prevent hopper from sliding</li> <li>Distribute load evenly</li> <li>DO NOT exceed rated capacity</li> <li>Hopper MUST be locked when not dumping</li> <li>Disengage lock on hopper release before dumping hopper</li> <li>DO NOT wrap release cable around any body part</li> </ul>	<ul style="list-style-type: none"> <li>ASEGURE la cadena de seguridad a la tranpaleta</li> <li>Vuelque la carga hacia atrás para prevenir que el carrito resbale</li> <li>Distribuya la carga uniformemente</li> <li>NO exceda la capacidad de carga tasada</li> <li>El depósito de alimentación debe ser cerrado al no descargar</li> <li>Suelte cerradura en la liberación de depósito de alimentación antes de descargar depósito de alimentación</li> <li>No envuelva cable de liberación alrededor de cualquier parte del cuerpo</li> </ul>
Capacity / Capacidad / Capacité	lb.	kg
Serial No. / Serie No. / Serie No.		

Model	Label	Model	Label
D-25-LD	549	D-75-LD	549
D-25-MD	549	D-75-MD	549
D-25-HD	549	D-75-HD	592
D-33-LD	549	D-100-LD	630
D-33-MD	549	D-100-MD	1050
D-33-HD	591	D-100-HD	644
D-50-LD	549	D-150-LD	549
D-50-MD	549	D-150-MD	549
D-50-HD	542	D-150-HD	544

Model	Label
D-200-LD	540
D-200-MD	541
D-200-HD	545
D-250-LD	549
D-250-MD	549
D-250-HD	593
D-300-LD	549
D-300-MD	631
D-300-HD	546
D-300-HD-NA	549
D-350-HD	549
D-400-HD	549
D-500-HD	549

## LIMITED WARRANTY

Vestil Manufacturing Company ("Vestil") warrants this product to be free of defects in material and workmanship during the warranty period. Our warranty obligation is to provide a replacement for a defective, original part covered by the warranty after we receive a proper request from the Warrantee (you) for warranty service.

### Who may request service?

Only a warrantee may request service. You are a warrantee if you purchased the product from Vestil or from an authorized distributor AND Vestil has been fully paid.

### Definition of "original part"?

An original part is a part used to make the product as shipped to the Warrantee.

### What is a "proper request"?

A request for warranty service is proper if Vestil receives: 1) a photocopy of the Customer Invoice that displays the shipping date; AND 2) a written request for warranty service including your name and phone number. Send requests by one of the following methods:

<u>US Mail</u>	<u>Fax</u>	<u>Email</u>
Vestil Manufacturing Company 2999 North Wayne Street, PO Box 507 Angola, IN 46703	(260) 665-1339 <u>Phone</u> (260) 665-7586	<a href="mailto:info@vestil.com">info@vestil.com</a> Enter "Warranty service request" in the subject field.

In the written request, list the parts believed to be defective and include the address where replacements should be delivered. After Vestil receives your request for warranty service, an authorized representative will contact you to determine whether your claim is covered by the warranty. Before providing warranty service, Vestil will require you to send the entire product, or just the defective part (or parts), to its facility in Angola, IN.

### What is covered under the warranty?

The warranty covers defects in the following original, dynamic parts: motors, hydraulic pumps, motor controllers, and cylinders. It also covers defects in original parts that wear under normal usage conditions ("wearing parts"), such as bearings, hoses, wheels, seals, brushes, and batteries.

### How long is the warranty period?

The warranty period for original dynamic components is 90 days. For wearing parts, the warranty period is 90 days. Both warranty periods begin on the date Vestil ships the product to the Warrantee. If the product was purchased from an authorized distributor, the periods begin when the distributor ships the product. Vestil may, at its sole discretion, extend a warranty period for products shipped from authorized distributors by up to 30 days to account for shipping time.

### If a defective part is covered by the warranty, what will Vestil do to correct the problem?

Vestil will provide an appropriate replacement for any covered part. An authorized representative of Vestil will contact you to discuss your claim.

### What is not covered by the warranty?

The Warrantee (you) is responsible for paying labor costs and freight costs to return the product to Vestil for warranty service.

### Events that automatically void this Limited Warranty.

- Misuse;
- Negligent assembly, installation, operation or repair;
- Installation/use in corrosive environments;
- Inadequate or improper maintenance;
- Damage sustained during shipping;
- Collisions or other accidents that damage the product;
- Unauthorized modifications: Do not modify the product IN ANY WAY without first receiving written authorization from Vestil.

### Do any other warranties apply to the product?

Vestil Manufacturing Co. makes no other express warranties. All implied warranties are disclaimed to the extent allowed by law. Any implied warranty not disclaimed is limited in scope to the terms of this Limited Warranty. Vestil makes no warranty or representation that this product complies with any state or local design, performance, or safety code or standard. Noncompliance with any such code or standard is not a defect in material or workmanship.