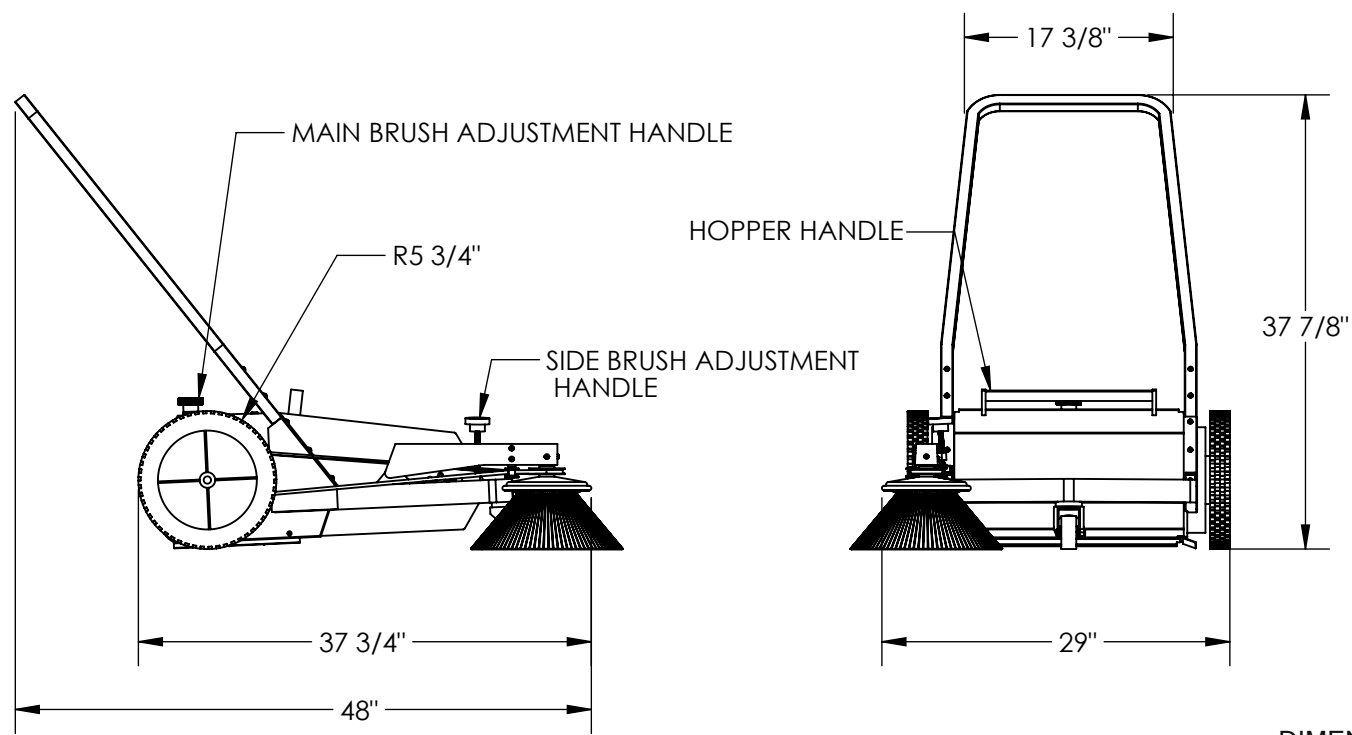


MANUAL BRUSH SWEEPER - JAN-II

APPROX WEIGHT: 71 lbs.
DOES NOT INCLUDE WEIGHT OF POWER OR PACKAGING!!!

*** ANY ADDITIONS, DELETIONS, OR OMISSIONS MUST BE CORRECTED ON THIS DRAWING AS THIS DRAWING WILL BE CONSIDERED ALL INCLUSIVE ***

ALL GRAPHICS PROVIDED ARE FOR REFERENCE ONLY. IF CERTAIN DIMENSIONS ARE CRITICAL PLEASE VERIFY THOSE DIMENSIONS WITH YOUR SALESPERSON



DIMENSION TOLERANCE ± 1/4"

STANDARD FEATURES

- MODEL NUMBER IS JAN-II
- OVERALL WIDTH IS 29"
- OVERALL LENGTH IS 48"
- OVERALL HEIGHT IS 37 7/8"
- MAIN BROOM ϕ 10" x 19" LONG WITH ADJUSTABLE HEIGHT
- MAIN BROOM IS GEAR DRIVEN
- SIDE BROOM ϕ 13" WITH ADJUSTABLE HEIGHT
- SIDE BROOM IS BELT DRIVEN
- HOPPER CAPACITY IS 10 GAL.
- HOPPER IS REMOVABLE FOR DUMPING
- WHEELS ARE 11.5" SEMI-PNEUMATIC, NON-SLIP TIRES
- CASTER ϕ 3" RUBBER WITH HEAVY-DUTY BALL BEARINGS
- BRUSHES ARE MADE OF POLYPROPYLENE

SPECIAL FEATURES

NONE

APPROVAL	I, THE UNDERSIGNED, AGREE THAT THE PRODUCT AS REPRESENTED SATISFIES DESIGN AND DIMENSION REQUIREMENTS. I ALSO ACKNOWLEDGE MY DUTY TO CONFIRM PRODUCT AND INSTALLATION COMPLIANCE WITH ALL APPLICABLE FEDERAL, STATE AND LOCAL REGULATIONS AND STANDARDS.	
	ALL SPECIAL UNITS ARE NON-RETURNABLE [] As drawn [] As marked	
Signed: _____		Date: _____
LEAD TIME WILL START UPON RECEIPT OF SIGNED APPROVAL DRAWING		

DISTRIBUTOR'S NAME:		P.O.#
VESTIL MANUFACTURING		X
DRAWN BY: RPS	DATE: 11/08/2012	W.O.#
REFERENCE: X	SCALE: 1:16	X
QUOTED LEAD TIME: X	QUOTE #	FILE NAME:
	X	30-007-272