

Inquiry Date: _____ Due Date _____

Adjustable Work-Mate Stand Survey Sheet

Contact: _____

Company: _____

Phone: _____

Fax: _____

E-mail: _____

PLATFORM SIZE

Not Critical

Overall Width: _____

Overall Length: _____

Usable Width: _____

Usable Length: _____

Type of Loading: _____

Type of Flooring: _____

Capacity: _____

BASE WIDTH

Width: _____

Length: _____

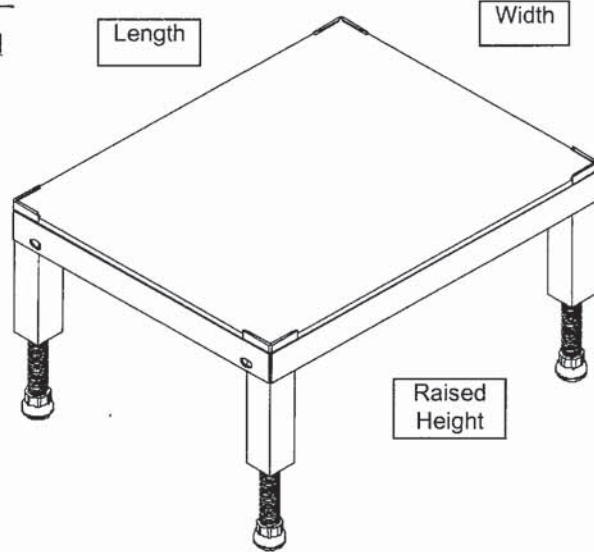
Lowered Ht.: _____

Raised Ht.: _____

Load Size: _____

Travel: _____

Table Cap.: _____



PRODUCT INFORMATION

If using with load other than people please specify.

Other: _____

Options:

_____ Handrails / Siderails

_____ Special Color _____ List Color

Other: _____

Application Information:

Duty Cycle (High cycle?): _____

Number of shifts: _____

Side Loading: _____

Special Loading and Unloading requirements: _____

Additional Notes:

Vestil Manufacturing Company * Angola, IN 46703 * Ph- 260-665-7586 * Ph- 260-665-1339 * Fx- 260-665-1339