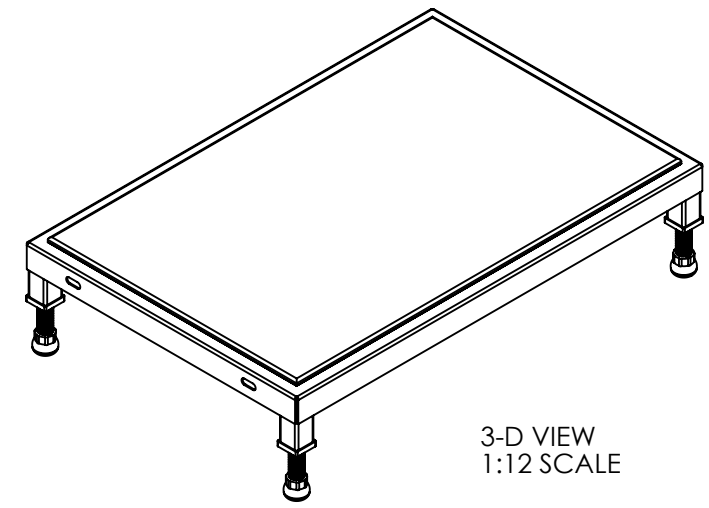
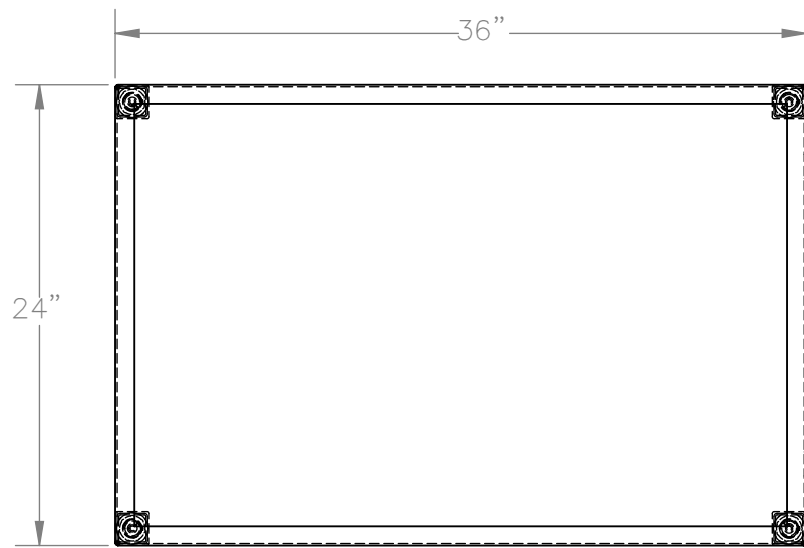


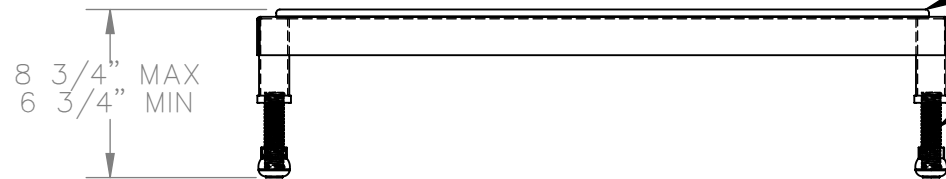
# ADJ WORK-MATE STAND - MODEL: AHT-L-2436-SS

APPROX WEIGHT: 49.95 lbs.  
DOES NOT INCLUDE WEIGHT OF POWER OR PACKAGING!!!

\*\*\* ANY ADDITIONS, DELETIONS, OR OMISSIONS MUST BE CORRECTED ON THIS DRAWING AS THIS DRAWING WILL BE CONSIDERED ALL INCLUSIVE \*\*\*  
ALL GRAPHICS PROVIDED ARE FOR REFERENCE ONLY. IF CERTAIN DIMENSIONS ARE CRITICAL PLEASE VERIFY THOSE DIMENSIONS WITH YOUR SALESPERSON



3-D VIEW  
1:12 SCALE



ERGO-MATTING DECK  
(MAT SIZE 22" x 34")

HEIGHT ADJUSTED BY  
ROTATING THREADED LEGS  
(SHOWN AT MAX HEIGHT)

DIMENSION TOLERANCE ± 1/4"

## STANDARD FEATURES

## SPECIAL FEATURES

- MODEL NUMBER : AHT-L-2436-SS
- CAPACITY: 500 LBS.
- DECK WIDTH: 24"
- DECK LENGTH: 36"
- RAISED HEIGHT: 8 3/4"
- LOWERED HEIGHT: 6 3/4"
- ALL STAINLESS STEEL CONSTRUCTION WITH WELDING TO MEET AWS.
- ERGO MATTING IS BLUE

NONE

**APPROVAL**

I, THE UNDERSIGNED, AGREE THAT THE PRODUCT AS REPRESENTED SATISFIES DESIGN AND DIMENSION REQUIREMENTS. I ALSO ACKNOWLEDGE MY DUTY TO CONFIRM PRODUCT AND INSTALLATION COMPLIANCE WITH ALL APPLICABLE FEDERAL, STATE AND LOCAL REGULATIONS AND STANDARDS.

**ANY MODIFIED UNITS ARE NON-RETURNABLE**

[ ] As drawn [ ] As marked

Signed: \_\_\_\_\_ Date: \_\_\_\_\_

Printed Name: \_\_\_\_\_

LEAD TIME WILL START UPON RECEIPT OF SIGNED APPROVAL DRAWING

| FOR INTERNAL USE ONLY<br>PROJECT SIGN OFF |  |
|-------------------------------------------|--|
| SALES                                     |  |
| ENG.                                      |  |
| FAB.                                      |  |
| POWER                                     |  |

|                      |                |            |
|----------------------|----------------|------------|
| DISTRIBUTOR'S NAME:  |                | P.O.#      |
| VESTIL MANUFACTURING |                | X          |
| DRAWN BY: MTS        | DATE: 12/27/13 | W.O.#      |
| REFERENCE: X         | SCALE: 1:10    | X          |
| QUOTED LEAD TIME: X  | QUOTE #        | SALES: X   |
|                      | X              | FILE NAME: |
|                      |                | 14-007-236 |