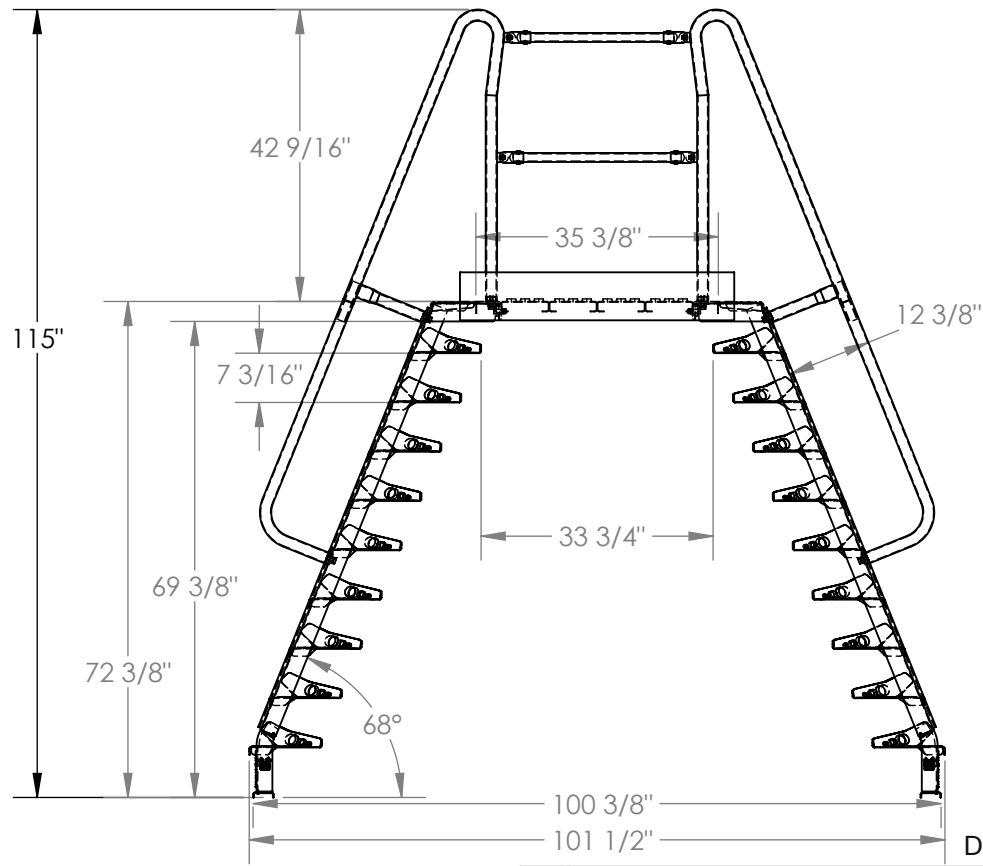
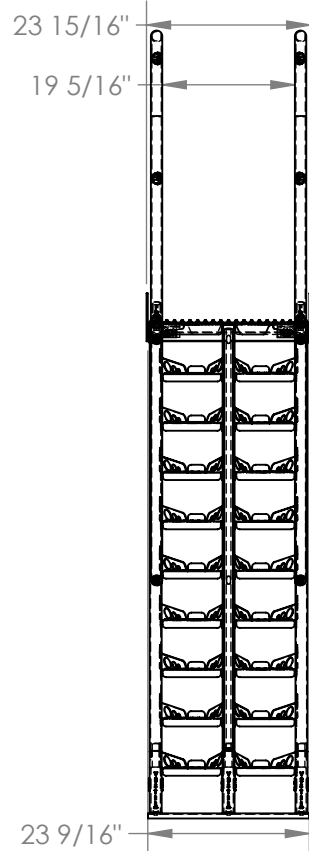


# ALTERNATING STEP CROSS-OVER LADDER - COLA-6-68-44

APPROX WEIGHT: 413.56 lbs.  
 DOES NOT INCLUDE WEIGHT OF POWER OR PACKAGING!!!

\*\*\* ANY ADDITIONS, DELETIONS, OR OMISSIONS MUST BE CORRECTED ON THIS DRAWING AS THIS DRAWING WILL BE CONSIDERED ALL INCLUSIVE \*\*\*

ALL GRAPHICS PROVIDED ARE FOR REFERENCE ONLY. IF CERTAIN DIMENSIONS ARE CRITICAL PLEASE VERIFY THOSE DIMENSIONS WITH YOUR SALESPERSON



DIMENSION TOLERANCE ± 1/4"

## STANDARD FEATURES

- MODEL NUMBER IS COLA-6-68-44
- OVERALL WIDTH IS 23 15/16"
- OVERALL LENGTH IS 101 1/2"
- OVERALL HEIGHT IS 115"
- MAX CAPACITY IS 350 LBS
- PLATFORM HEIGHT IS 72 3/8"
- PLATFORM WIDTH IS 23 9/16"
- USABLE PLATFORM WIDTH IS 19 5/16"
- PLATFORM LENGTH IS 35 3/8"
- STEP HEIGHT SPACING IS 7 3/16"
- CLIMB ANGLE IS 68°
- CLEARANCE WIDTH IS 33 3/4"
- CLEARANCE HEIGHT IS 69 3/8"
- KNOCK-DOWN DESIGN  
 (UNIT SHIPS KNOCKED-DOWN, ASSEMBLY REQUIRED)  
 UNIT MUST BE ANCHORED TO THE FLOOR!  
 (ANCHORING HARDWARE NOT INCLUDED)
- TOUGH BAKED IN POWDER COATED YELLOW FINISH

## SPECIAL FEATURES

NONE

APPROVAL

I, THE UNDERSIGNED, AGREE THAT THE PRODUCT AS REPRESENTED SATISFIES DESIGN AND DIMENSION REQUIREMENTS. I ALSO ACKNOWLEDGE MY DUTY TO CONFIRM PRODUCT AND INSTALLATION COMPLIANCE WITH ALL APPLICABLE FEDERAL, STATE AND LOCAL REGULATIONS AND STANDARDS.

**ANY MODIFIED UNITS ARE NON-RETURNABLE**

As drawn       As marked

Signed: \_\_\_\_\_ Date: \_\_\_\_\_

Printed Name: \_\_\_\_\_

LEAD TIME WILL START UPON RECEIPT OF SIGNED APPROVAL DRAWING

|   |  |
|---|--|
| FOR INTERNAL USE ONLY<br>PROJECT SIGN OFF |  |
| SALES                                     |  |
| ENG.                                      |  |
| FAB.                                      |  |
| POWER                                     |  |

|                      |  |                 |
|----------------------|--|-----------------|
| DISTRIBUTOR'S NAME:  |  | P.O.#           |
| VESTIL MANUFACTURING |  | X               |
| DRAWN BY: KGH        |  | DATE: 1/11/2017 |
| REFERENCE: X         |  | SCALE: 1:28     |
| QUOTED LEAD TIME: X  |  | QUOTE #         |
|                      |  | X               |
|                      |  | FILE NAME:      |
|                      |  | 44-007-664      |