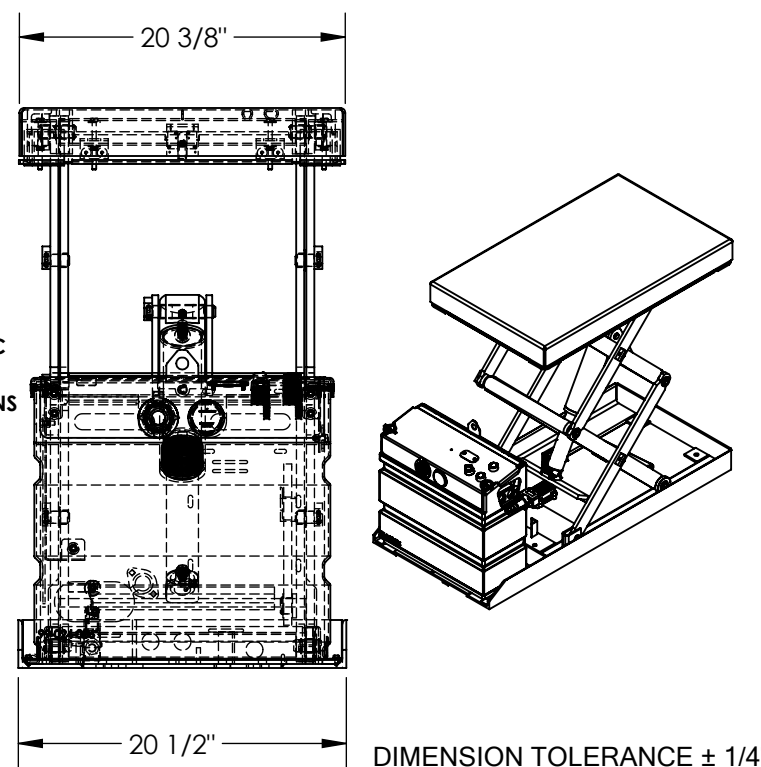
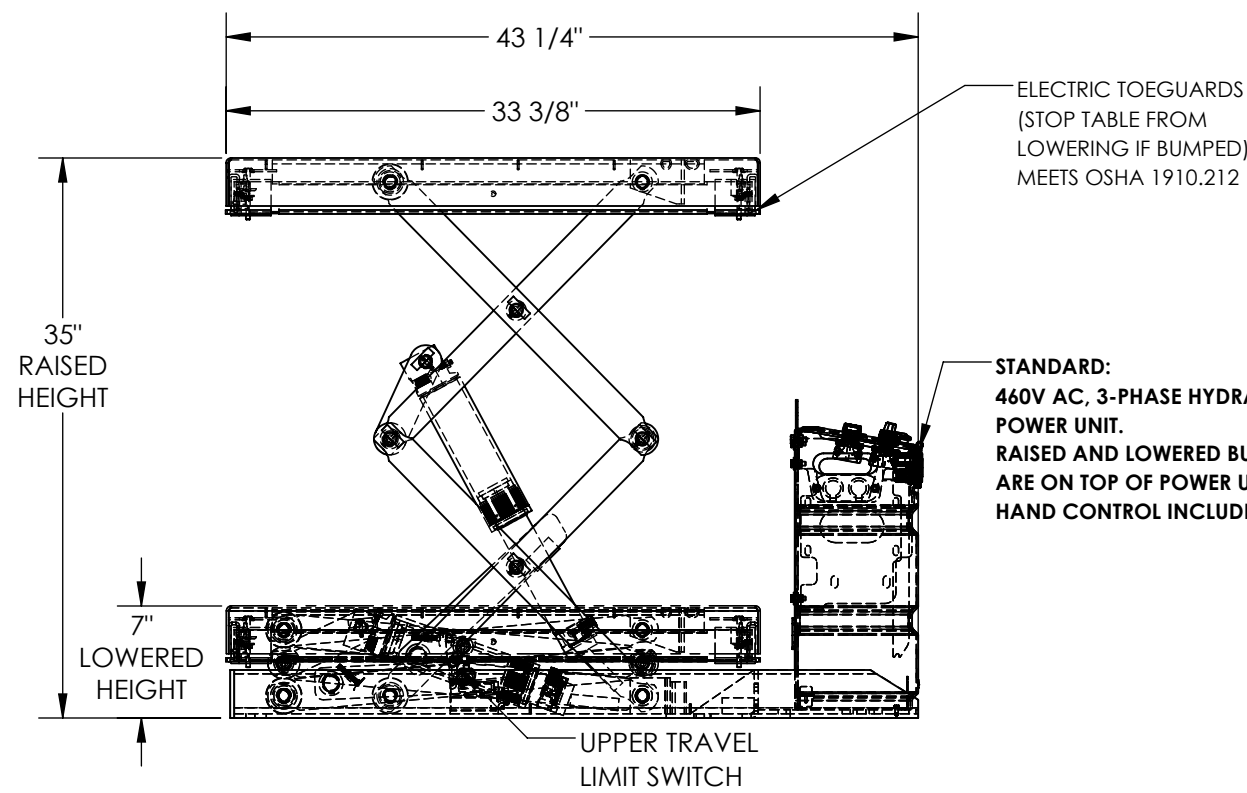


AC POWERED HYDRAULIC SCISSOR LIFT TABLE- SCTABD-1000-2033-AC

APPROX WEIGHT: 265.54 lbs.
DOES NOT INCLUDE WEIGHT OF POWER OR PACKAGING!!!

*** ANY ADDITIONS, DELETIONS, OR OMISSIONS MUST BE CORRECTED ON THIS DRAWING AS THIS DRAWING WILL BE CONSIDERED ALL INCLUSIVE ***
ALL GRAPHICS PROVIDED ARE FOR REFERENCE ONLY. IF CERTAIN DIMENSIONS ARE CRITICAL PLEASE VERIFY THOSE DIMENSIONS WITH YOUR SALESPERSON

DECK TOLERANCE ±1/2"
TABLE HEIGHT TOLERANCES ±1/2"
DECK FLATNESS ±1/4"



STANDARD FEATURES

- MODEL NUMBER IS SCTABD-1000-2033-AC
- DECK WIDTH IS 20 3/8"
- DECK LENGTH IS 33 3/8"
- RAISED HEIGHT IS 35"
- LOWERED HEIGHT IS 7"
- TABLE CAPACITY (EVENLY DISTRIBUTED)
- MAX CAPACITY IS 1,000 LBS
- CONTROL IS HANDHELD 2 BUTTON, NEMA 4 PENDANT
- WITH MINIMUM 8' USABLE COIL CORD
- SAFETY MAINTENANCE PROPS, DISPLACEMENT
- STYLE CYLINDERS INSTALLED ROD DOWN
- EMERGENCY SAFETY STOP HYDRAULIC FUSES
- UPPER TRAVEL LIMIT SWITCH
- ELECTRIC PINCH POINT GUARD
- DURABLE LIQUID PAINT BLUE FINISH

SPECIAL FEATURES

NONE

PLEASE CIRCLE SPECIFICATIONS:

| | | | |
|---------------------------------|--------|----------|---------|
| POWER | AC | DC (12V) | AIR/OIL |
| MOTOR VOLTAGE | 115 | 208 | 230 460 |
| DEDICATED CIRCUIT REQUIRED 60Hz | | | |
| MOTOR PHASE | SINGLE | THREE | |
| CONTROL | HAND | FOOT | |

APPROVAL

I, THE UNDERSIGNED, AGREE THAT THE PRODUCT AS REPRESENTED SATISFIES DESIGN AND DIMENSION REQUIREMENTS. I ALSO ACKNOWLEDGE MY DUTY TO CONFIRM PRODUCT AND INSTALLATION COMPLIANCE WITH ALL APPLICABLE FEDERAL, STATE AND LOCAL REGULATIONS AND STANDARDS.

ANY MODIFIED UNITS ARE NON-RETURNABLE
[] As drawn [] As marked

Signed: _____ Date: _____

Printed Name: _____

LEAD TIME WILL START UPON RECEIPT OF SIGNED APPROVAL DRAWING

| | |
|---|--|
| FOR INTERNAL USE ONLY PROJECT SIGN OFF | |
| SALES | |
| ENG. | |
| FAB. | |
| POWER | |

| | | |
|----------------------|-------------|------------|
| DISTRIBUTOR'S NAME: | | P.O.# |
| VESTIL MANUFACTURING | | X |
| DRAWN BY: CRA | | W.O.# |
| DATE: 06/03/2019 | | X |
| REFERENCE: X | SCALE: 1:12 | SALES: X |
| QUOTED LEAD TIME: X | QUOTE # | FILE NAME: |
| | X | 01-007-401 |