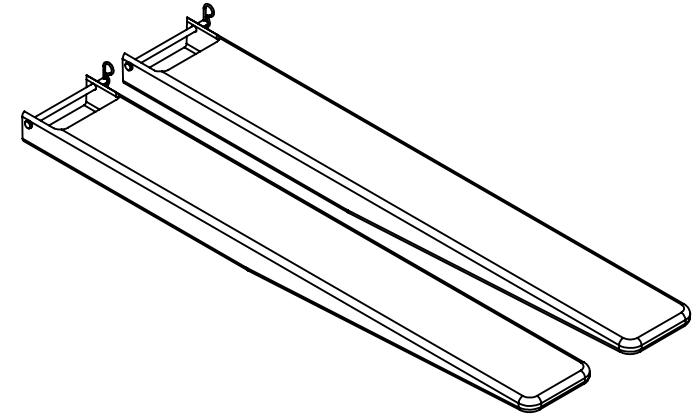
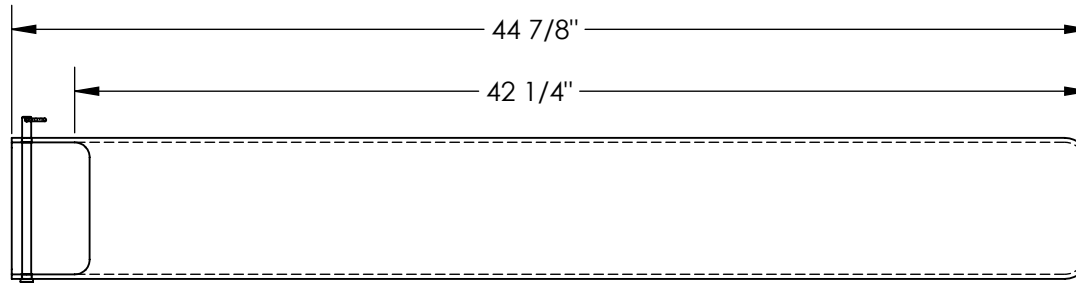


# FORK BLADE PROTECTOR - F5-42

APPROX WEIGHT: 8 lbs.  
 DOES NOT INCLUDE WEIGHT OF POWER OR PACKAGING!!!

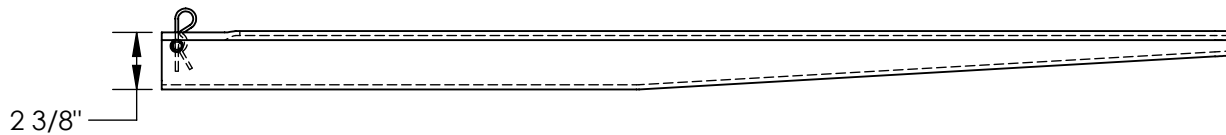
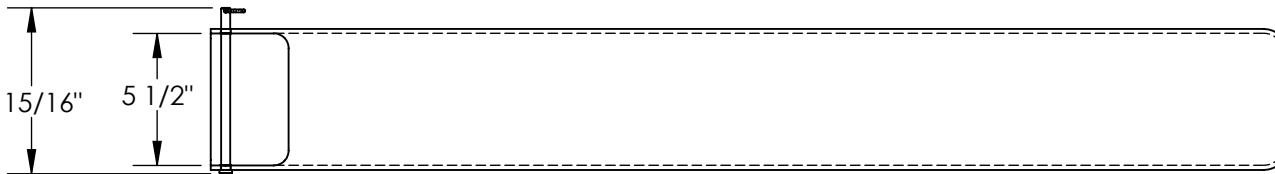
\*\*\* ANY ADDITIONS, DELETIONS, OR OMISSIONS MUST BE CORRECTED ON THIS DRAWING AS THIS DRAWING WILL BE CONSIDERED ALL INCLUSIVE \*\*\*

ALL GRAPHICS PROVIDED ARE FOR REFERENCE ONLY. IF CERTAIN DIMENSIONS ARE CRITICAL PLEASE VERIFY THOSE DIMENSIONS WITH YOUR SALESPERSON



**ONLY FOR USE WITH  
 5"W X 42"L FORKS  
 UP TO 2" THICK**

**PRODUCT NOT FOR USE  
 AS FORK EXTENSION**



## STANDARD FEATURES

- MODEL NUMBER IS F5-42
- OVERALL WIDTH IS 6 15/16"
- USABLE WIDTH IS 5 1/2"
- OVERALL LENGTH IS 44 7/8"
- USABLE LENGTH IS 42 1/4"
- OVERALL HEIGHT IS 2 3/8"
- SOLD AS A PAIR
- MADE FROM YELLOW POLYETHYLENE

DIMENSION TOLERANCE ± 1/2"

APPROVAL	I, THE UNDERSIGNED, AGREE THAT THE PRODUCT AS REPRESENTED SATISFIES DESIGN AND DIMENSION REQUIREMENTS. I ALSO ACKNOWLEDGE MY DUTY TO CONFIRM PRODUCT AND INSTALLATION COMPLIANCE WITH ALL APPLICABLE FEDERAL, STATE AND LOCAL REGULATIONS AND STANDARDS.	
	<b>ANY MODIFIED UNITS ARE NON-RETURNABLE</b>	
	[ ] As drawn      [ ] As marked	
Signed: _____ Date: _____		
Printed Name: _____		
<i>LEAD TIME WILL START UPON RECEIPT OF SIGNED APPROVAL DRAWING</i>		

## SPECIAL FEATURES

NONE

FOR INTERNAL USE ONLY PROJECT SIGN OFF	
SALES	
ENG.	
FAB.	
POWER	

DISTRIBUTOR'S NAME:		P.O.#
VESTIL MANUFACTURING		X
DRAWN BY: KGH	DATE: 3/11/2019	W.O.#
REFERENCE: X	SCALE: 1:8	SALES: X
QUOTED LEAD TIME: X	QUOTE #	FILE NAME:
	X	47-007-043