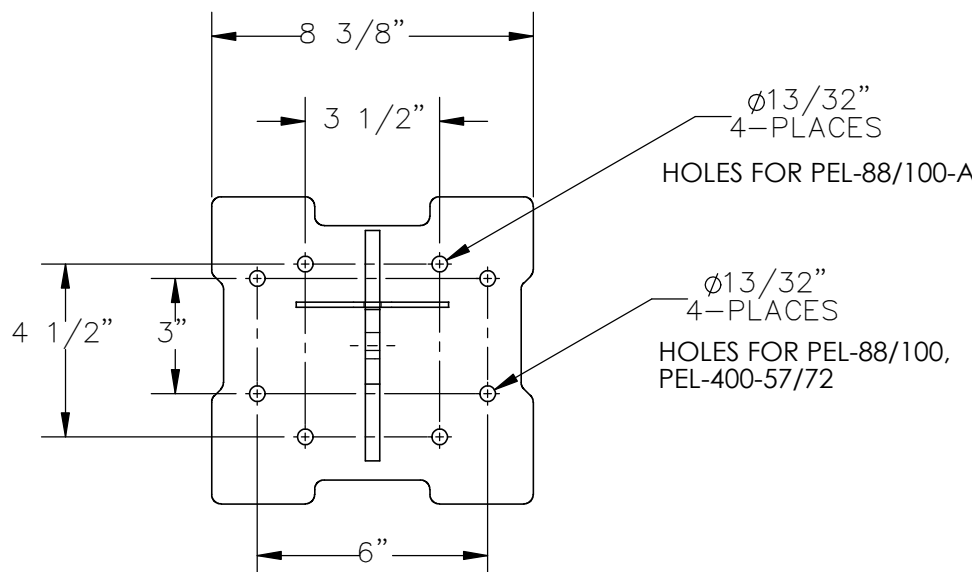
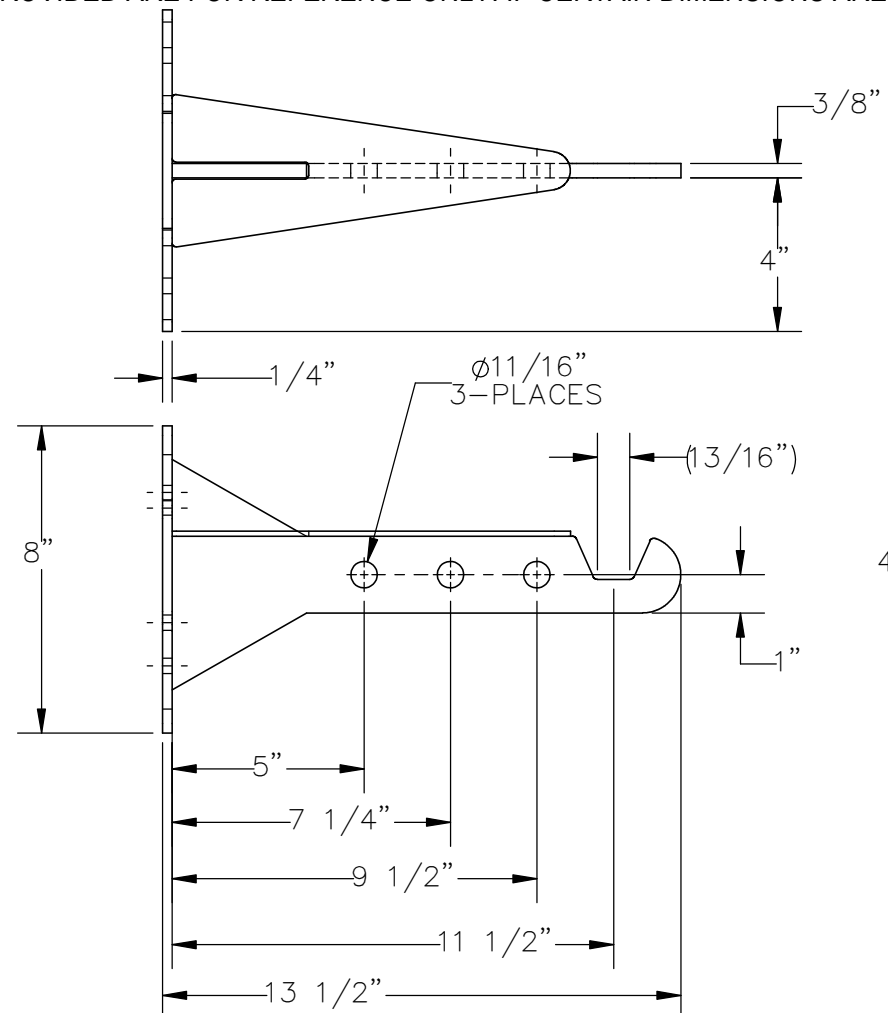


HOOK ARM ATTACHMENT - PEL-HOOK

APPROX WEIGHT: 8.37 lbs.
DOES NOT INCLUDE WEIGHT OF POWER OR PACKAGING!!!

*** ANY ADDITIONS, DELETIONS, OR OMISSIONS MUST BE CORRECTED ON THIS DRAWING AS THIS DRAWING WILL BE CONSIDERED ALL INCLUSIVE ***

ALL GRAPHICS PROVIDED ARE FOR REFERENCE ONLY. IF CERTAIN DIMENSIONS ARE CRITICAL PLEASE VERIFY THOSE DIMENSIONS WITH YOUR SALESPERSON



STANDARD FEATURES

MODEL# PEL-HOOK
OVERALL LENGTH IS 13 1/2"
OVERALL WIDTH IS 8 3/8"
OVERALL HEIGHT IS 8"

THREE Ø 11/16" HOLES AND ONE HOOK

TOTAL MAXIMUM CAPACITY FOR:
PEL-88 & PEL-88-A: 175 LBS
PEL-100 & PEL-100-A: 125 LBS
PEL-400-57/72: 400 LBS

SPECIAL FEATURES

NONE

DIMENSION TOLERANCE ± 1/4"

APPROVAL	I, THE UNDERSIGNED, AGREE THAT THE PRODUCT AS REPRESENTED SATISFIES DESIGN AND DIMENSION REQUIREMENTS. I ALSO ACKNOWLEDGE MY DUTY TO CONFIRM PRODUCT AND INSTALLATION COMPLIANCE WITH ALL APPLICABLE FEDERAL, STATE AND LOCAL REGULATIONS AND STANDARDS.	
	ANY MODIFIED UNITS ARE NON-RETURNABLE	
	[] As drawn [] As marked	
	Signed: _____	Date: _____
Printed Name: _____		
LEAD TIME WILL START UPON RECEIPT OF SIGNED APPROVAL DRAWING		

FOR INTERNAL USE ONLY PROJECT SIGN OFF	
SALES	
ENG.	
FAB.	
POWER	

DISTRIBUTOR'S NAME:		P.O.#
VESTIL MANUFACTURING		X
		W.O.#
DRAWN BY: SJA	DATE: 03/24/2016	X
REFERENCE: X	SCALE: 1:5	FILE NAME:
QUOTED LEAD TIME: X	QUOTE #	21-007-116
	X	