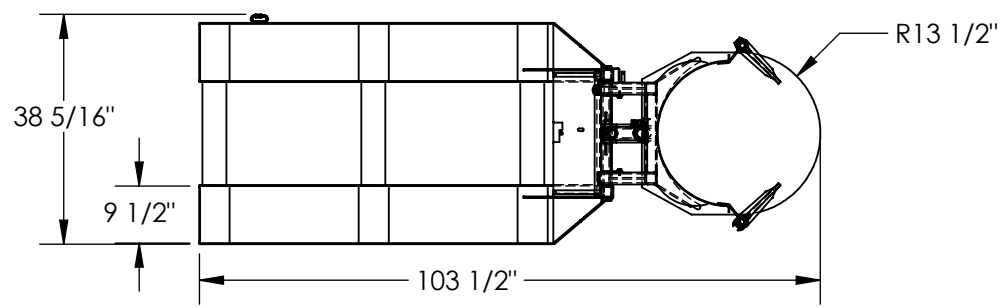


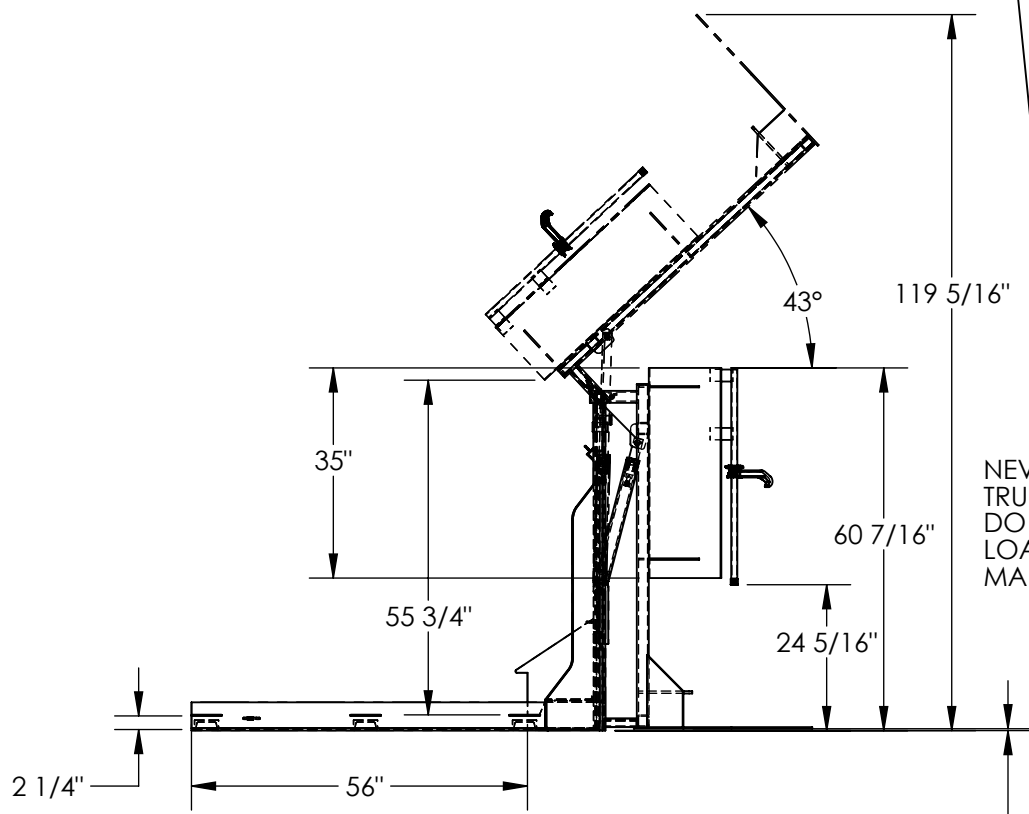
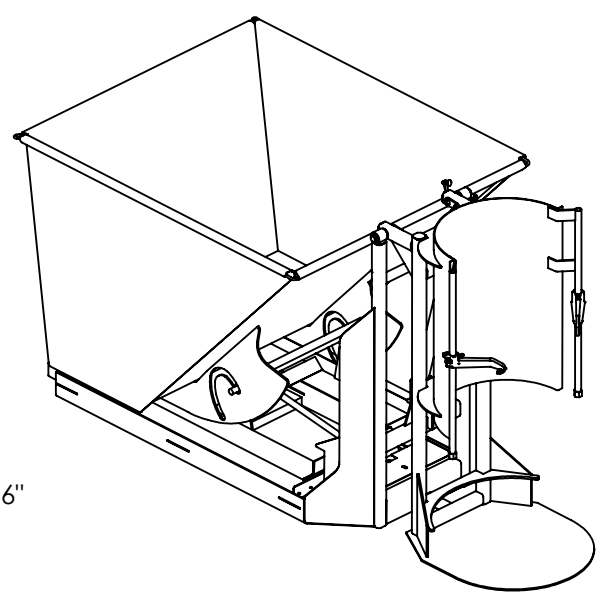
TRASH DRUM DUMPER - T-HOP

APPROX WEIGHT: 566.99 lbs.
DOES NOT INCLUDE WEIGHT OF POWER OR PACKAGING!!!

ANY ADDITIONS, DELETIONS, OR OMISSIONS MUST BE CORRECTED ON THIS DRAWING AS THIS DRAWING WILL BE CONSIDERED ALL INCLUSIVE



3-D VIEW OF T-HOP WITH D-200-LD SHOWN FOR REFERENCE ONLY



NEVER EXCEED LOAD CENTER RATING PER FORK TRUCK MANUFACTURER'S GUIDELINES. DO NOT USE THIS FORK TRUCK ATTACHMENT IF LOAD WILL EXCEED FORK TRUCK MANUFACTURER'S LOAD CENTER RATING

ALL GRAPHICS PROVIDED ARE FOR REFERENCE ONLY. IF CERTAIN DIMENSIONS ARE CRITICAL PLEASE VERIFY THOSE DIMENSIONS WITH YOUR SALESPERSON

1/8" TO FLOOR

STANDARD FEATURES

- MODEL NUMBER IS T-HOP
- DUMPER HOLDS 55 GAL DRUM
- DUMPER CAPACITY IS 400 LBS
- OVERALL WIDTH IS 38 5/16"
- OVERALL LENGTH IS 103 1/2"
- OVERALL HEIGHT IS 60 7/16"
- OVERALL ROTATED HEIGHT IS 119 5/16"
- DUMP HEIGHT IS 55 3/4"
- DUMP ANGLE IS 43°

WORKS WITH 2 CUBIC YARD "D" STYLE HOPPERS - HOPPERS SOLD SEPARATELY

POWER UNIT: 12 V DC WITH ON-BOARD CHARGER
CONTROL: HAND

SPECIAL FEATURES

NONE

FOR INTERNAL USE ONLY	
PROJECT SIGN OFF	
SALES	
ENG.	
FAB.	
POWER	

DIMENSION TOLERANCE ± 1/4"

APPROVAL	I, THE UNDERSIGNED, AGREE THAT THE PRODUCT AS REPRESENTED SATISFIES DESIGN AND DIMENSION REQUIREMENTS. I ALSO ACKNOWLEDGE MY DUTY TO CONFIRM PRODUCT AND INSTALLATION COMPLIANCE WITH ALL APPLICABLE FEDERAL, STATE AND LOCAL REGULATIONS AND STANDARDS.	
	ANY MODIFIED UNITS ARE NON-RETURNABLE	
	[] As drawn [] As marked	
	Signed: _____	Date: _____
Printed Name: _____		
LEAD TIME WILL START UPON RECEIPT OF SIGNED APPROVAL DRAWING		

DISTRIBUTOR'S NAME:		P.O.#
VESTIL MANUFACTURING		X
DRAWN BY: J. BRANDT		W.O.#
DATE: 07/16/09		X
REFERENCE: X	SCALE: 1:32	SALES: X
QUOTED LEAD TIME: X	QUOTE # X	FILE NAME: 34-007-026