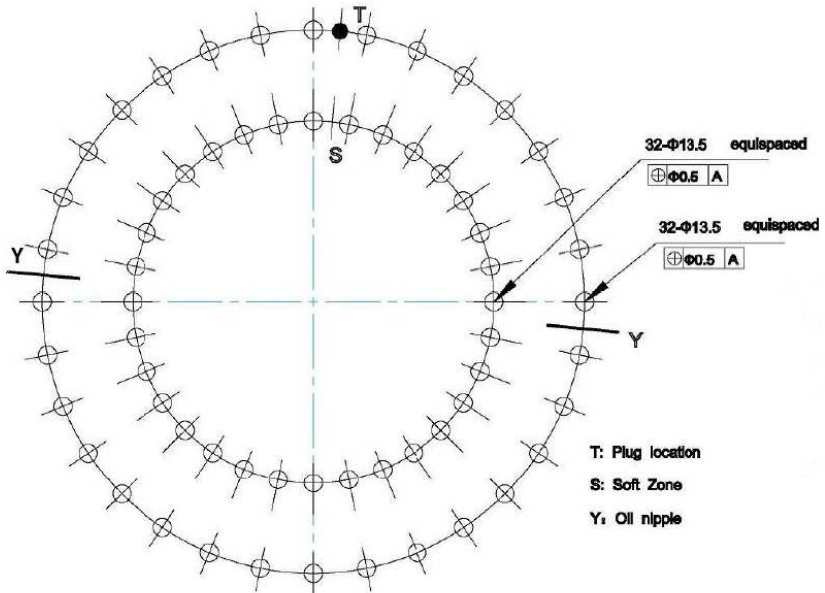
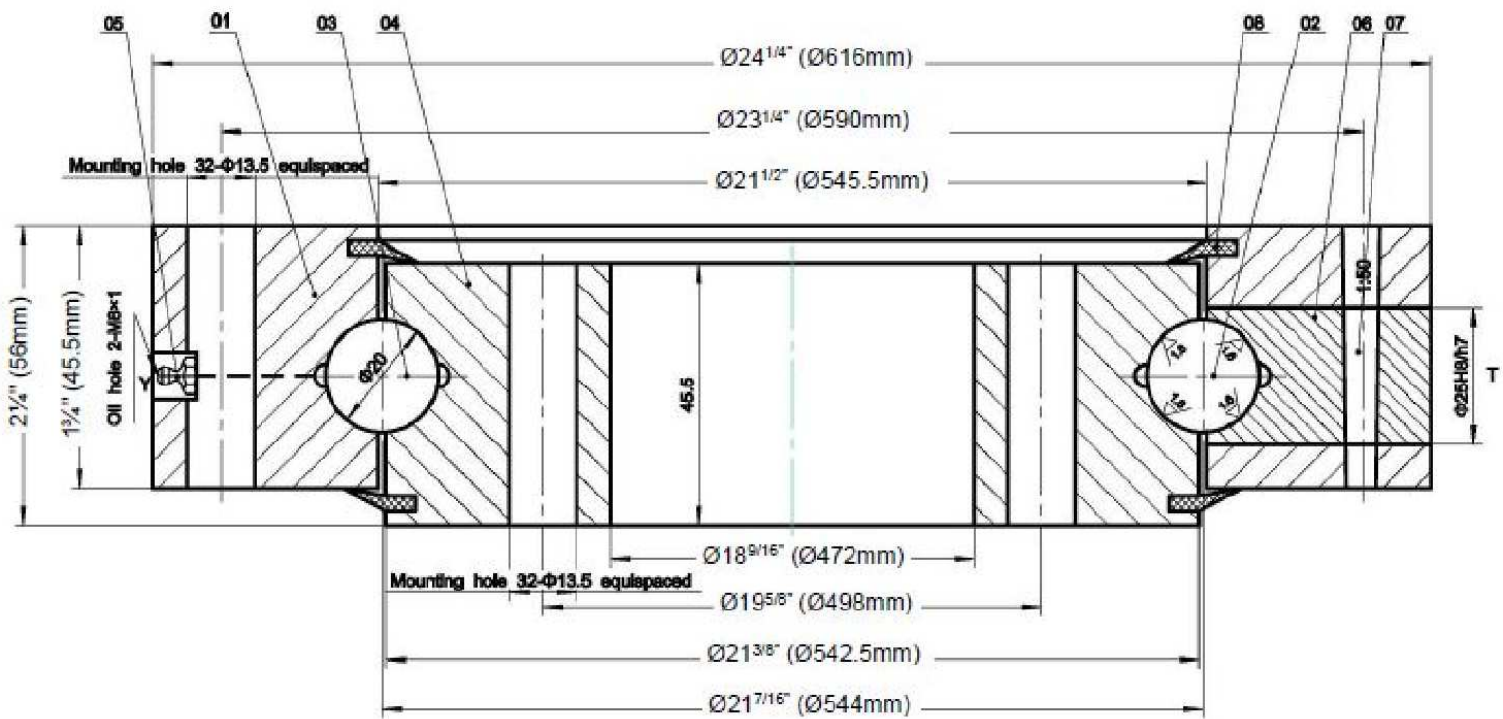


# HEAVY DUTY PRECISION TURRET BEARING - PTB-24

APPROX WEIGHT: 114 lbs.  
 DOES NOT INCLUDE WEIGHT OF POWER OR PACKAGING!!!

\*\*\*ANY ADDITIONS, DELETIONS, OR OMISSIONS MUST BE CORRECTED ON THIS DRAWING AS THIS DRAWING WILL BE CONSIDERED ALL INCLUSIVE\*\*\*



## STANDARD FEATURES

MODEL# PTB-24  
 DIAMETER: 24 1/4"  
 HEIGHT: 2 1/4"  
 CAPACITY: 6000 LBS  
 LOW PROFILE DESIGN

- SUPERIOR PLATED FINISH FOR CORROSION RESISTANCE
- GREASE-ABLE POINTS FOR SIMPLE MAINTENANCE
- SHIELDED BEARINGS TO PROTECT DEBRIS AND RETAIN GREASE
- MULTIPLE BOLT LOCATIONS FOR MOUNTING
- CAPTURED BALL BEARING DESIGN PREVENTS RINGS FROM SEPARATING

FOR INTERNAL USE ONLY	
PROJECT SIGN OFF	
SALES	
ENG.	
FAB.	
POWER	

**APPROVAL**

I, THE UNDERSIGNED, AGREE THAT THE PRODUCT AS REPRESENTED SATISFIES DESIGN AND DIMENSION REQUIREMENTS. I ALSO ACKNOWLEDGE MY DUTY TO CONFIRM PRODUCT AND INSTALLATION COMPLIANCE WITH ALL APPLICABLE FEDERAL, STATE AND LOCAL REGULATIONS AND STANDARDS.

**ALL SPECIAL UNITS ARE NON-RETURNABLE**

[ ] As drawn [ ] As marked

Signed: \_\_\_\_\_ Date: \_\_\_\_\_

**LEAD TIME WILL START UPON RECEIPT OF SIGNED APPROVAL DRAWING**

ALL GRAPHICS PROVIDED ARE FOR REFERENCE ONLY.  
 IF CERTAIN DIMENSIONS ARE CRITICAL PLEASE VERIFY THOSE DIMENSIONS WITH YOUR SALESPERSON

DISTRIBUTOR'S NAME:		P.O.#
X		X
DRAWN BY: SJA		W.O.#
DATE: 1/25/2016		X
REFERENCE: X	SCALE: 1:1	SALES: X
QUOTED LEAD TIME: X	QUOTE #	FILE NAME:
	X	PTB-24