

# FM SERIES MECHANICAL EDGE-O-DOCK LEVELER SURVEY SHEET

Inquiry Date: \_\_\_\_\_ Due Date: \_\_\_\_\_  
 Contact: \_\_\_\_\_  
 Company: \_\_\_\_\_  
 Phone: \_\_\_\_\_  
 Fax: \_\_\_\_\_  
 E-mail: \_\_\_\_\_

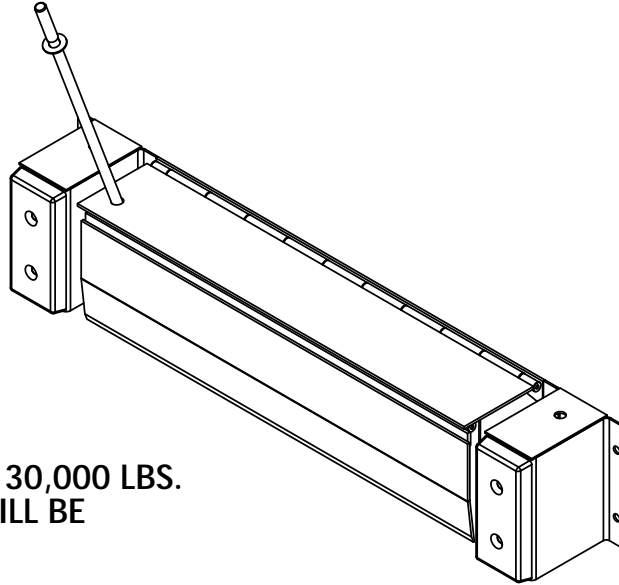
**PLEASE SPECIFY THE FOLLOWING:**

USABLE WIDTH: \_\_\_\_\_

UNIFORM CAPACITY: \_\_\_\_\_

**\*\*NOTE: OVERALL WIDTH WILL  
BE USABLE WIDTH + 27" \*\***

- \*\*MAXIMUM USABLE WIDTH IS 84"**
- \*\*MINIMUM USABLE WIDTH IS 48"**
- \*\*MAXIMUM UNIFORM CAPACITY IS 30,000 LBS.**
- \*\*MAXIMUM UNIFORM CAPACITY WILL BE  
DEPENDENT ON THE USABLE WIDTH**



PREVIOUS QUOTE OR ORDER #: \_\_\_\_\_

**OPTIONS:**

- \_\_\_\_\_ *FM-BAR: ACTUATION HANDLE FOR MECHANICAL UNIT (NEW STYLE)*
- \_\_\_\_\_ *BB: STEEL BUMPER BOX*
- \_\_\_\_\_ *B-818: RUBBER BUMPER (REPLACEMENT): 18"W x 8"H x 2"P*
- \_\_\_\_\_ *CE: CURB EDGE- 6" CHANNEL x 96" LONG*
- \_\_\_\_\_ *RAMP-2: APPROACH RAMP, 96"W x 12"L x 2"H*
- \_\_\_\_\_ *RAMP-4: APPROACH RAMP, 96"2 x 24"L x 4"H*
- \_\_\_\_\_ *AP: APPROACH PLATE, 1/4" THICK x 12"L x 96"W*
- \_\_\_\_\_ *AP-BE: APPROACH PLATE, 1/4" THICK x 12"L x 96"W WITH BEVELED EDGE*

**SPECIAL REQUESTS:**

\_\_\_\_\_  
 \_\_\_\_\_  
 \_\_\_\_\_  
 \_\_\_\_\_  
 \_\_\_\_\_

**NOTE: UNIT INCLUDES (2) BUMPERS  
AND (2) BUMPER BOXES STANDARD**

**Additional Notes:**

\_\_\_\_\_  
 \_\_\_\_\_  
 \_\_\_\_\_  
 \_\_\_\_\_

**Quote options:**

\_\_\_\_\_ Exactly as specified \_\_\_\_\_ Cheapest / Closest to Vestil standard  
 \_\_\_\_\_ Quickest to ship  
 Requested Delivery Date: \_\_\_\_\_

\*All options may not be available on all models

Vestil Manufacturing Company \* Angola, IN 46703 \* Ph- 260-665-7586 \* Fx- 260-665-1339

Vestil Manufacturing Co.	MODEL NO: FM	DESCRIPTION: MECHANICAL EDGE-O-DOCK SURVEY SHEET	DRAWN BY: TJM	DWG. NO. 07-003-002
--------------------------	-----------------	---	------------------	------------------------