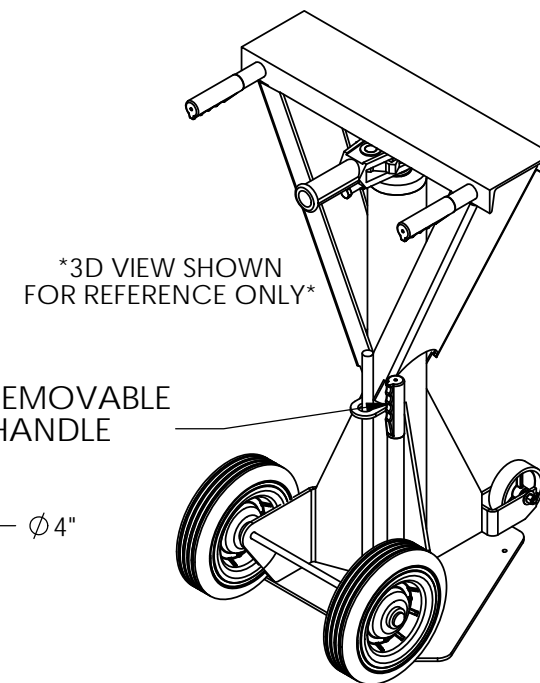
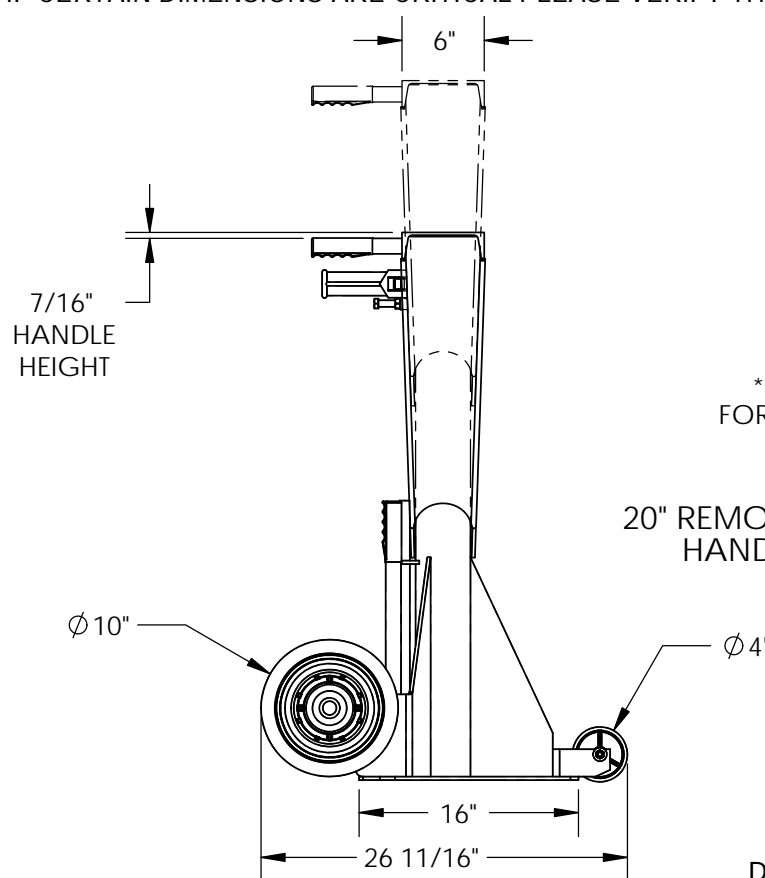
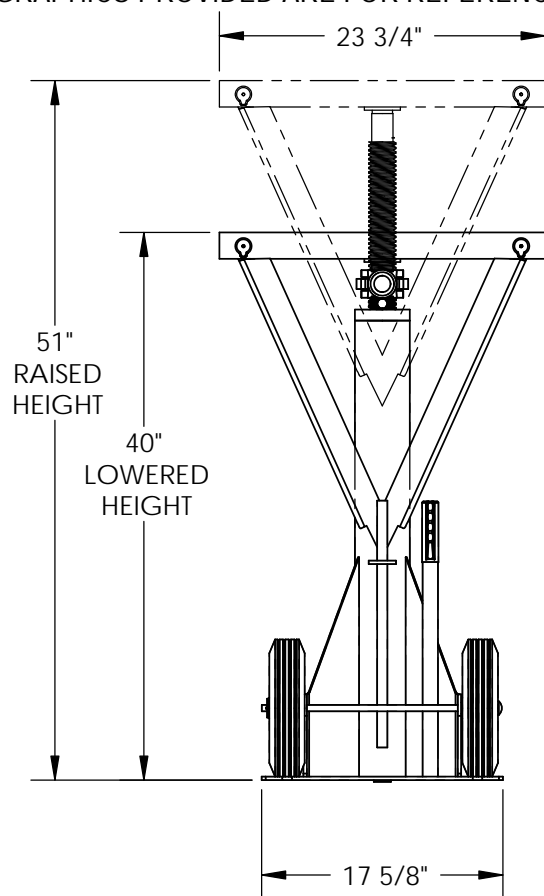


# RATCHET BEAM JACK - LO-J-BEAM

APPROX WEIGHT: 152.14 lbs.  
DOES NOT INCLUDE WEIGHT OF POWER OR PACKAGING!!!

\*\*\* ANY ADDITIONS, DELETIONS, OR OMISSIONS MUST BE CORRECTED ON THIS DRAWING AS THIS DRAWING WILL BE CONSIDERED ALL INCLUSIVE \*\*\*

ALL GRAPHICS PROVIDED ARE FOR REFERENCE ONLY. IF CERTAIN DIMENSIONS ARE CRITICAL PLEASE VERIFY THOSE DIMENSIONS WITH YOUR SALESPERSON



DIMENSION TOLERANCE ± 1/4"

## STANDARD FEATURES

- MODEL NUMBER: LO-J-BEAM
- OVERALL WIDTH: 23 3/4"
- OVERALL LENGTH: 26 11/16"
- LOWERED HEIGHT: 40"
- RAISED HEIGHT: 51"
- MAX CAPACITY: 100,000 LBS.
- LIFTING CAPACITY: 40,000 LBS.
- (2) Ø10" HARD RUBBER WHEELS
- (1) Ø4" STEEL WHEEL
- HANDLE LENGTH IS 20"

## SPECIAL FEATURES

NONE

I, THE UNDERSIGNED, AGREE THAT THE PRODUCT AS REPRESENTED SATISFIES DESIGN AND DIMENSION REQUIREMENTS. I ALSO ACKNOWLEDGE MY DUTY TO CONFIRM PRODUCT AND INSTALLATION COMPLIANCE WITH ALL APPLICABLE FEDERAL, STATE AND LOCAL REGULATIONS AND STANDARDS.

**ANY MODIFIED UNITS ARE NON-RETURNABLE**

[ ] As drawn      [ ] As marked

Signed: \_\_\_\_\_ Date: \_\_\_\_\_

Printed Name: \_\_\_\_\_

*LEAD TIME WILL START UPON RECEIPT OF SIGNED APPROVAL DRAWING*

FOR INTERNAL USE ONLY PROJECT SIGN OFF		DISTRIBUTOR'S NAME: <b>VESTIL MANUFACTURING</b>		P.O.# X
SALES		DRAWN BY: BCN	DATE: 12/1/2016	W.O.# X
ENG.		REFERENCE: X	SCALE: 1:14	SALES: X
FAB.		QUOTED LEAD TIME: X	QUOTE # X	FILE NAME: 13-007-027
POWER				

### MAXIMUM WORKING CAPACITY AT GRADE (%)

0.00%	0.50%	1.00%	1.50%	2.00%	2.50%	3.00%	3.50%	4.00%
100,000	80,000	66,000	55,000	46,000	41,000	37,000	33,000	29,000