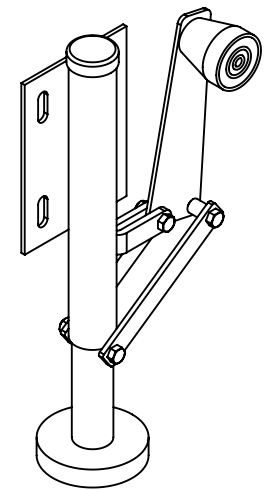
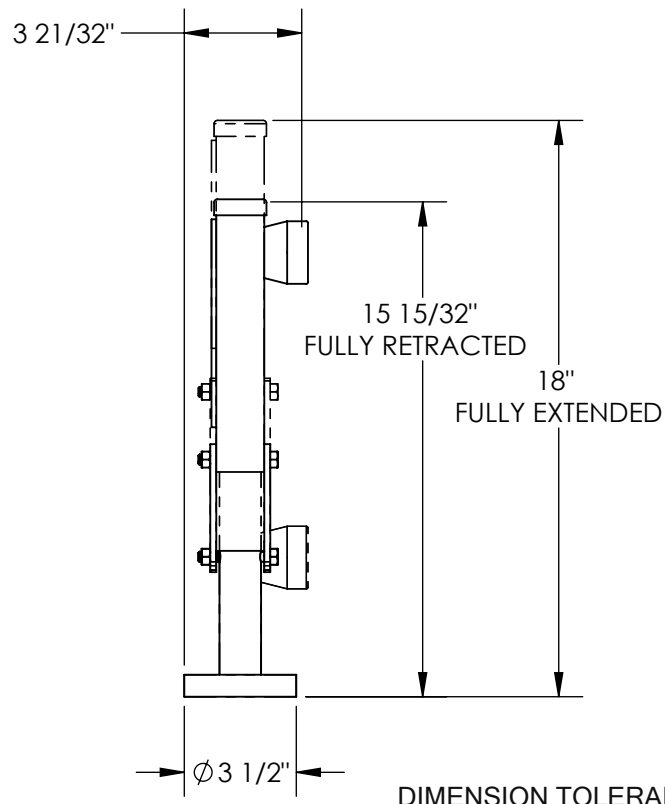
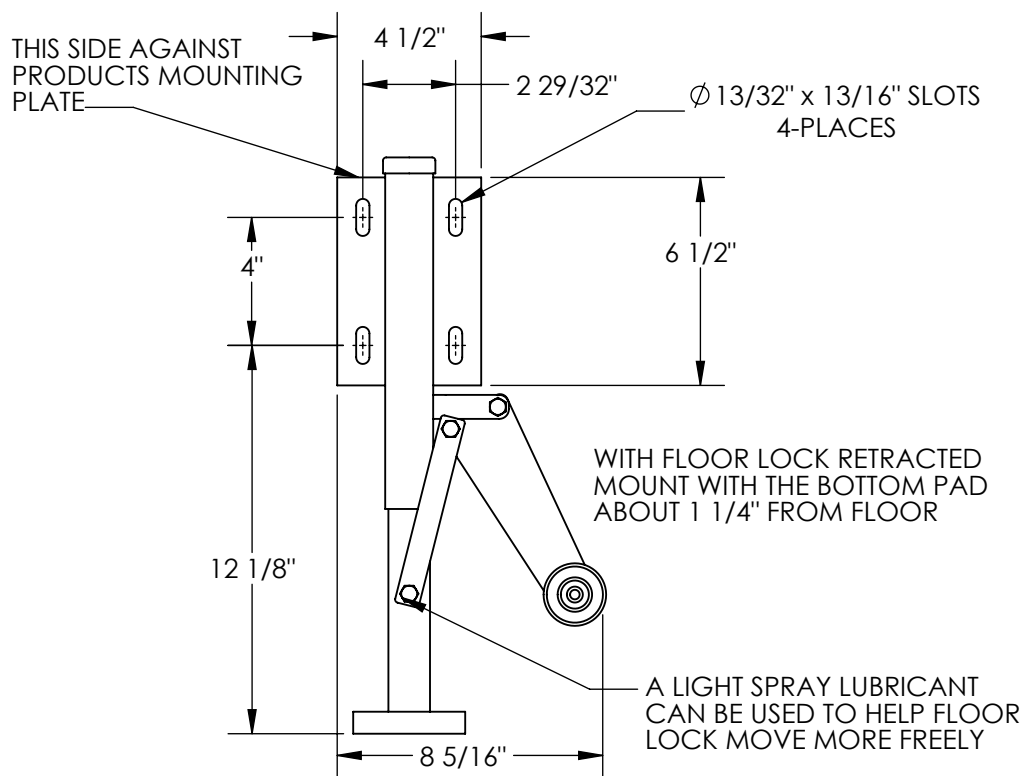


# FLOOR BRAKE SIDE MOUNT LEFT - FL-LK-SMR-L

APPROX WEIGHT: 9 lbs.  
DOES NOT INCLUDE WEIGHT OF POWER OR PACKAGING!!!

\*\*\* ANY ADDITIONS, DELETIONS, OR OMISSIONS MUST BE CORRECTED ON THIS DRAWING AS THIS DRAWING WILL BE CONSIDERED ALL INCLUSIVE \*\*\*

ALL GRAPHICS PROVIDED ARE FOR REFERENCE ONLY. IF CERTAIN DIMENSIONS ARE CRITICAL PLEASE VERIFY THOSE DIMENSIONS WITH YOUR SALESPERSON



## STANDARD FEATURES

- MODEL NUMBER IS FL-LK-SMR-L
- OVERALL WIDTH IS 8 5/16"
- OVERALL HEIGHT IS 18"
- FOOT PAD Ø 3 1/2"
- GROUND TO HOLE 12 1/8"

## SPECIAL FEATURES

NONE

**A P P R O V A L**

I, THE UNDERSIGNED, AGREE THAT THE PRODUCT AS REPRESENTED SATISFIES DESIGN AND DIMENSION REQUIREMENTS. I ALSO ACKNOWLEDGE MY DUTY TO CONFIRM PRODUCT AND INSTALLATION COMPLIANCE WITH ALL APPLICABLE FEDERAL, STATE AND LOCAL REGULATIONS AND STANDARDS.

**ALL SPECIAL UNITS ARE NON-RETURNABLE**

[ ] As drawn [ ] As marked

Signed: \_\_\_\_\_ Date: \_\_\_\_\_

LEAD TIME WILL START UPON RECEIPT OF SIGNED APPROVAL DRAWING

|   |  |                      |                  |            |
|---|--|----------------------|------------------|------------|
| FOR INTERNAL USE ONLY<br>PROJECT SIGN OFF |  | DISTRIBUTOR'S NAME:  |                  | P.O.#      |
|   |  | VESTIL MANUFACTURING |                  | X          |
| SALES                                     |  | DRAWN BY: LAS        | DATE: 06/11/2013 | W.O.#      |
| ENG.                                      |  | REFERENCE: X         | SCALE: 1:6       | X          |
| FAB.                                      |  | QUOTED LEAD TIME: X  | QUOTE #          | FILE NAME: |
| POWER                                     |  |                      | X                | 16-007-367 |