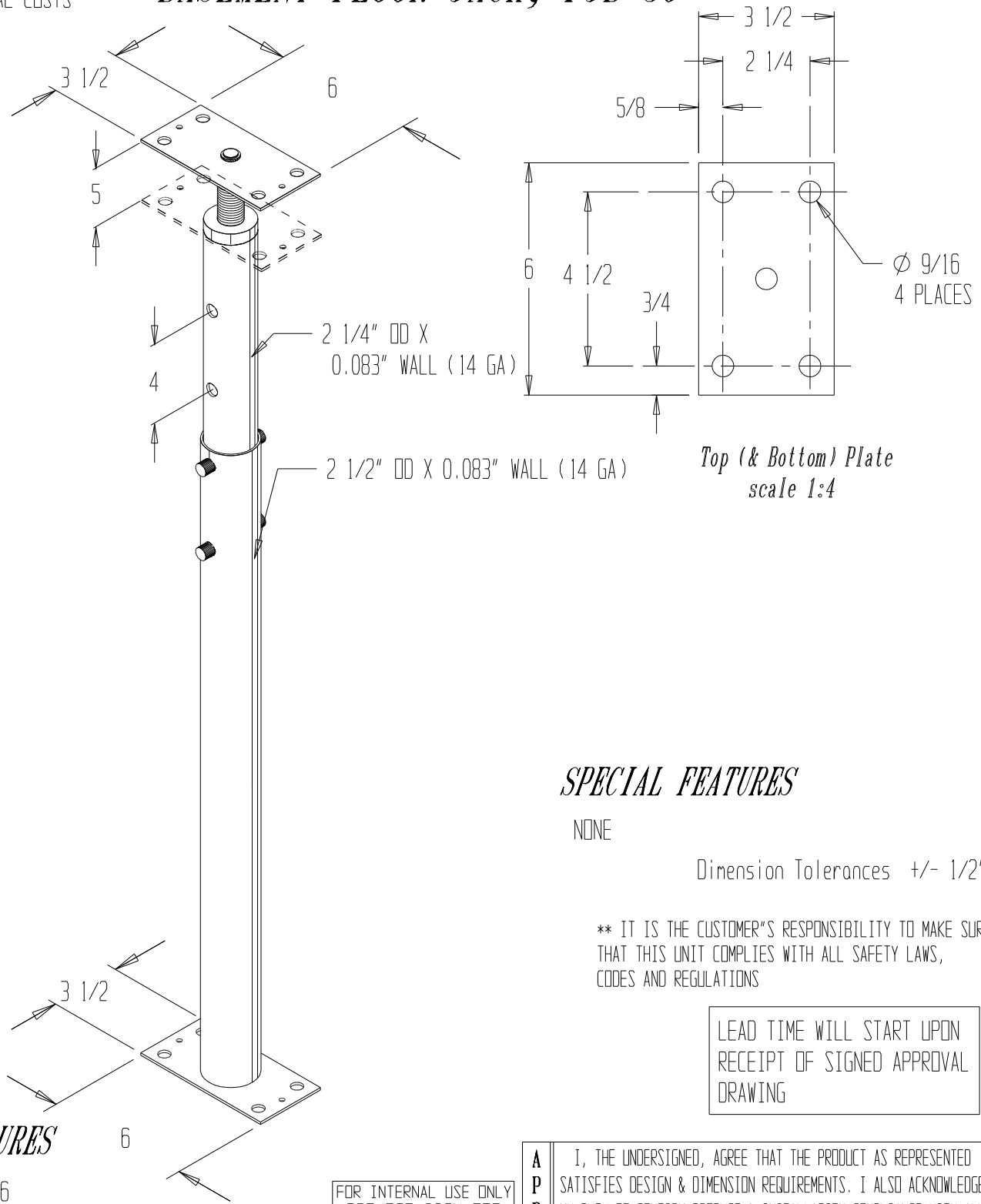


**SPECIAL UNITS ARE NON-RETURNABLE
 *AVAILABLE AT ADDITIONAL COSTS

BASEMENT FLOOR JACK, FJB-36



STANDARD FEATURES

MODEL NUMBER: FJB-36
 LOWERED HEIGHT: 19 INCHES
 LOWERED HEIGHT CAPACITY: 9,738 LBS
 RAISED HEIGHT: 36 INCHES
 RAISED HEIGHT CAPACITY: 6,863 LBS

- RED OXIDE FINISH
- ALL WELDED STEEL CONSTRUCTION
- TELESCOPIC DESIGN W/ REMOVABLE PINS
- END PAD INCLUDES SCREW & TURNING BAR FOR HEIGHT ADJUSTMENT

SPECIAL FEATURES

NONE

Dimension Tolerances +/- 1/2"

** IT IS THE CUSTOMER'S RESPONSIBILITY TO MAKE SURE THAT THIS UNIT COMPLIES WITH ALL SAFETY LAWS, CODES AND REGULATIONS

LEAD TIME WILL START UPON RECEIPT OF SIGNED APPROVAL DRAWING

FOR INTERNAL USE ONLY PROJECT SIGN OFF	
SALES	
ENG	
FAB.	
POWER	

A P P R O V A L

I, THE UNDERSIGNED, AGREE THAT THE PRODUCT AS REPRESENTED SATISFIES DESIGN & DIMENSION REQUIREMENTS. I ALSO ACKNOWLEDGE MY DUTY TO CONFIRM PRODUCT & INSTALLATION COMPLIANCE WITH ALL APPLICABLE FEDERAL, STATE AND LOCAL REGULATIONS & STANDARDS.

ALL SPECIAL UNITS ARE NON-RETURNABLE

[] As drawn [] As marked

Signed: _____ Date: _____

LEAD TIME WILL START UPON RECEIPT OF SIGNED APPROVAL DRAWING

DISTRIBUTOR'S NAME: VESTIL MFG		P.O.#: _
DRAWN BY: _____		W.O.#: _
DATE: _	SALES: _	
REFERENCE: _	SCALE: _	DRWG./FILE NAME:
QUOTED LEADTIME: _	QUOTE #: _	FJB-36