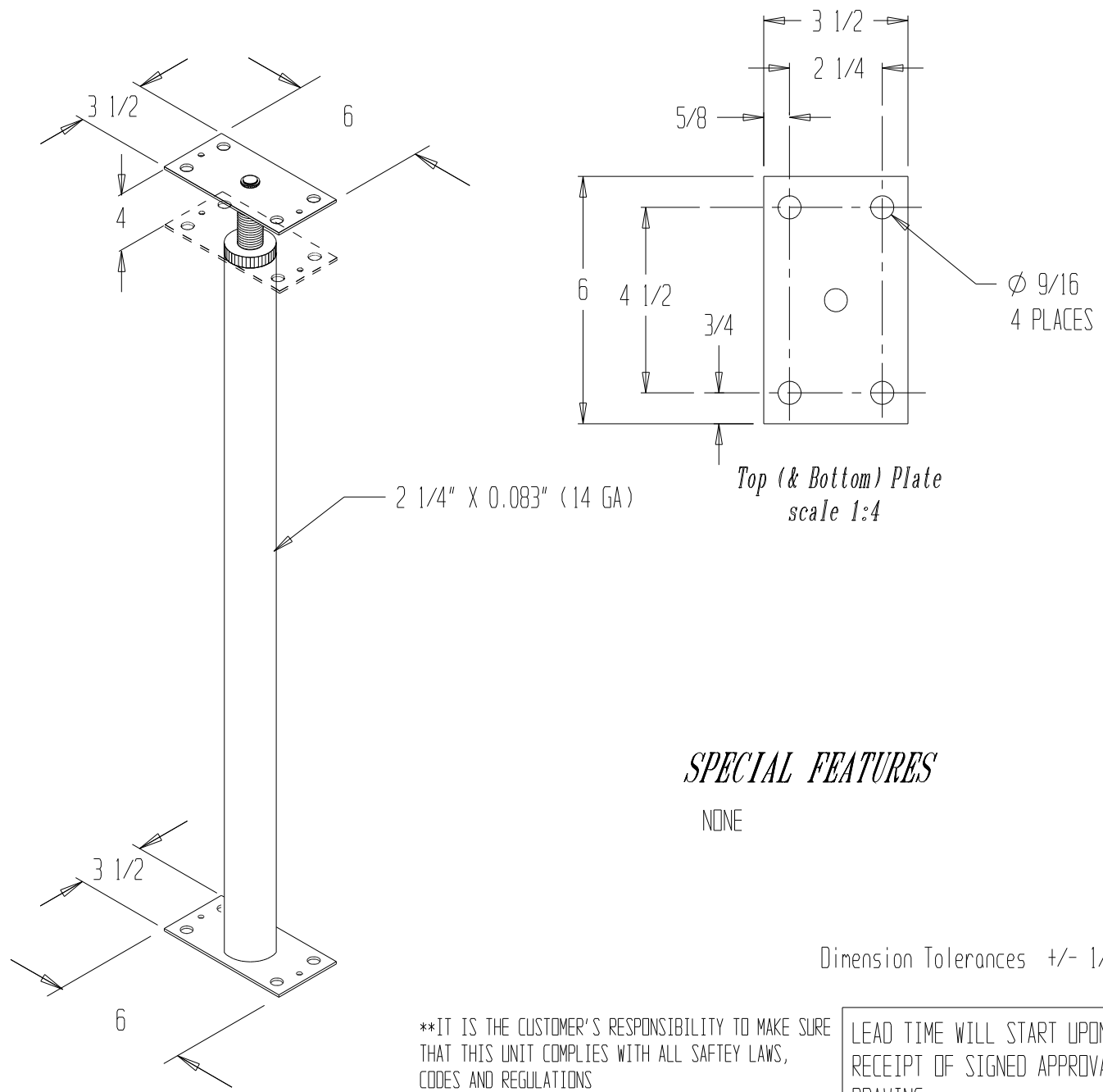


\*\*SPECIAL UNITS ARE NON-RETURNABLE  
 \*AVAILABLE AT ADDITIONAL COSTS

# BASEMENT FLOOR JACK, FJB-16



## SPECIAL FEATURES

NONE

Dimension Tolerances +/- 1/2"

\*\*IT IS THE CUSTOMER'S RESPONSIBILITY TO MAKE SURE THAT THIS UNIT COMPLIES WITH ALL SAFETY LAWS, CODES AND REGULATIONS

LEAD TIME WILL START UPON RECEIPT OF SIGNED APPROVAL DRAWING

## STANDARD FEATURES

- MODEL NUMBER: FJB-16
- LOWERED HEIGHT: 12 INCHES
- LOWERED HEIGHT CAPACITY: 9,738 LBS
- RAISED HEIGHT: 16 INCHES
- RAISED HEIGHT CAPACITY: 9,738 LBS

- RED OXIDE FINISH
- ALL WELDED STEEL CONSTRUCTION
- TELESCOPIC DESIGN W/ REMOVABLE PINS
- END PAD INCLUDES SCREW & TURNING BAR FOR HEIGHT ADJUSTMENT

FOR INTERNAL USE ONLY PROJECT SIGN OFF	
SALES	
ENG	
FAB.	
POWER	

**A** I, THE UNDERSIGNED, AGREE THAT THE PRODUCT AS REPRESENTED  
**P** SATISFIES DESIGN & DIMENSION REQUIREMENTS. I ALSO ACKNOWLEDGE  
**R** MY DUTY TO CONFIRM PRODUCT & INSTALLATION COMPLIANCE WITH ALL  
**O** APPLICABLE FEDERAL, STATE AND LOCAL REGULATIONS & STANDARDS.  
**V** **ALL SPECIAL UNITS ARE NON-RETURNABLE**  
 [ ] As drawn [ ] As marked  
**A** Signed: \_\_\_\_\_ Date: \_\_\_\_\_  
**L** LEAD TIME WILL START UPON RECEIPT OF SIGNED APPROVAL DRAWING

DISTRIBUTOR'S NAME: <b>VESTIL MFG</b>		P.O.#: _
		W.O.#: _
DRAWN BY: _	DATE: _	SALES: _
REFERENCE: _	SCALE: _	DRWG./FILE NAME: FJB-16
QUOTED LEADTIME: _	QUOTE #: _	