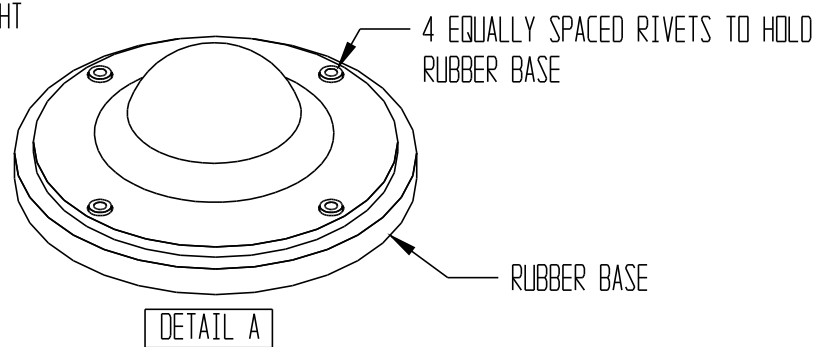
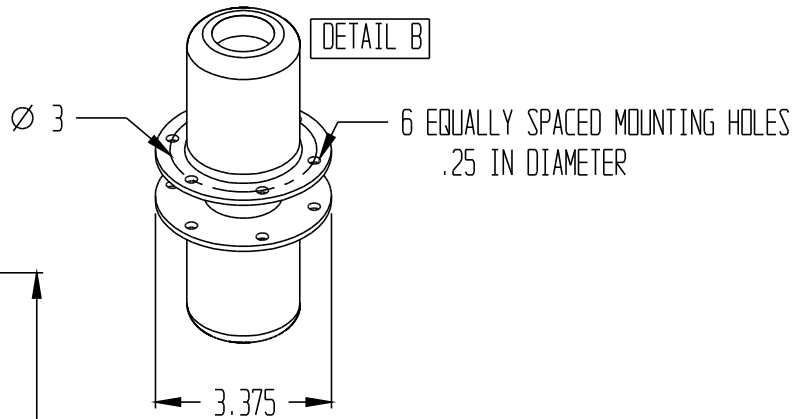
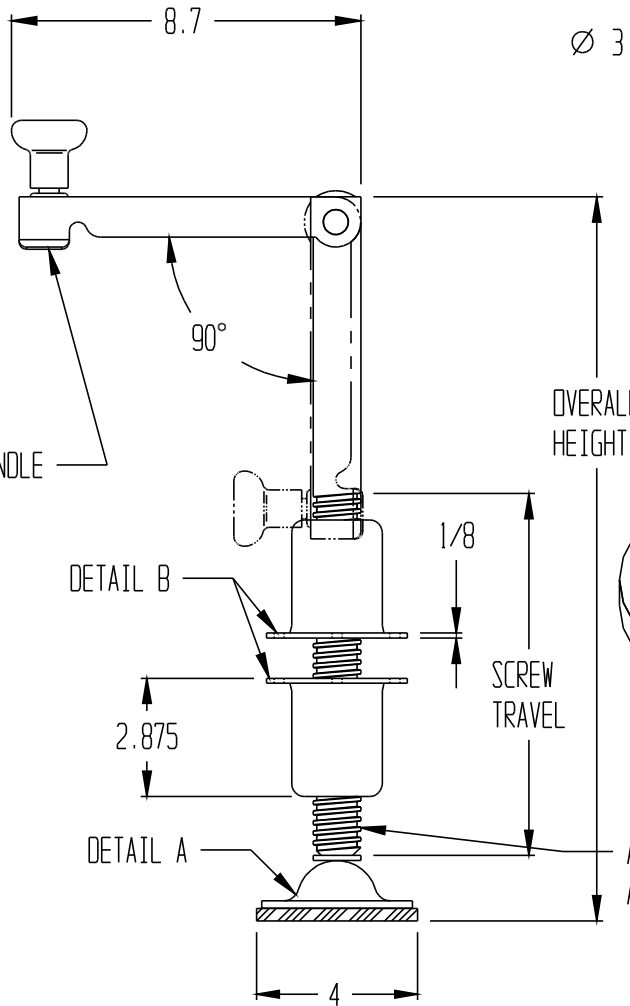
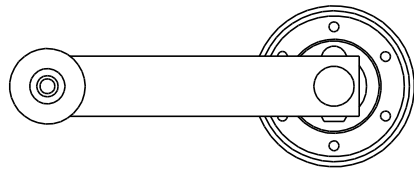


LEVELING JACK - LJ-9



FOR INTERNAL USE ONLY PROJECT SIGN OFF	
SALES	
ENG	
FAB.	
POWER	

DIM TOLERANCES +/- 1/2"

STANDARD FEATURES

- LEVELING JACK MODEL NUMBER LJ-9
- MINIMUM EXTENDED HEIGHT IS 4-1/2 INCHES
- MAXIMUM EXTENDED HEIGHT IS 13-1/2 INCHES
- OVERALL HEIGHT IS 18 INCHES
- SCREW TRAVEL IS 9 INCHES
- LIFT CAPACITY OF 5000 LBS
- HOLDING CAPACITY OF 10,000 LBS..
- FOLDABLE 8 INCH HANDLE
- THREE ROTATIONS YIELD ONE INCH STROKE

SPECIAL FEATURES

- NONE **SPECIAL UNITS ARE NON-RETURNABLE
- *AVAILABLE AT ADDITIONAL COSTS

APPROVAL

I, THE UNDERSIGNED, AGREE THAT THE PRODUCT AS REPRESENTED SATISFIES DESIGN & DIMENSION REQUIREMENTS. I ALSO ACKNOWLEDGE MY DUTY TO CONFIRM PRODUCT & INSTALLATION COMPLIANCE WITH ALL APPLICABLE FEDERAL, STATE AND LOCAL REGULATIONS & STANDARDS.

ANY MODIFIED UNITS ARE NON-RETURNABLE

[] As drawn [] As marked

Signed: _____ Date: _____

Printed Name: _____

LEAD TIME WILL START UPON RECEIPT OF SIGNED APPROVAL DRAWING

DISTRIBUTOR'S NAME: VESTIL MFG		P.O.#: _
DRAWN BY: _____		W.O.#: _
DATE: _	SALES: _	
REFERENCE: _	SCALE: _	DRWG./FILE NAME:
QUOTED LEADTIME: _	QUOTE #: _	30-007-010