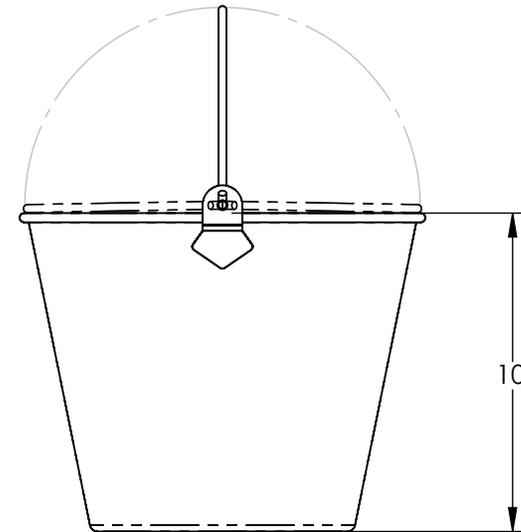
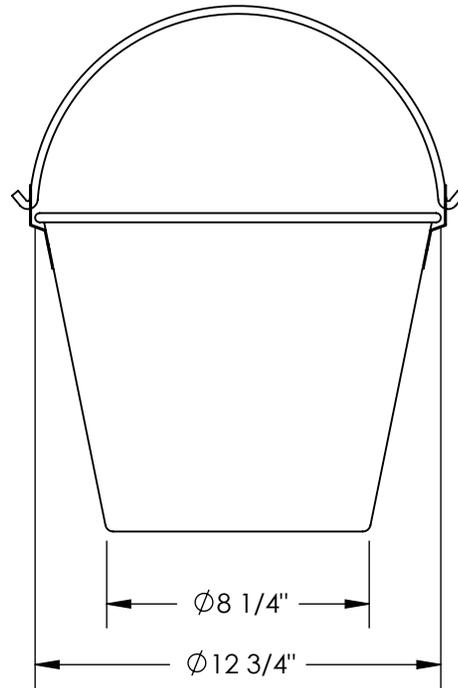


# STAINLESS STEEL BUCKET - MODEL: BKT-SS-325

APPROX WEIGHT: 4.90 lbs.  
DOES NOT INCLUDE WEIGHT OF POWER OR PACKAGING!!!

\*\*\* ANY ADDITIONS, DELETIONS, OR OMISSIONS MUST BE CORRECTED ON THIS DRAWING AS THIS DRAWING WILL BE CONSIDERED ALL INCLUSIVE \*\*\*

ALL GRAPHICS PROVIDED ARE FOR REFERENCE ONLY. IF CERTAIN DIMENSIONS ARE CRITICAL PLEASE VERIFY THOSE DIMENSIONS WITH YOUR SALESPERSON



## STANDARD FEATURES

MODEL NUMBER IS: BKT-SS-325  
 OVERALL SMALL DIAMETER IS: 8 1/4"  
 OVERALL LARGE DIAMETER IS: 12 3/4"  
 OVERALL HEIGHT IS: 10"  
 MAX VOLUME IS: 4 GALLONS OR 15.2 LITERS

## SPECIAL FEATURES

NONE

APPROVAL	I, THE UNDERSIGNED, AGREE THAT THE PRODUCT AS REPRESENTED SATISFIES DESIGN AND DIMENSION REQUIREMENTS. I ALSO ACKNOWLEDGE MY DUTY TO CONFIRM PRODUCT AND INSTALLATION COMPLIANCE WITH ALL APPLICABLE FEDERAL, STATE AND LOCAL REGULATIONS AND STANDARDS. <b>ALL SPECIAL UNITS ARE NON-RETURNABLE</b> [ ] As drawn      [ ] As marked	
	Signed: _____ Date: _____  LEAD TIME WILL START UPON RECEIPT OF SIGNED APPROVAL DRAWING	

DISTRIBUTOR'S NAME:		P.O.#
VESTIL MANUFACTURING		X
DRAWN BY:	DATE:	W.O.#
J. RIDLEY	02/10/09	X
REFERENCE:	SCALE: 1:6	SALES:
X	X	X
	QUOTE #	FILE NAME:
	X	30-007-877