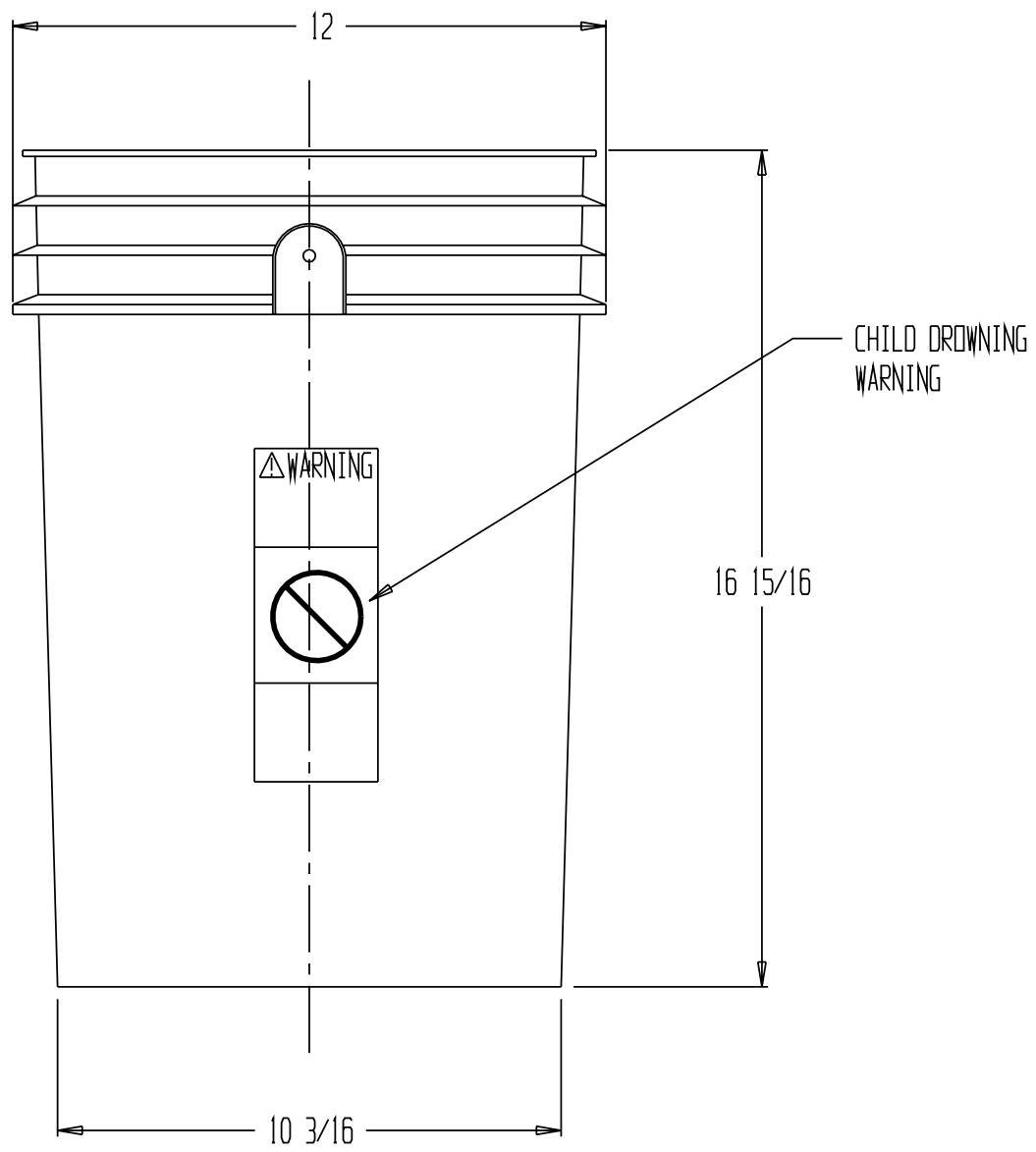


Plastic Pail with a Plastic Handle - PAIL - 6 - PWS



STANDARD FEATURES

- MODEL NUMBER: PAIL-6-PWS
- CAPACITY: 6 GALLON
- MATERIAL: HIGH DENSITY POLETHELENE (H.D.P.E.)
- COLOR: WHITE
- HANDLE: STEEL
- WIDTH AT WIDEST POINT: 12.01"
- OVERALL HEIGHT: 16.94"
- BOTTOM OUTSIDE DIAMETER: 10.20"
- MINIMUM WALL THICKNESS: 90 mil

Hot fill capacity up to 190°
w/ appropriate mat'l,
freezer application

* LIDS SOLD SEPERATELY *

APPROVAL

I, the undersigned, hereby approve this print
 As drawn As marked
 This includes my approval of design & dimensions.
 Signed: _____
 Date: _____

DISTRIBUTOR'S NAME:		P.O.#: _
VESTIL MANUFACTURING		W.O.#: _
DRAWN BY: _	DATE: _	SALES: _
REFERENCE:		DRWG./FILE NAME:
-		PAIL-6-PWS
SCALE: 1:4		