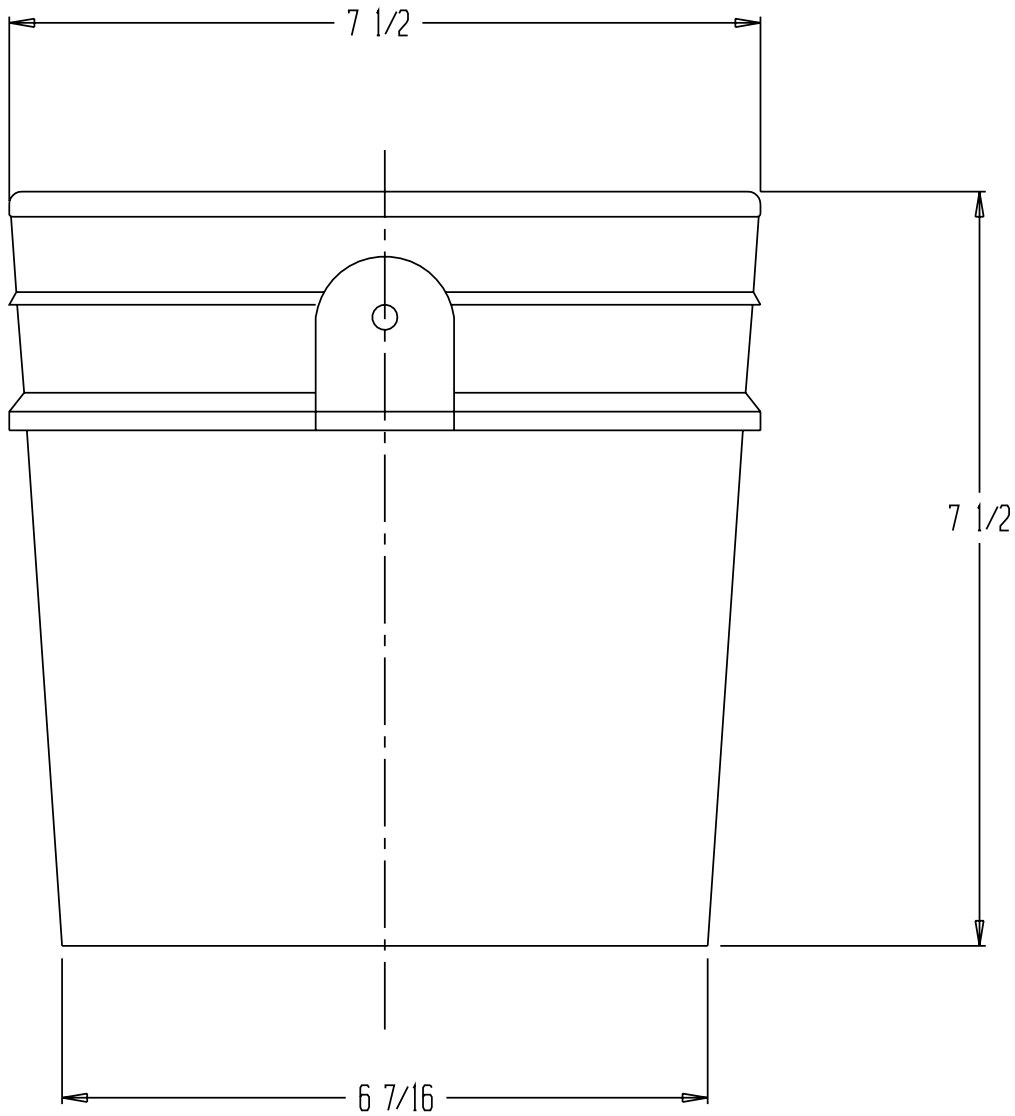


Plastic Pail with a Plastic Handle - PAIL - 1 - PWP



STANDARD FEATURES

MODEL NUMBER: PAIL-1-PWP
 CAPACITY: 1 GALLON
 MATERIAL: HIGH DENSITY POLYETHELENE (H.D.P.E.)
 COLOR: WHITE
 HANDLE: PLASTIC
 WIDTH AT WIDEST POINT: 7.74"
 OVERALL HEIGHT: 7.50"
 BOTTOM OUTSIDE DIAMETER: 6.42"
 MINIMUM WALL THICKNESS: 65 mil

* LIDS SOLD SEPERATELY *

LEAD TIME WILL START UPON
RECEIPT OF SIGNED APPROVAL
DRAWING

APPROVAL

I, the undersigned, hereby approve this print
 As drawn As marked
 This includes my approval of design & dimensions.
 Signed: _____
 Date: _____

DISTRIBUTOR'S NAME:		P.O.#: _
VESTIL MANUFACTURING		W.O.#: _
DRAWN BY: _	DATE: _	SALES: _
REFERENCE:		DRWG./FILE NAME:
-		PAIL-1-PWP
SCALE: 1:2		