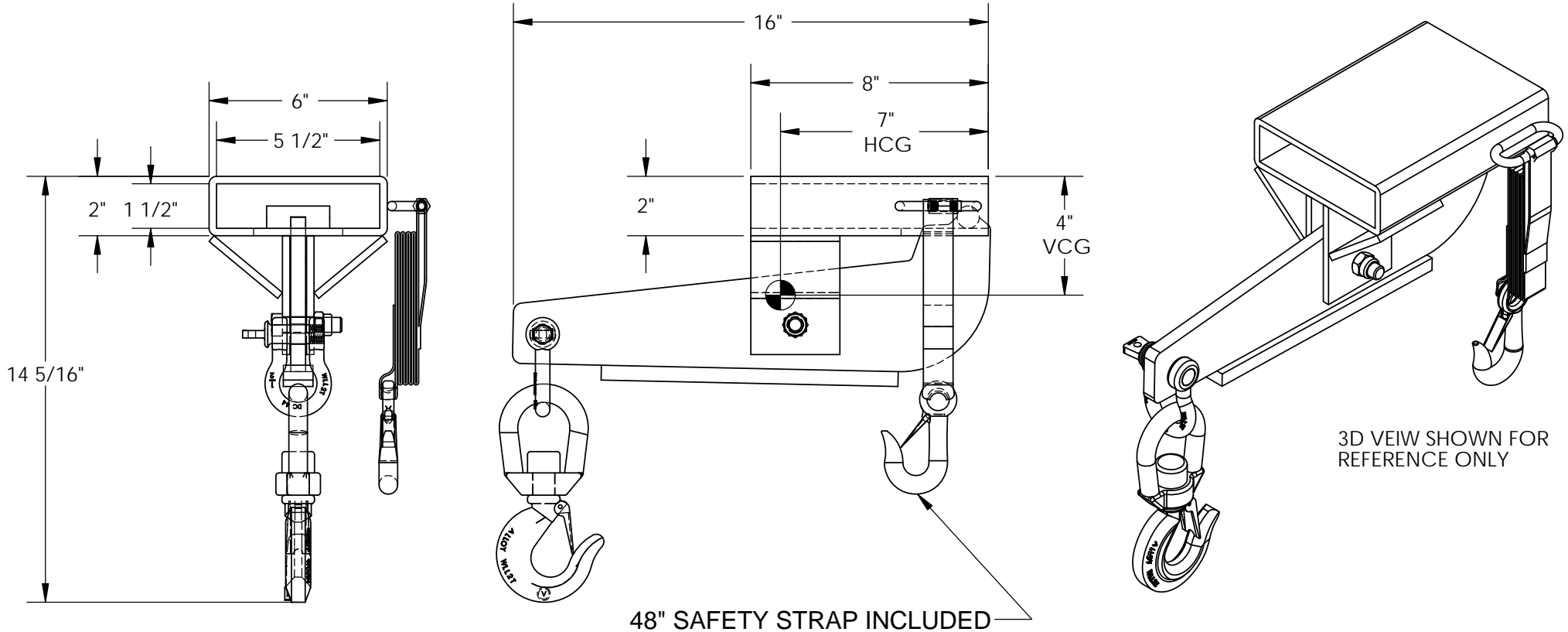


SINGLE FORK AUTO-TENSION HOISTING HOOK-S-FORK-4-AT

APPROX WEIGHT: 23.35 lbs. DOES NOT INCLUDE WEIGHT OF POWER OR PACKAGING!!!

*** ANY ADDITIONS, DELETIONS, OR OMISSIONS MUST BE CORRECTED ON THIS DRAWING AS THIS DRAWING WILL BE CONSIDERED ALL INCLUSIVE ***

ALL GRAPHICS PROVIDED ARE FOR REFERENCE ONLY. IF CERTAIN DIMENSIONS ARE CRITICAL PLEASE VERIFY THOSE DIMENSIONS WITH YOUR SALESPERSON



48" SAFETY STRAP INCLUDED

3D VIEW SHOWN FOR REFERENCE ONLY

DIMENSION TOLERANCE $\pm 1/4"$

STANDARD FEATURES

- MODEL NUMBER IS S-FORK-4-AT
- OVERALL WIDTH IS 6"
- OVERALL LENGTH IS 16"
- FORK POCKET USABLE WIDTH IS 5 1/2"
- FORK POCKET USABLE HEIGHT IS 1 1/2"
- FORK POCKET USABLE LENGTH IS 8"
- MAX CAPACITY IS 4,000 LBS
- LOST LOAD IS 23 LBS
- COLOR IS YELLOW
- 48" LG SAFETY STRAP INCLUDED

NEVER EXCEED LOAD CENTER RATING PER FORK TRUCK MANUFACTURER'S GUIDELINES. DO NOT USE THIS FORK TRUCK ATTACHMENT IF LOAD WILL EXCEED FORK TRUCK MANUFACTURER'S LOAD CENTER RATING.

SPECIAL FEATURES

NONE

APPROVAL

I, THE UNDERSIGNED, AGREE THAT THE PRODUCT AS REPRESENTED SATISFIES DESIGN AND DIMENSION REQUIREMENTS. I ALSO ACKNOWLEDGE MY DUTY TO CONFIRM PRODUCT AND INSTALLATION COMPLIANCE WITH ALL APPLICABLE FEDERAL, STATE AND LOCAL REGULATIONS AND STANDARDS.
ALL SPECIAL UNITS ARE NON-RETURNABLE
 As drawn As marked

Signed: _____ Date: _____

LEAD TIME WILL START UPON RECEIPT OF SIGNED APPROVAL DRAWING

| | |
|---|--|
| FOR INTERNAL USE ONLY PROJECT SIGN OFF | |
| SALES | |
| ENG. | |
| FAB. | |
| POWER | |

| | | |
|----------------------|------------------|------------|
| DISTRIBUTOR'S NAME: | | P.O.# |
| VESTIL MANUFACTURING | | X |
| W.O.# | | X |
| DRAWN BY: MS | DATE: 08/24/2010 | SALES: X |
| REFERENCE: X | SCALE: 1:5 | FILE NAME: |
| QUOTED LEAD TIME: X | QUOTE # X | 08-007-242 |