



Vestil Manufacturing Co.

2999 North Wayne Street, P.O. Box 507, Angola, IN 46703

Telephone: (260) 665-7586 -or- Toll Free (800) 348-0868

Fax: (260) 665-1339

Web: www.vestil.com e-mail: info@vestil.com

LM-Series Fork Truck Attachments



**LM-HRT &
LM-HRNT**



**LM-OBT &
LM-OBNT**



**LM-1T &
LM-1NT**

NOTE: MODELS LM-EBT & EBNT NOT SHOWN.

Receiving Instructions

After delivery, remove the packaging from the product. Inspect the product closely to determine whether it sustained damage during transport. If damage is discovered, record a complete description of it on the bill of lading. If the product is undamaged, discard the packaging.

NOTE: The end-user is solely responsible for confirming that product design, use, and maintenance comply with laws, regulations, codes, and mandatory standards applied where the product is used.

Technical Service & Replacement Parts

For answers to questions not addressed in these instructions and to order replacement parts, labels, and accessories, call our Technical Service and Parts Department at (260) 665-7586. The department can also be contacted online at <https://www.vestil.com/page-parts-request.php>.





Electronic copies of Instruction Manuals

Additional copies of this instruction manual may be downloaded from <https://www.vestil.com/page-manuals.php>

Table of Contents		Page
Signal Words.....		2
Safety Instructions.....		2
National Standards.....		2
Fig. 1: LM-1T & -1NT Exploded Views, Parts Lists, Centers of Gravity.....		3, 4, 5, 6
Fig. 2: LM-OBT & -OBNT Exploded Views, Parts Lists, Centers of Gravity.....		7, 8, 9, 10
Fig. 3: LM-HRT & -HRNT Exploded Views, Parts Lists, Centers of Gravity.....		11, 12, 13, 14
Fig. 4: LM-EBT & -EBNT Exploded Views, Parts Lists, Centers of Gravity.....		15, 16, 17, 18
Loading & Using the Boom.....		19, 20, 21
Record of Satisfactory Condition.....		21
Load Tests.....		21
Inspections.....		22
Maintenance.....		22
Labeling Diagram.....		23
Limited Warranty.....		24
Load Test Record.....		25

SIGNAL WORDS

SIGNAL WORDS in this manual draw the reader's attention to important safety-related messages.

 DANGER	Identifies a hazardous situation which, if not avoided, WILL result in DEATH or SERIOUS INJURY . Use of this signal word is limited to the most extreme situations.
 WARNING	Identifies a hazardous situation which, if not avoided, COULD result in DEATH or SERIOUS INJURY .
 CAUTION	Indicates a hazardous situation which, if not avoided, COULD result in MINOR or MODERATE injury.
 NOTICE	Identifies practices likely to result in product/property damage, such as operation that might damage the product.

SAFETY INSTRUCTIONS

Vestil strives to identify foreseeable hazards associated with the use of its products. Material handling is dangerous and no manual can address every conceivable risk. The end-user must exercise sound judgment at all times. Acquire a copy of the latest version of ANSI B56.1 from www.ITSDF.org. Apply all relevant portions of Part II "For the User". The following recommendations complement the guidance provided in B56.1.

WARNING

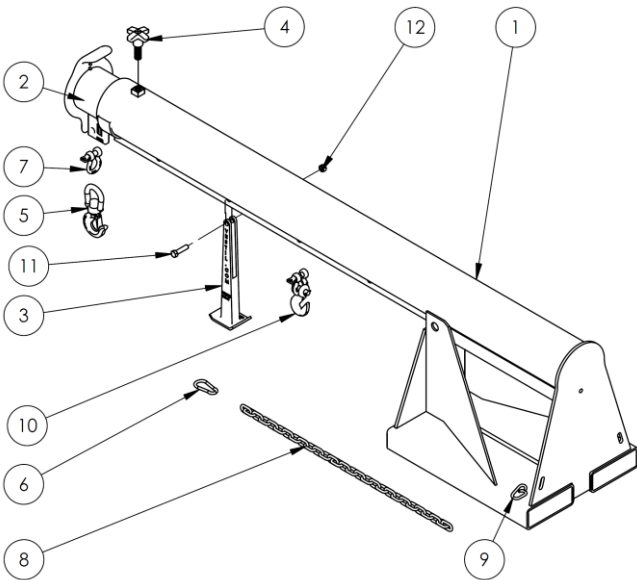
Material handling is dangerous. Improper or careless operation might result in serious personal injuries.

- Always use this boom in compliance with all rules applied to fork truck attachments at your worksite.
- DO NOT use a damaged boom. Only use the boom if it is in [SATISFACTORY CONDITION](#) (see [RECORD](#), p. 21). Inspect the boom before each use according to the relevant [INSPECTION](#) instructions on p. 22.
- Only use this boom with a fork truck having a capacity at least equal to 125% of the boom capacity plus the weight of the boom.
- DO NOT contact electrified wires with the boom, load, or lift truck.
- DO NOT use the boom if the safety chain is damaged or missing. The only function of the safety chain is to prevent the boom from sliding off of the forks. DO NOT use the safety chain to lift loads. It is NOT intended or designed to bear the full load rating of the boom.
- DO NOT lift the boom until the restraint strap is securely connected to the carriage of the fork truck.
- DO NOT attempt to lift a load weighing more than the boom's maximum rated load. Load ratings for all boom variants appear on pages 4, 6, 8, 10, 12, 14, 16, & 18. Also see [LOAD TESTING](#) on p. 21-22.
- NEVER lift this boom, or loads connected to the boom, over people.
- DO NOT permit any person to stand beneath, or travel under, the boom or the load.
- Inform everyone in the area to stay clear of the boom and the supported load during use.
- DO NOT allow people to ride on either the boom or the load.
- DO NOT use the boom if any label is damaged, missing, or not easily readable from a reasonable, safe distance. Contact [TECHNICAL SERVICE](#) to order labels. See [LABELING DIAGRAM](#), p. 23.
- ALWAYS apply proper (fork) lift operation practices learned during your training program.
- Always make sure that shackle pins (see shackles in applicable [EXPLODED VIEW](#)) are secure before applying a load to the load hook. Tighten the screw pin before each use.
- Before raising the boom from the floor AND before attaching the load to the boom, tilt the fork lift mast away from the boom to ensure that the boom will not slide towards the tips of the forks.
- ALWAYS follow the [LOADING AND USING](#) instructions that appear on p. 19-21. Failure to properly position a load might cause a dangerous degree of load swing when the boom is elevated.
- Only use the boom to lift loads. DO NOT use the boom to drag items.
- Transport loads with the load as low as possible.
- Drive, brake, and turn slowly with suspended loads to avoid causing the load to swing.
- DO NOT modify the boom in any way. Modifications automatically void the [LIMITED WARRANTY](#) (p. 24) and might make the boom unsafe to use.

NATIONAL STANDARDS

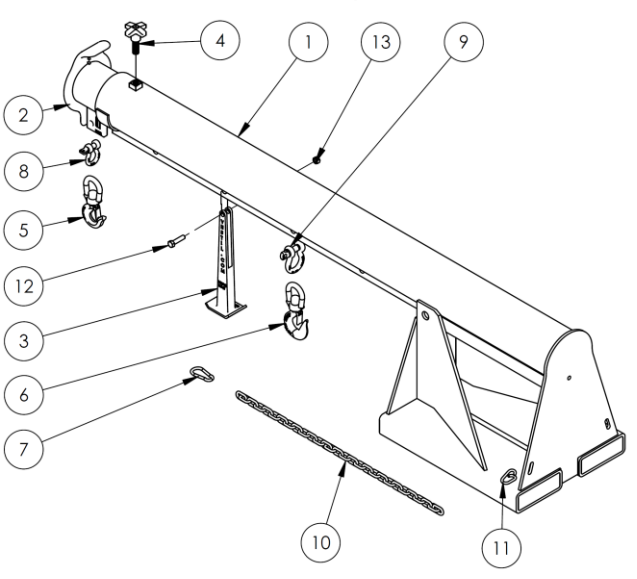
US OSHA Rule 1910.178 (29 CFR 1910.178; the "Rule") classifies this boom as a (lift truck) front end attachment whenever it is mounted on a lift truck. The Rule incorporates American National Standard ANSI/ITSDF B56.1 (the "Standard"). The Standard is published by the Industrial Truck Standards Development Foundation on its website (www.itsdf.org) where it is freely downloadable at <http://www.itsdf.org/cue/b56-standards.html>. Before putting this device into service, you must acquire a copy of the Standard. Apply all relevant parts of Part II: For the User. **Lift truck users must mark (tag or label) the truck to identify the boom, show the weight of the truck and boom combination, and show the capacity of the truck with the boom at maximum elevation with the load laterally centered.** If instructions provided in this manual conflict with the Standard, then you should apply the instructions in the Standard. Vestil requests that you immediately share any such conflicts with its [TECHNICAL SERVICE](#) personnel. Contact information for [TECHNICAL SERVICE](#) appears on the cover page of this manual.

FIG. 1A: LM-1T-3-24 & LM-1T-4k Exploded View & Bill of Materials



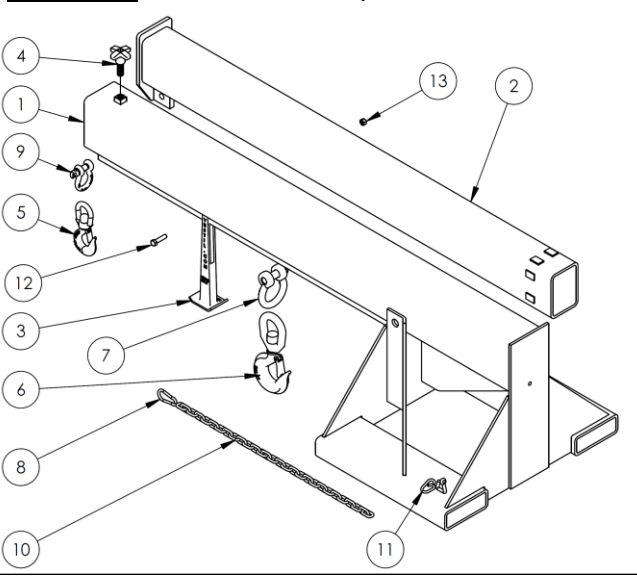
Item	Part No.	Description	Quantity
1	08-514-176	Weldment, frame, boom/base, 4k:	1
	08-514-111	LM-1T-4-11	1
	08-514-177	LM-1T-4-24 & LM-1T-3-24	1
	08-514-178	LM-1T-4-30	1
	08-514-178	LM-1T-4-36	1
2	08-514-261	Weldment, inner tube	1
3	08-014-134	Frame, front support leg casting	1
4	08-025-004	X-handle, locking bolt	1
5	08-145-001	Swivel hook, 2-ton	1
6	08-145-041	5/16" snap hook	1
7	08-145-010	1/2" shackle, 2-ton	1
8	99-145-037	5/16" chain 36" long	1
9	99-145-084	Lap link	1
10	99-645-019	2-ton hook and shackle	1
11	11211	1/2" -13UNC x 2" HHCS zinc-plated bolt	1
12	36109	1/2" - 13UNC hex nut	1

FIG. 1B: LM-1T-6k Exploded View & Bill of Materials



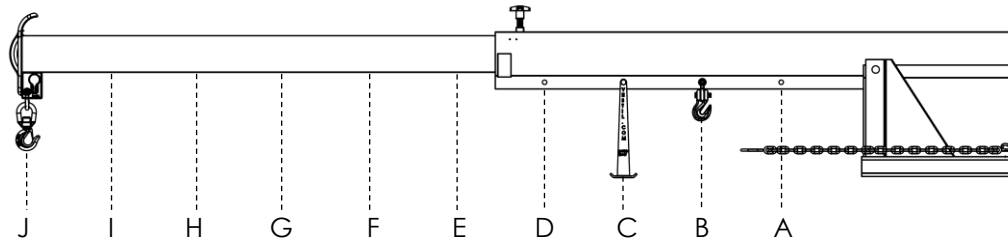
Item	Part No.	Description	Quantity
1	08-514-179	Weldment, frame, boom/base, 6k:	1
	08-514-113	LM-1T-6-11	1
	08-514-180	LM-1T-6-24	1
	08-514-181	LM-1T-6-30	1
	08-514-181	LM-1T-6-36	1
2	08-514-261	Weldment, inner tube	1
3	08-014-134	Frame, front support leg casting	1
4	08-025-004	X-handle, locking bolt	1
5	08-145-001	Swivel hook, 2-ton	1
6	08-145-002	Swivel hook, 3-ton	1
7	08-145-041	5/16" snap hook	1
8	08-145-010	1/2" shackle, 2-ton	1
9	99-145-019	5/8" 3.25-ton shackle	1
10	99-145-037	5/16" chain 36" long	1
11	99-145-084	Lap link	1
12	11211	1/2" -13UNC x 2" HHCS zinc-plated bolt	1
13	36109	1/2" - 13UNC hex nut	1

FIG. 1C: LM-1T-8k Exploded View & Bill of Materials



Item	Part No.	Description	Quantity
1	08-514-115	Weldment, frame, boom/base, 8k:	1
	08-514-315	LM-1T-8-24	1
	08-514-316	LM-1T-8-30	1
	08-514-316	LM-1T-8-36	1
2	08-514-272	Weldment, inner tube	1
3	08-014-134	Frame, front support leg casting	1
4	08-025-004	X-handle, locking bolt	1
5	08-145-002	Swivel hook, 3-ton	1
6	08-145-005	Swivel hook, 5-ton	1
7	08-145-006	7/8" 6.5-ton shackle	1
8	08-145-041	5/16" snap hook	1
9	99-145-019	5/8" 3.25-ton shackle	1
10	99-145-037	5/16" chain 36" long	1
11	99-145-084	Lap link	1
12	11211	1/2" -13UNC x 2" HHCS zinc-plated bolt	1
13	36110	1/2" - 13UNC zinc-plated hex nut	1

FIG. 1D: LM-1T- 4k, 6k & 8k Centers of Gravity (CoG) and Maximum Load Ratinas for Varying Load Attachment Point and Boom

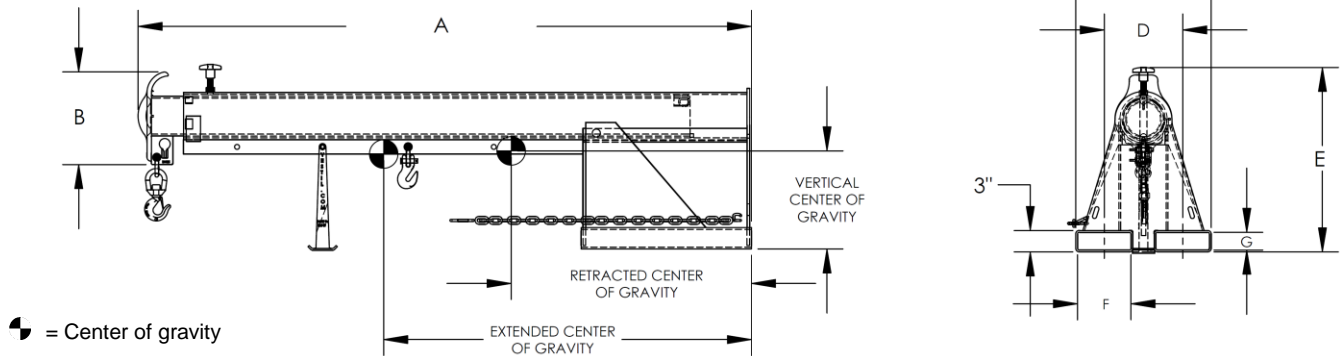


Hook position	A	B	C	D	E	F	G	H	I	J
Distance from end of boom	36" 91 cm	48" 122 cm	60" 152 cm	72" 183 cm	84" 213 cm	96" 244 cm	108" 274 cm	120" 305 cm	132" 335 cm	144" 366 cm
Maximum rated load. Load suspended from a single hook located at the corresponding hook position.										
LM-1T-3-24	3000 lb. 1363 kg	2750 lb. 1250 kg	2500 lb. 1136 kg	2250 lb. 1022 kg	2000 lb. 909 kg	1750 lb. 795 kg	1500 lb. 681 kg	1250 lb. 568 kg	1000 lb. 454 kg	750 lb. 340 kg
LM-1T-4k	4000 lb. 1820 kg	3750 lb. 1705 kg	3500 lb. 1590 kg	3250 lb. 1477 kg	3000 lb. 1363 kg	2750 lb. 1250 kg	2500 lb. 1136 kg	2250 lb. 1022 kg	2000 lb. 909 kg	1750 lb. 795 kg
LM-1T-6k	6000 lb. 2727 kg	5000 lb. 2272 kg	4500 lb. 2045 kg	4000 lb. 1820 kg	3500 lb. 1590 kg	3000 lb. 1363 kg	2600 lb. 1181 kg	2300 lb. 1045 kg	2000 lb. 909 kg	1800 lb. 818 kg
LM-1T-8k	8000 lb. 3636 kg	6650 lb. 3022 kg	6000 lb. 2727 kg	5300 lb. 2409 kg	4650 lb. 2113 kg	4000 lb. 1820 kg	3500 lb. 1590 kg	3000 lb. 1363 kg	2600 lb. 1181 kg	2200 lb. 1000 kg

The center of gravity of the boom changes as boom length changes. As shown in the diagram below, the horizontal center of gravity may be located at any point from RHCG to EHCG:

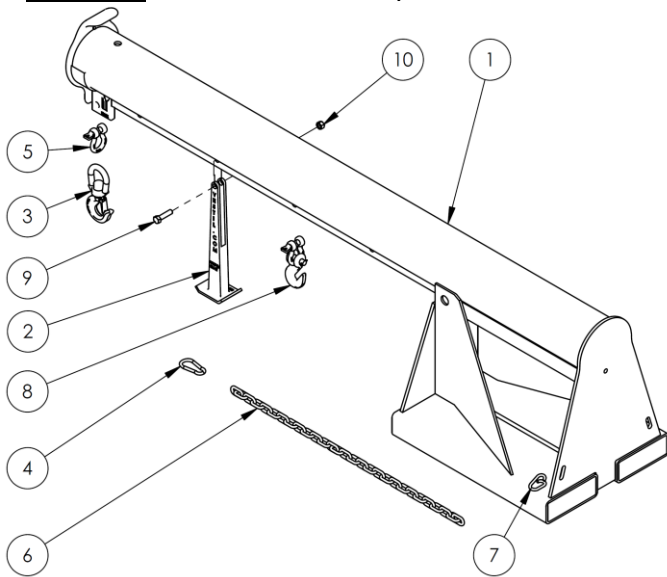
- **Retracted horizontal center of gravity (RHCG):** boom fully retracted and unloaded. RHCG is measured from the "origin point" of the above diagram (edges of the fork pockets);
- **Extended horizontal center of gravity (EHCG):** boom fully extended and unloaded. EHCG is also measured from the "origin point" of the above diagram (edges of the fork pockets);
- All other combinations of boom extension and load position produce a horizontal center of gravity located somewhere between RHCG and EHCG.

FIG. 1E: LM-1T centers of gravity and dimensions



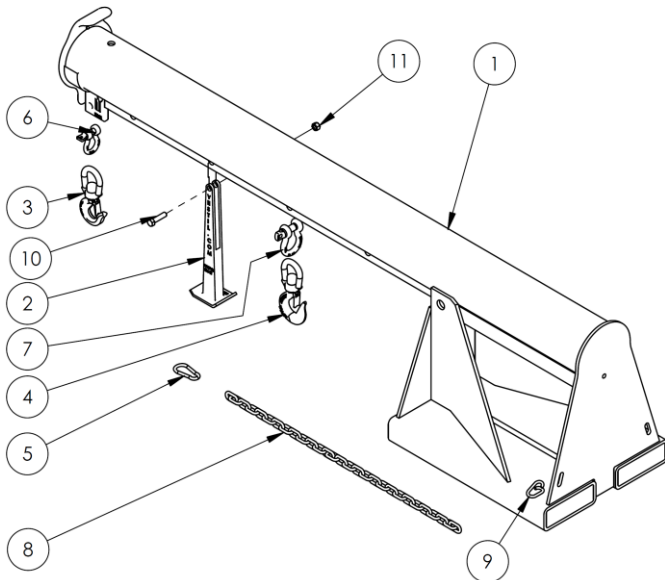
Model	Extended horizontal center of gravity	Retracted horizontal center of gravity	Vertical center of gravity	A	B	C	D	E	F	G	Net weight
LM-1T-3-24	48 ¹³ / ₁₆ " (124 cm)	32 ¹¹ / ₁₆ " (83 cm)	13 ¹³ / ₁₆ " (33.5 cm)	86-151 ¹ / ₄ "	13"	32"	24"	25 ⁷ / ₈ "	7 ¹ / ₂ "	2 ¹ / ₂ "	434.4 lb.
LM-1T-4-11	51 in. (129.5 cm)	33 ¹⁵ / ₁₆ in. (86.2 cm)	13 ⁵ / ₈ " (34.6 cm)	86-153 ¹ / ₂ "	13"	19"	11"	25 ⁷ / ₈ "	7 ¹ / ₂ "	2 ¹ / ₂ "	404.7 lb.
LM-1T-4-24	48 ¹³ / ₁₆ in. (124.0 cm)	32 ¹¹ / ₁₆ in. (83.0 cm)	13 ³ / ₁₆ " (33.5 cm)	86-153 ¹ / ₂ "	13"	32"	24"	25 ⁷ / ₈ "	7 ¹ / ₂ "	2 ¹ / ₂ "	429.3 lb.
LM-1T-4-30	47 ⁷ / ₁₆ in. (120.5 cm)	32 in. (81.3 cm)	12 ¹⁵ / ₁₆ " (32.9 cm)	86-153 ¹ / ₂ "	13"	38"	30"	25 ⁷ / ₈ "	7 ¹ / ₂ "	2 ¹ / ₂ "	447.4 lb.
LM-1T-4-36	46 ³ / ₁₆ in. (117.3 cm)	31 ⁵ / ₁₆ in. (79.5 cm)	12 ¹¹ / ₁₆ " (32.2 cm)	86-153 ¹ / ₂ "	13"	44"	36"	25 ⁷ / ₈ "	7 ¹ / ₂ "	2 ¹ / ₂ "	465.4 lb.
LM-1T-6-11	47 ⁷ / ₁₆ in. (120.5 cm)	32 ³ / ₁₆ in. (81.8 cm)	12 ⁵ / ₈ " (32.1 cm)	86-153 ¹ / ₂ "	13"	19"	11"	25 ⁷ / ₈ "	7 ¹ / ₄ "	2 ¹ / ₄ "	452.7 lb.
LM-1T-6-24	45 ¹¹ / ₁₆ in. (116 cm)	31 ³ / ₁₆ in. (79.2 cm)	12 ⁵ / ₁₆ " (31.3 cm)	86-153 ¹ / ₂ "	13"	32"	24"	25 ⁷ / ₈ "	7 ¹ / ₄ "	2 ¹ / ₄ "	477.4 lb.
LM-1T-6-30	44 ¹ / ₂ in. (113 cm)	30 ⁹ / ₁₆ in. (77.6 cm)	12 ¹ / ₈ " (30.8 cm)	86-153 ¹ / ₂ "	13"	38"	30"	25 ⁷ / ₈ "	7 ¹ / ₄ "	2 ¹ / ₄ "	497.0 lb.
LM-1T-6-36	43 ³ / ₈ in. (110.2 cm)	29 ¹⁵ / ₁₆ in. (76 cm)	11 ¹⁵ / ₁₆ " (30.3 cm)	86-153 ¹ / ₂ "	13"	44"	36"	25 ⁷ / ₈ "	7 ¹ / ₄ "	2 ¹ / ₄ "	516.5 lb.
LM-1T-8-24	53 ¹ / ₄ in. (135.3 cm)	34 ⁷ / ₁₆ in. (87.5 cm)	13 ⁵ / ₈ " (34.6 cm)	84 ⁵ / ₈ -149 ¹ / ₈ "	11 ¹ / ₂ "	32"	24"	26 ⁹ / ₁₆ "	7 ¹ / ₄ "	2 ¹ / ₄ "	665.3 lb.
LM-1T-8-30	53 ¹ / ₄ in. (135.3 cm)	34 ⁷ / ₁₆ in. (87.5 cm)	13 ⁵ / ₈ " (34.6 cm)	84 ⁵ / ₈ -149 ¹ / ₈ "	11 ¹ / ₂ "	38"	30"	26 ⁹ / ₁₆ "	7 ¹ / ₄ "	2 ¹ / ₄ "	688.5 lb.
LM-1T-8-36	53 ¹ / ₄ in. (135.3 cm)	34 ⁷ / ₁₆ in. (87.5 cm)	13 ⁵ / ₈ " (34.6 cm)	84 ⁵ / ₈ -149 ¹ / ₈ "	11 ¹ / ₂ "	44"	36"	26 ⁹ / ₁₆ "	7 ¹ / ₄ "	2 ¹ / ₄ "	711.7 lb.

FIG. 1F: LM-1NT-4k Exploded View & Bill of Materials



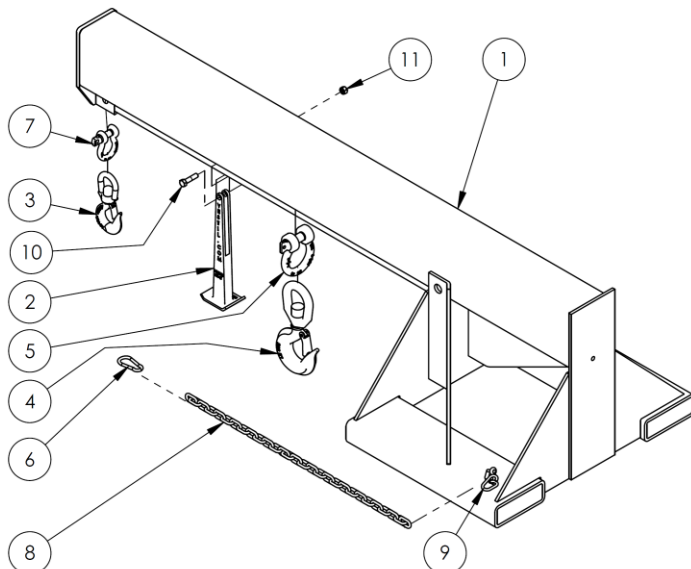
Item	Part No.	Description	Quantity
1	08-514-319	Weldment, frame, boom/base: LM-1NT-4-11	1
	08-514-128	LM-1NT-4-24	1
	08-514-320	LM-1NT-4-30	1
	08-514-321	LM-1NT-4-36	1
2	08-014-134	Frame, front support leg casting	1
3	08-145-001	Swivel hook, 2-ton	1
4	08-145-041	5/16" snap hook	1
5	08-145-010	1/2" 2-ton shackle	1
6	99-145-037	5/16" chain 36" long	1
7	99-145-084	Lap link	1
8	99-645-019	2-ton hook and shackle	1
9	11211	1/2in. - 13 UNC x 2in. HHCS zinc-plated bolt	1
10	36109	1/2in. - 13 UNC hex nut	1

FIG. 1G: LM-1NT-6k Exploded View & Bill of Materials



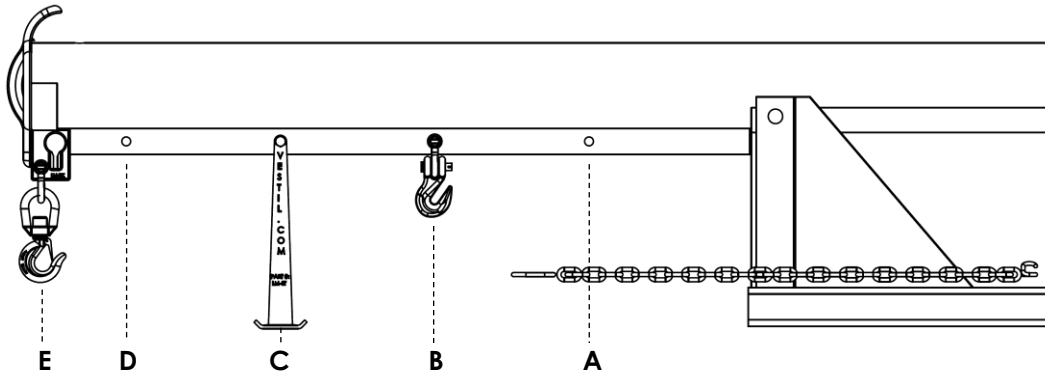
Item	Part No.	Description	Quantity
1	08-514-322	Weldment, frame, boom/base: LM-1NT-6-11	1
	08-514-129	LM-1NT-6-24	1
	08-514-323	LM-1NT-6-30	1
	08-514-324	LM-1NT-6-36	1
2	08-014-134	Frame, front support leg casting	1
3	08-145-001	Swivel hook, 2-ton	1
4	08-145-002	Swivel hook, 3-ton	1
5	08-145-041	5/16" snap hook	1
6	08-145-010	1/2" 2-ton shackle	1
7	99-145-019	5/8" 3.25-ton shackle	1
8	99-145-037	5/16" chain 36" long	1
9	99-145-084	Lap link	1
10	11211	1/2in. - 13 UNC x 2in. HHCS zinc-plated bolt	1
11	36109	1/2in. - 13 UNC hex nut	1

FIG. 1H: LM-1NT-8k Exploded View & Bill of Materials



Item	Part No.	Description	Quantity
1	08-514-130	Weldment, frame, boom/base: LM-1NT-8-24	1
	08-514-317	LM-1NT-8-30	1
	08-514-318	LM-1NT-8-36	1
2	08-014-134	Frame, front support leg casting	1
3	08-145-002	Swivel hook, 3-ton	1
4	08-145-005	Swivel hook, 5-ton	1
5	08-145-006	7/8" 6.5-ton shackle	1
6	08-145-041	5/16" snap hook	1
7	99-145-019	5/8" 3.25-ton shackle	1
8	99-145-037	5/16" chain 36" long	1
9	99-145-084	Lap link	1
10	11211	1/2in. - 13 UNC x 2in. HHCS zinc-plated bolt	1
11	36110	1/2" - 13UNC zinc-plated hex nut	1

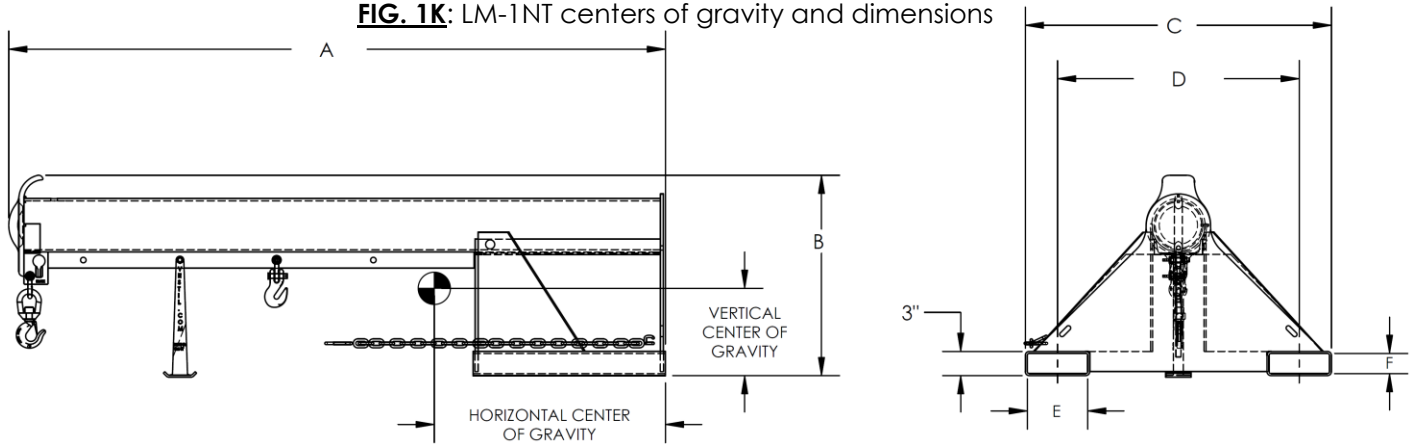
FIG. 1J: LM-1NT- 4k, 6k & 8k Centers of Gravity and Maximum Load Ratings for Varying Load Attachment Points



Hook position	A	B	C	D	E
Distance from end of boom in inches (cm)	36" 91 cm	48" 122 cm	60" 152 cm	72" 183 cm	84" 213 cm
Maximum rated load of a load suspended from a single hook located at the corresponding "Hook position".					
LM-1NT-4k	4000 lb. 1820 kg	3750 lb. 1705 kg	3500 lb. 1590 kg	3250 lb. 1477 kg	3000 lb. 1363 kg
LM-1NT-6k	6000 lb. 2727 kg	5000 lb. 2272 kg	4500 lb. 2045 kg	4000 lb. 1820 kg	3500 lb. 1590 kg
LM-1NT-8k	8000 lb. 3636 kg	6650 lb. 3022 kg	6000 lb. 2727 kg	5300 lb. 2409 kg	4850 lb. 2205 kg

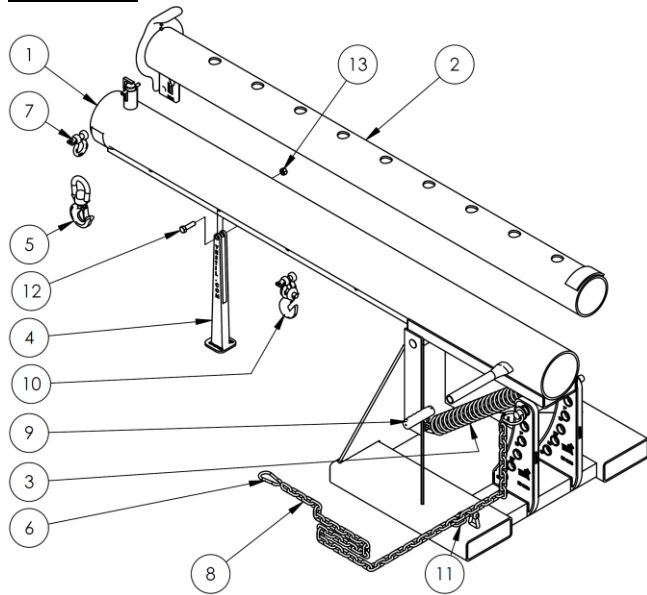
Center of gravity has both a horizontal component and a vertical component. The *vertical* center of gravity (VCG) lies along a horizontal line above the bottom edges of the fork pockets. Similarly, the *horizontal* center of gravity (HCG) is located along a vertical line as shown in the diagram below.

FIG. 1K: LM-1NT centers of gravity and dimensions



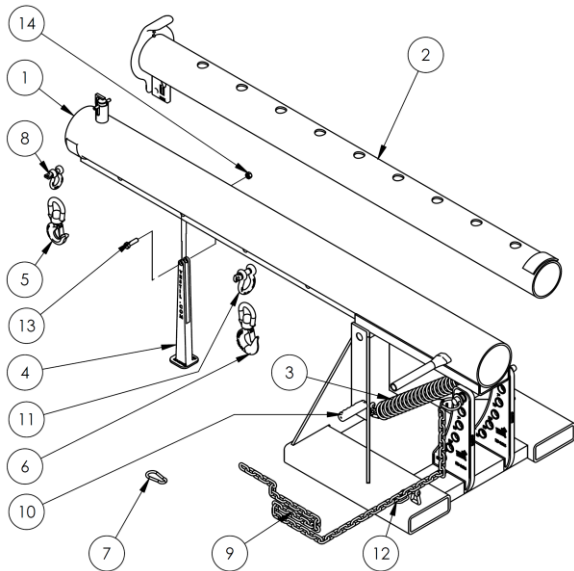
Model	Horizontal center of gravity	Vertical center of gravity	A	B	C	D	E	F	Net weight
LM-1NT-4-11	28 ¹¹ / ₁₆ " (72.9 cm)	10 ¹³ / ₁₆ " (27.5 cm)	81 ¹ / ₂ "	27 ¹¹ / ₁₆ "	19"	11"	7 ¹ / ₂ "	2 ¹ / ₂ "	309.9 lb.
LM-1NT-4-24	28 ¹¹ / ₁₆ " (72.9 cm)	10 ¹³ / ₁₆ " (27.5 cm)	81 ¹ / ₂ "	24 ¹³ / ₁₆ "	32"	24"	7 ¹ / ₂ "	2 ¹ / ₂ "	334.6 lb.
LM-1NT-4-30	28 ¹¹ / ₁₆ " (72.9 cm)	10 ¹³ / ₁₆ " (27.5 cm)	81 ¹ / ₂ "	24 ¹³ / ₁₆ "	38"	30"	7 ¹ / ₂ "	2 ¹ / ₂ "	352.6 lb.
LM-1NT-4-36	28 ¹¹ / ₁₆ " (72.9 cm)	10 ¹³ / ₁₆ " (27.5 cm)	81 ¹ / ₂ "	24 ¹³ / ₁₆ "	44"	36"	7 ¹ / ₂ "	2 ¹ / ₂ "	370.6 lb.
LM-1NT-6-11	27" (68.6cm)	10 ¹³ / ₁₆ " (27.5 cm)	81 ¹ / ₂ "	24 ¹³ / ₁₆ "	19"	11"	7 ¹ / ₄ "	2 ¹ / ₄ "	357.7 lb.
LM-1NT-6-24	27" (68.6cm)	10 ¹³ / ₁₆ " (27.5 cm)	81 ¹ / ₂ "	24 ¹³ / ₁₆ "	32"	24"	7 ¹ / ₄ "	2 ¹ / ₄ "	382.4 lb.
LM-1NT-6-30	27" (68.6cm)	10 ¹³ / ₁₆ " (27.5 cm)	81 ¹ / ₂ "	24 ¹³ / ₁₆ "	38"	30"	7 ¹ / ₄ "	2 ¹ / ₄ "	402.0 lb.
LM-1NT-6-36	27" (68.6cm)	10 ¹³ / ₁₆ " (27.5 cm)	81 ¹ / ₂ "	24 ¹³ / ₁₆ "	44"	36"	7 ¹ / ₄ "	2 ¹ / ₄ "	421.5 lb.
LM-1NT-8-24	30 ¹ / ₈ " (29.8 cm)	11 ³ / ₄ " (29.8 cm)	80 ¹ / ₈ "	23 ¹ / ₂ "	32"	24"	7 ¹ / ₄ "	2 ¹ / ₄ "	488.4 lb.
LM-1NT-8-30	30 ¹ / ₈ " (29.8 cm)	11 ³ / ₄ " (29.8 cm)	80 ¹ / ₈ "	23 ¹ / ₂ "	38"	30"	7 ¹ / ₄ "	2 ¹ / ₄ "	506.9 lb.
LM-1NT-8-36	30 ¹ / ₈ " (29.8 cm)	11 ³ / ₄ " (29.8 cm)	80 ¹ / ₈ "	23 ¹ / ₂ "	44"	36"	7 ¹ / ₄ "	2 ¹ / ₄ "	525.4 lb.

FIG. 2A: LM-OBT-3-24 & LM-OBT-4k Exploded View & Bill of Materials



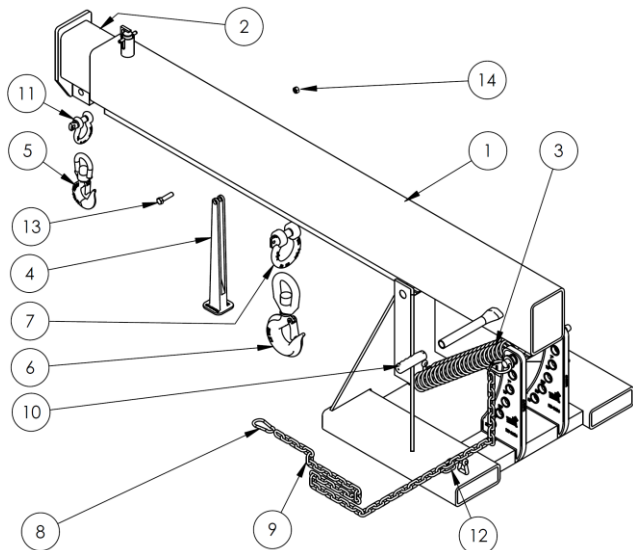
Item	Part No.	Description	Quantity
1	08-514-119	Weldment, frame, boom + base: LM-OBT-4k-24 & LM-OBT-3-24	1
	08-514-298	LM-OBT-4k-30	1
	08-514-299	LM-OBT-4k-36	1
2	08-514-293	Weldment, inner tube	1
3	01-146-006	Spring	1
4	08-014-069-001	Frame, front supporting leg (small) casting	1
5	08-145-001	Swivel hook, 2-ton	1
6	08-145-041	5/16" snap hook	1
7	08-145-010	1/2" 2-ton shackle	1
8	08-645-008	Boom chain and pin	1
9	13-025-023	1 1/8" i.d. red handle grip	1
10	99-645-019	2-ton hook and shackle	1
11	99-145-084	Lap link	1
12	11210	1/2" - 13UNC x 1 3/4" hex bolt	1
13	36110	1/2" - 13UNC zinc-plated hex nut	1

FIG. 2B: LM-OBT-6k Exploded View & Bill of Materials



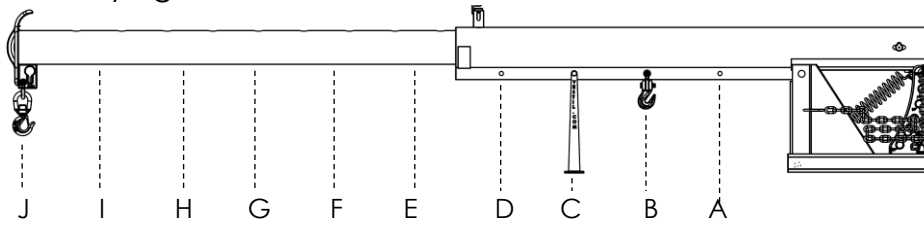
Item	Part No.	Description	Quantity
1	08-514-122	Weldment, frame, boom + base: LM-OBT-6k-24	1
	08-514-300	LM-OBT-6k-30	1
	08-514-301	LM-OBT-6k-36	1
2	08-514-293	Weldment, inner tube	1
3	01-146-006	Spring	1
4	08-014-069-001	Frame, front supporting leg (small) casting	1
5	08-145-001	Swivel hook, 2-ton	1
6	08-145-002	Swivel hook, 3-ton	1
7	08-145-041	5/16" snap hook	1
8	08-145-010	1/2" 2-ton shackle	1
9	08-645-008	Boom chain and pin	1
10	13-025-023	1 1/8" i.d. red handle grip	1
11	99-145-019	2-ton hook and shackle	1
12	99-145-084	Lap link	1
13	11210	1/2" - 13UNC x 1 3/4" hex bolt	1
14	36110	1/2" - 13UNC zinc-plated hex nut	1

FIG. 2C: LM-OBT-8k Exploded View & Bill of Materials (08-006-131)



Item	Part No.	Description	Quantity
1	08-514-125	Weldment, frame, boom + base: LM-OBT-8k-24	1
	08-514-311	LM-OBT-8k-30	1
	08-514-312	LM-OBT-8k-36	1
2	08-514-310	WELDMENT, INNER TUBE-8K	1
3	01-146-006	SPRING	2
4	08-014-069-001	FRAME, FRONT SUPPORT LEG (SMALL) CASTING	1
5	08-145-002	SPEC HDW, SWIVEL HOOK 3-TON	1
6	08-145-005	SPEC HDW, SWIVEL HOOK 5-TON	1
7	08-145-006	Ø 7/8 -6 1/2 TON SHACKLE	1
8	08-145-041	SNAP HOOK, Ø5/16	1
9	08-645-008	ASSEMBLY, BOOM CHAIN AND PIN	1
10	13-025-023	HANDLE, GRIP, 1 1/8" I.D., RED	1
11	99-145-019	SPECIALTY HARDWARE, SHACKLE	1
12	99-145-084	LAP LINK, 5/16" X 1 1/2"	1
13	11211	HEX BOLT, GR A, ZN FINISH, 1/2"-13 x 2"	1
14	37030	1/2"-13 NYLON INSERT LOCK NUT, GR 2	1

FIG. 2D: LM-OBT- 4k, 6k & 8k Centers of Gravity and Maximum Load Ratings for Varying Load Attachment Point and Boom Extension Combinations

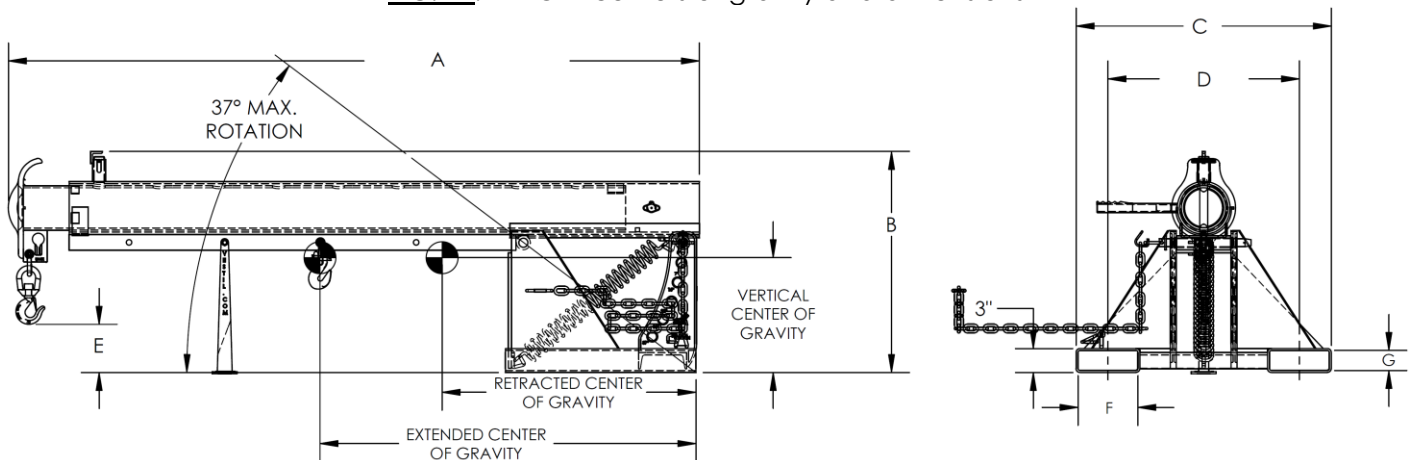


Hook position	A	B	C	D	E	F	G	H	I	J
Distance from mast end of boom	36" 91 cm	48" 122 cm	60" 152 cm	72" 183 cm	84" 213 cm	96" 244 cm	108" 274 cm	120" 305 cm	132" 335 cm	144" 366 cm
Maximum rated load of a load suspended from a single hook located at the corresponding "Hook position".										
LM-OBT-3-24	3000 lb. 1363 kg	2750 lb. 1250 kg	2500 lb. 1136 kg	2250 lb. 1022 kg	2000 lb. 909 kg	1750 lb. 795 kg	1500 lb. 681 kg	1250 lb. 568 kg	1000 lb. 454 kg	750 lb. 340 kg
LM-OBT-4k	4000 lb. 1820 kg	3750 lb. 1705 kg	3500 lb. 1590 kg	3250 lb. 1477 kg	3000 lb. 1363 kg	2750 lb. 1250 kg	2500 lb. 1136 kg	2250 lb. 1023 kg	2000 lb. 909 kg	1750 lb. 795 kg
LM-OBT-6k	6000 lb. 2727 kg	5000 lb. 2272 kg	4500 lb. 2045 kg	4000 lb. 1820 kg	3500 lb. 1590 kg	3000 lb. 1364 kg	2600 lb. 1182 kg	2300 lb. 1045 kg	2000 lb. 909 kg	1800 lb. 818 kg
LM-OBT-8k	8000 lb. 3636 kg	6650 lb. 3022 kg	6000 lb. 2727 kg	5300 lb. 2409 kg	4650 lb. 2113 kg	4000 lb. 1820 kg	3500 lb. 1590 kg	3000 lb. 1363 kg	2600 lb. 1181 kg	2200 lb. 1000 kg

The center of gravity of the boom changes as boom length changes. As shown in the diagram below, the horizontal center of gravity may be located at any point from RHCG to EHCg:

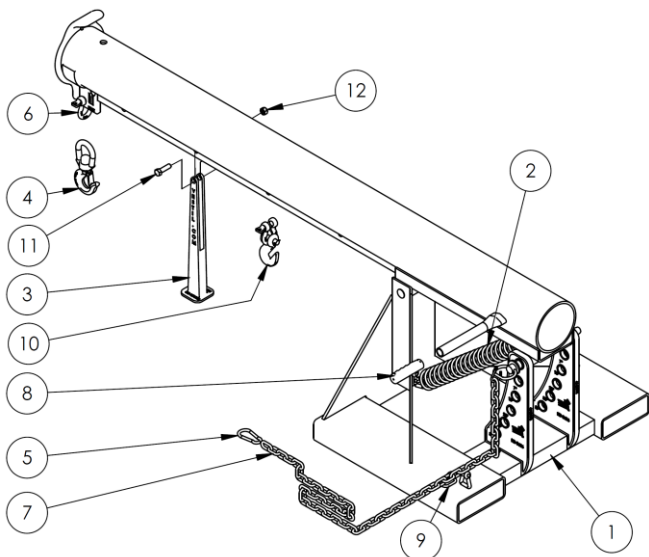
- **Retracted horizontal center of gravity (RHCG):** boom fully retracted and unloaded. RHCG is measured from the "origin point" of the above diagram (edges of the fork pockets);
- **Extended horizontal center of gravity (EHCg):** boom fully extended and unloaded. EHCg is also measured from the "origin point" of the above diagram (edges of the fork pockets);
- All other combinations of boom extension and load position produce a horizontal center of gravity located somewhere between RHCG and EHCg.

FIG. 2E: LM-OBT centers of gravity and dimensions



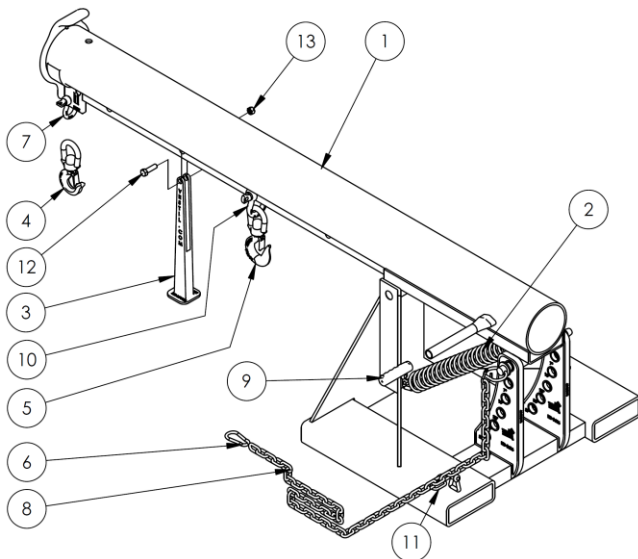
Model	Extended horizontal center of gravity	Retracted horizontal center of gravity	Vertical center of gravity	A	B	C	D	E	F	G	Net weight
LM-OBT-3-24	47" (119.4 cm)	32 ³ / ₈ " (82.2 cm)	14 ⁵ / ₁₆ " (36.4 cm)	86 ⁵ / ₈ "-146 ⁵ / ₈ "	27 ¹ / ₁₆ "	32"	24"	6"	7 ¹ / ₂ "	2 ¹ / ₂ "	436.7 lb.
LM-OBT-4-24	47" (119.4 cm)	32 ³ / ₈ " (82.2 cm)	14 ⁵ / ₁₆ " (36.4 cm)	86 ⁵ / ₈ "-146 ⁵ / ₈ "	27 ¹ / ₁₆ "	32"	24"	6"	7 ¹ / ₂ "	2 ¹ / ₂ "	433.9 lb.
LM-OBT-4-30	45 ¹³ / ₁₆ " (116.4 cm)	31 ³ / ₄ " (80.6 cm)	13 ¹⁵ / ₁₆ " (35.4 cm)	86 ⁵ / ₈ "-146 ⁵ / ₈ "	27 ¹ / ₁₆ "	38"	30"	6"	7 ¹ / ₂ "	2 ¹ / ₂ "	451.5 lb.
LM-OBT-4-36	44 ¹ / ₁₆ " (113.5 cm)	31 ¹ / ₁₆ " (79.2 cm)	13 ¹ / ₁₆ " (34.8 cm)	86 ⁵ / ₈ "-146 ⁵ / ₈ "	27 ¹ / ₁₆ "	44"	36"	6"	7 ¹ / ₂ "	2 ¹ / ₂ "	469.1 lb.
LM-OBT-6-24	44 ¹ / ₁₆ " (112 cm)	30 ¹⁵ / ₁₆ " (78.6 cm)	13 ⁵ / ₁₆ " (33.8 cm)	86 ⁵ / ₈ "-146 ⁵ / ₈ "	27 ¹ / ₁₆ "	32"	24"	6"	7 ¹ / ₄ "	2 ¹ / ₄ "	481.9 lb.
LM-OBT-6-30	43" (109.2 cm)	30 ³ / ₈ " (77.2 cm)	13 ¹ / ₁₆ " (33.2 cm)	86 ⁵ / ₈ "-146 ⁵ / ₈ "	27 ¹ / ₁₆ "	38"	30"	6"	7 ¹ / ₄ "	2 ¹ / ₄ "	501.1 lb.
LM-OBT-6-36	42" (106.7 cm)	29 ¹³ / ₁₆ " (75.7 cm)	12 ¹³ / ₁₆ " (32.5 cm)	86 ⁵ / ₈ "-146 ⁵ / ₈ "	27 ¹ / ₁₆ "	44"	36"	6"	7 ¹ / ₄ "	2 ¹ / ₄ "	520.3 lb.
LM-OBT-8-24	51 ¹ / ₁₆ " (131.3 cm)	35" (88.9 cm)	15 ¹ / ₄ " (38.7 cm)	85 ¹ / ₄ "-145 ¹ / ₄ "	28 ⁷ / ₈ "	32"	24"	5 ¹ / ₈ "	7 ¹ / ₄ "	2 ¹ / ₄ "	665.0 lb.
LM-OBT-8-30	51 ¹ / ₁₆ " (131.3 cm)	35" (88.9 cm)	15 ¹ / ₄ " (38.7 cm)	85 ¹ / ₄ "-145 ¹ / ₄ "	28 ⁷ / ₈ "	38"	30"	5 ¹ / ₈ "	7 ¹ / ₄ "	2 ¹ / ₄ "	684.1 lb.
LM-OBT-8-36	51 ¹ / ₁₆ " (131.3 cm)	35" (88.9 cm)	15 ¹ / ₄ " (38.7 cm)	85 ¹ / ₄ "-145 ¹ / ₄ "	28 ⁷ / ₈ "	44"	36"	5 ¹ / ₈ "	7 ¹ / ₄ "	2 ¹ / ₄ "	703.3 lb.

FIG. 2F: LM-OBNT-4k Exploded View & Bill of Materials



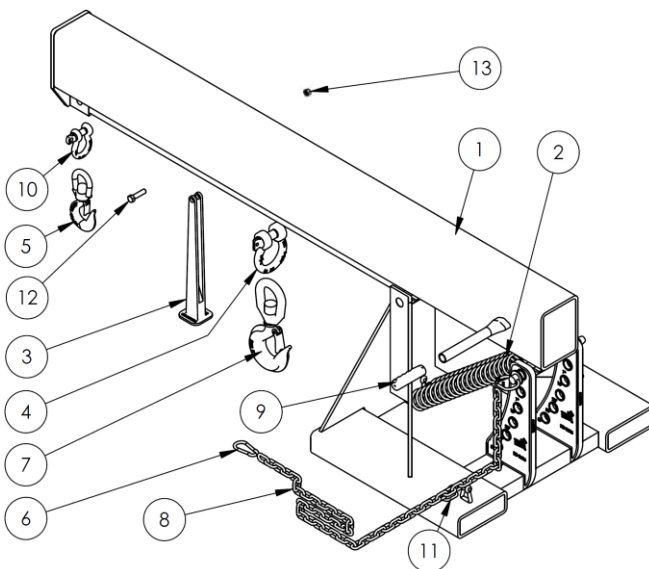
Item	Part No.	Description	Quantity
1	08-514-132	Weldment, frame, boom + base	1
	08-514-302	LM-OBNT-4-24	1
	08-514-303	LM-OBNT-4-30	1
	08-514-303	LM-OBNT-4-36	1
2	01-146-006	Spring	1
3	08-014-069-001	Frame, front support leg (small) casting	1
4	08-145-001	Swivel hook, 2-ton	1
5	08-145-041	5/16" snap hook	1
6	08-145-010	1/2" 2-ton shackle	1
7	08-645-008	Assembly, boom chain and pin	1
8	13-025-023	1 1/8" inner diameter red handle grip	1
9	99-145-084	Lap link	1
10	99-645-019	2-ton hook and shackle	1
11	11210	1/2" - 13UNC x 1 3/4" hex bolt	1
12	36110	1/2" - 13 zinc-plated hex nut	1

FIG. 2G: LM-OBNT-6k Exploded View & Bill of Materials



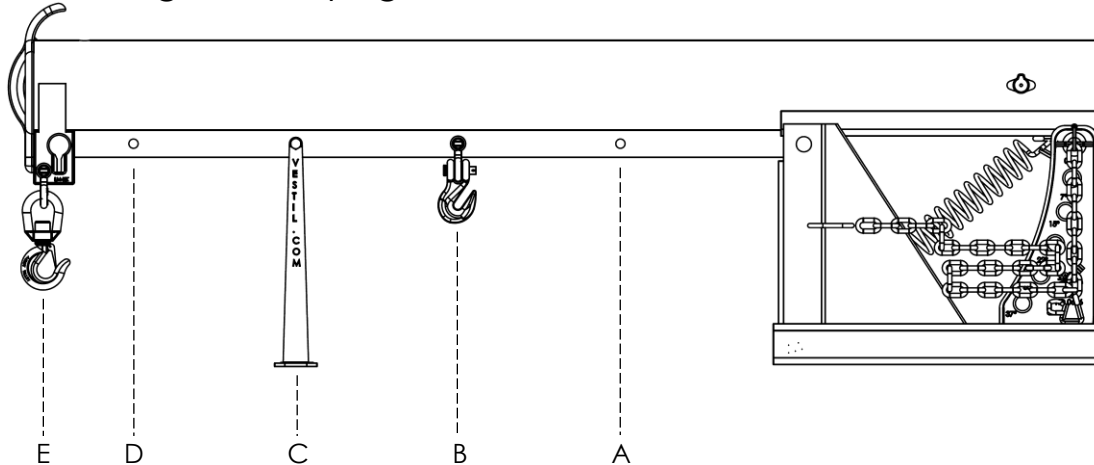
Item	Part No.	Description	Quantity
1	08-514-134	Weldment, frame, boom + base	1
	08-514-304	LM-OBNT-6-24	1
	08-514-305	LM-OBNT-6-30	1
	08-514-305	LM-OBNT-6-36	1
2	01-146-006	Spring	1
3	08-014-069-001	Frame, front support leg (small) casting	1
4	08-145-001	Swivel hook, 2-ton	1
5	08-145-002	Swivel hook, 3-ton	1
6	08-145-041	5/16" snap hook	1
7	08-145-010	1/2" 2-ton shackle	1
8	08-645-008	Assembly, boom chain and pin	1
9	13-025-023	1 1/8" inner diameter red handle grip	1
10	99-145-019	5/8" 3 1/4-ton shackle	1
11	99-145-084	Lap link	1
12	11210	1/2" - 13UNC x 1 3/4" hex bolt	1
13	36110	1/2" - 13 zinc-plated hex nut	1

FIG. 2H: LM-OBNT-8k Exploded View & Bill of Materials



Item	Part No.	Description	Quantity
1	08-514-136	Weldment, frame, boom + base	1
	08-514-308	LM-OBNT-8-24	1
	08-514-309	LM-OBNT-8-30	1
	08-514-309	LM-OBNT-8-36	1
2	01-146-006	Spring	2
3	08-014-069-001	Frame, front support leg (small) casting	1
4	08-145-006	7/8" 6 1/2-ton shackle	1
5	08-145-002	Swivel hook, 3-ton	1
6	08-145-041	5/16" snap hook	1
7	08-145-005	Swivel hook, 5-ton	1
8	08-645-008	Assembly, boom chain and pin	1
9	13-025-023	1 1/8" inner diameter red handle grip	1
10	99-145-019	5/8" 3 1/4-ton shackle	1
11	99-145-084	Lap link	1
12	11211	1/2" - 13UNC x 2" hex bolt	1
13	36110	1/2" - 13 zinc-plated hex nut	1

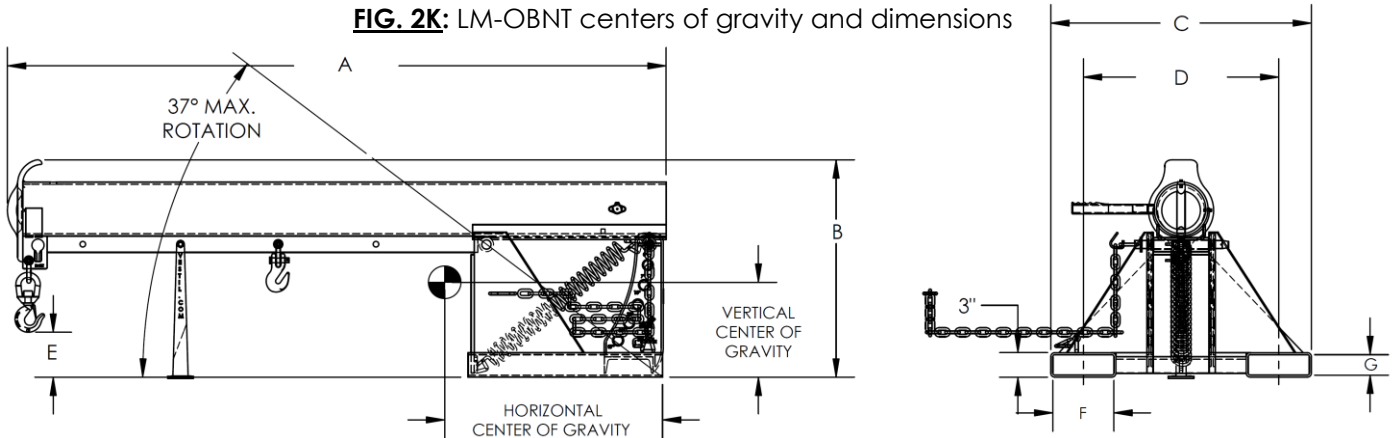
FIG. 2J: LM-OBNT- 4k, 6k & 8k Centers of Gravity and Maximum Load Ratings for Varying Load Attachment Points



Hook position	A	B	C	D	E
Distance from end of boom in inches (cm)	36" 91 cm	48" 122 cm	60" 152 cm	72" 183 cm	78" 198 cm
Maximum rated load of a load suspended from a single hook located at the corresponding "Hook position".					
LM-OBNT-4k	4000 lb. 1820 kg	3750 lb. 1705 kg	3500 lb. 1590 kg	3250 lb. 1477 kg	3000 lb. 1363 kg
LM-OBNT-6k	6000 lb. 2727 kg	5000 lb. 2272 kg	4500 lb. 2045 kg	4000 lb. 1820 kg	3500 lb. 1590 kg
LM-OBNT-8k	8000 lb. 3636 kg	6650 lb. 3022 kg	6000 lb. 2727 kg	5300 lb. 2409 kg	4850 lb. 2205 kg

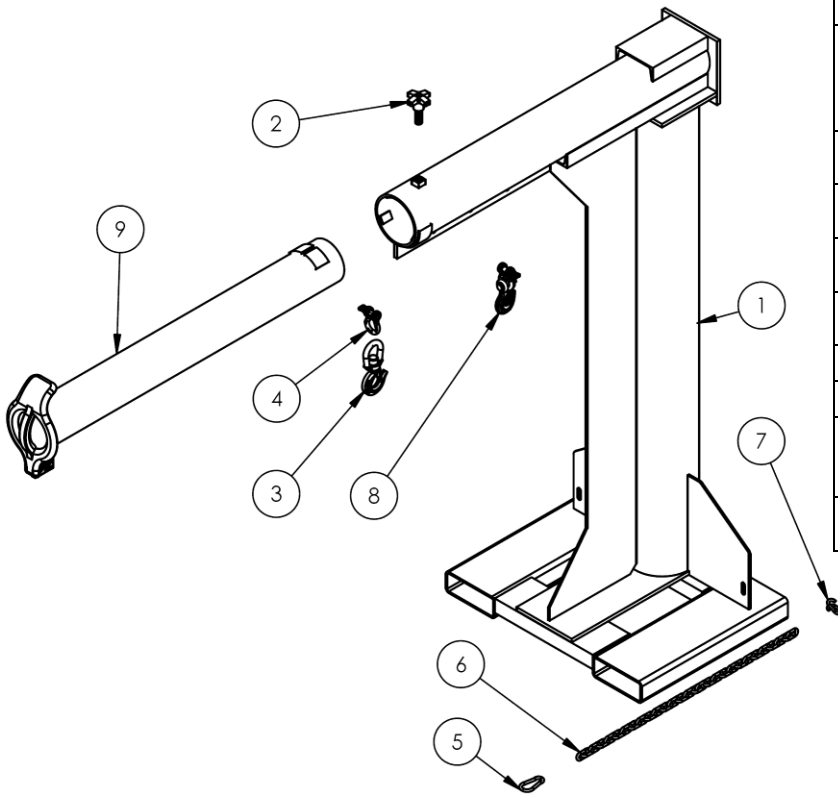
Center of gravity has both a horizontal component and a vertical component. The vertical center of gravity (VCG) lies along a horizontal line above the bottom edges of the fork pockets. Similarly, the horizontal center of gravity (HCG) is located along a vertical line as shown in the diagram below.

FIG. 2K: LM-OBNT centers of gravity and dimensions



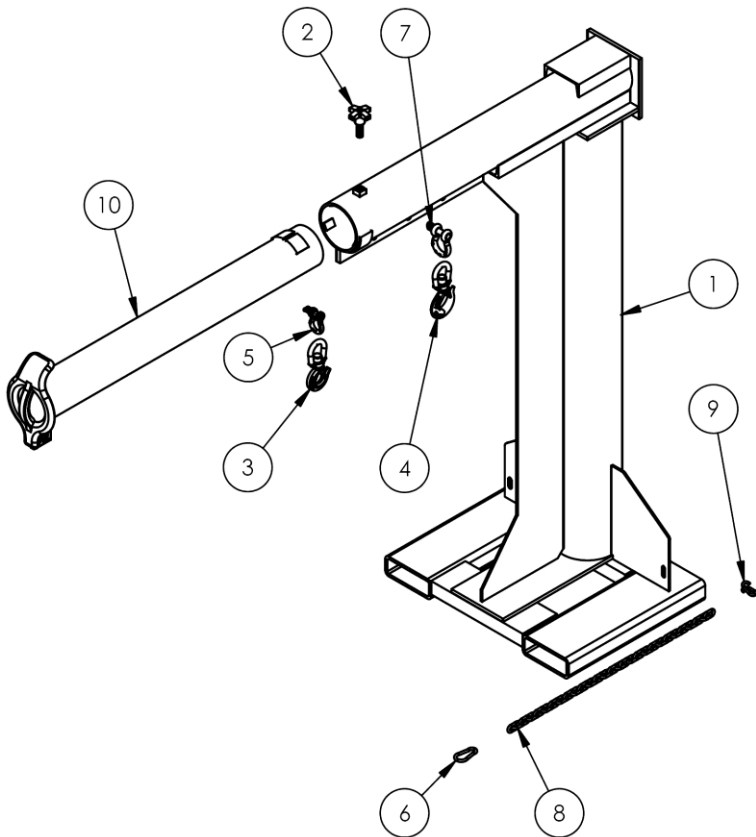
Model	Horizontal center of gravity	Vertical center of gravity	A	B	C	D	E	F	G	Net weight
LM-1NT-4-24	26 ³ / ₄ " (67.9 cm)	11 ⁵ / ₈ " (29.5 cm)	80 ⁷ / ₈ "	26 ⁵ / ₈ "	32"	24"	5 ¹ / ₂ "	7 ¹ / ₂ "	2 ¹ / ₂ "	339.2 lb.
LM-1NT-4-30	26 ³ / ₄ " (67.9 cm)	11 ⁵ / ₈ " (29.5 cm)	80 ⁷ / ₈ "	26 ⁵ / ₈ "	38"	30"	5 ¹ / ₂ "	7 ¹ / ₂ "	2 ¹ / ₂ "	356.9 lb.
LM-1NT-4-36	26 ³ / ₄ " (67.9 cm)	11 ⁵ / ₈ " (29.5 cm)	80 ⁷ / ₈ "	26 ⁵ / ₈ "	44"	36"	5 ¹ / ₂ "	7 ¹ / ₂ "	2 ¹ / ₂ "	374.4 lb.
LM-1NT-6-24	26 ³ / ₄ " (67.9 cm)	11 ⁵ / ₈ " (29.5 cm)	80 ⁷ / ₈ "	26 ⁵ / ₈ "	32"	24"	5 ¹ / ₂ "	7 ¹ / ₄ "	2 ¹ / ₄ "	387.0 lb.
LM-1NT-6-30	26 ³ / ₄ " (67.9 cm)	11 ⁵ / ₈ " (29.5 cm)	80 ⁷ / ₈ "	26 ⁵ / ₈ "	38"	30"	5 ¹ / ₂ "	7 ¹ / ₄ "	2 ¹ / ₄ "	406.2 lb.
LM-1NT-6-36	26 ³ / ₄ " (67.9 cm)	11 ⁵ / ₈ " (29.5 cm)	80 ⁷ / ₈ "	26 ⁵ / ₈ "	44"	36"	5 ¹ / ₂ "	7 ¹ / ₄ "	2 ¹ / ₄ "	425.4 lb.
LM-1NT-8-24	30 ¹ / ₄ " (76.8 cm)	13 ³ / ₁₆ " (33.5 cm)	79 ¹ / ₂ "	25 ¹ / ₈ "	32"	24"	4 ¹¹ / ₁₆ "	7 ¹ / ₄ "	2 ¹ / ₄ "	490.9 lb.
LM-1NT-8-30	30 ¹ / ₄ " (76.8 cm)	13 ³ / ₁₆ " (33.5 cm)	79 ¹ / ₂ "	25 ¹ / ₈ "	38"	30"	4 ¹¹ / ₁₆ "	7 ¹ / ₄ "	2 ¹ / ₄ "	510.0 lb.
LM-1NT-8-36	30 ¹ / ₄ " (76.8 cm)	13 ³ / ₁₆ " (33.5 cm)	79 ¹ / ₂ "	25 ¹ / ₈ "	44"	36"	4 ¹¹ / ₁₆ "	7 ¹ / ₄ "	2 ¹ / ₄ "	521.2 lb.

FIG. 3A: LM-HRT-4k Exploded View & Bill of Materials (08-006-005)



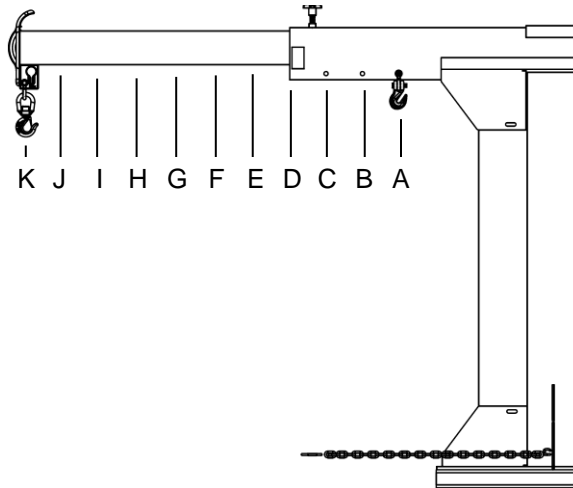
Item	Part No.	Description	Quantity
1	08-514-005	Assembly, frame, boom	1
	08-514-337	LM-HRT-4-24	1
	08-514-339	LM-HRT-4-36	1
2	08-025-004	X-HANDLE, LOCKING BOLT	1
3	08-145-001	SPEC HDW, SWIVEL HOOK 2-TON	1
4	08-145-010	SPECIALTY HARDWARE, Ø1/2"-2 TON SHACKLE	1
5	08-145-041	SPECIALTY HARDWARE, SNAP HOOK, Ø5/16	1
6	99-145-037	Ø 5/16" CHAIN 36"	1
7	99-145-084	LAP LINK, 5/16"X1 1/2"	1
8	99-645-019	ASSEMBLY, SPECIALTY HARDWARE, 2 TON HOOK & SHACKLE	1
9	08-514-278	WELDMENT, INNER TUBE, SHORTY	1

FIG. 3B: LM-HRT-6k Exploded View & Bill of Materials (08-006-006)



Item	Part No.	Description	Quantity
1		WELDMENT, FRAME, BOOM 6K	
	08-514-006	LM-HRT-6-24	1
	08-514-338	LM-HRT-6-30	1
	08-514-340	LM-HRT-6-36	1
2	08-025-004	X-HANDLE, LOCKING BOLT	1
3	08-145-001	SPEC HDW, SWIVEL HOOK 2-TON	1
4	08-145-002	SPEC HDW, SWIVEL HOOK 3-TON	1
5	08-145-010	SPECIALTY HARDWARE, Ø1/2"-2 TON SHACKLE	1
6	08-145-041	SPECIALTY HARDWARE, SNAP HOOK, Ø5/16	1
7	99-145-019	SPECIALTY HARDWARE, SHACKLE	1
8	99-145-037	Ø 5/16" CHAIN 36"	1
9	99-145-084	LAP LINK, 5/16" X 1 1/2"	1
10	08-514-278	WELDMENT, INNER TUBE, SHORTY	1

FIG. 3C: LM-HRT- 4k & 6k Centers of Gravity and Maximum Load Ratings for Varying Load Attachment Point and Boom Extension

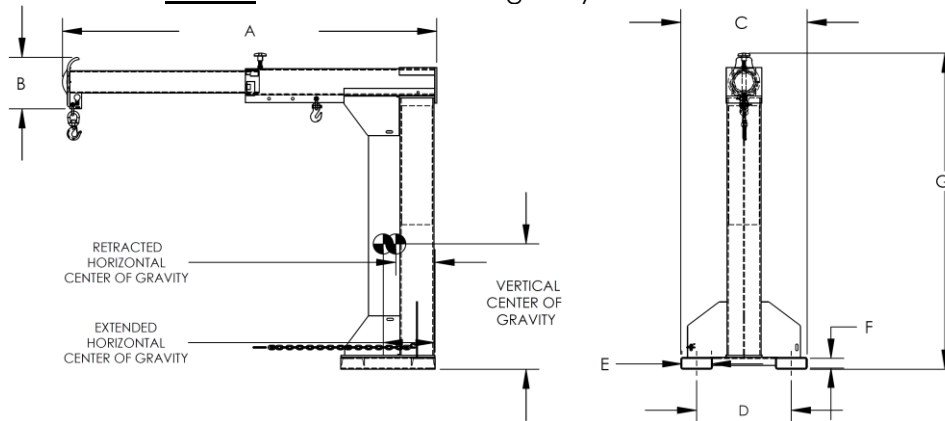


Hook position	A	B	C	D	E	F	G	H	I	J	K
Distance from end of boom	30" 76 cm	36" 91 cm	42" 107 cm	48" 122 cm	54" 137 cm	60" 152 cm	66" 168 cm	72" 183 cm	78" 198 cm	84" 213 cm	90" 229 cm
Maximum rated load of a load suspended from a single hook located at the corresponding "Hook position".											
LM-HRT-4-24	4000 lb. 1820 kg	3750 lb. 1705 kg	3500 lb. 1590 kg	3250 lb. 1477 kg	3000 lb. 1363 kg	2750 lb. 1250 kg	2500 lb. 1136 kg	2250 lb. 1022 kg	2000 lb. 909 kg	1750 lb. 796 kg	1500 lb. 682 kg
LM-HRT-6-24	6000 lb. 2727 kg	5000 lb. 2273 kg	4500 lb. 2046 kg	4000 lb. 1818 kg	3500 lb. 1591 kg	3000 lb. 1363 kg	2600 lb. 1182 kg	2300 lb. 1046 kg	2000 lb. 909 kg	1800 lb. 818 kg	1550 lb. 705 kg

The center of gravity of the boom changes as boom length changes. As shown in the diagram below, the horizontal center of gravity may be located at any point from RHCG to EHCG:

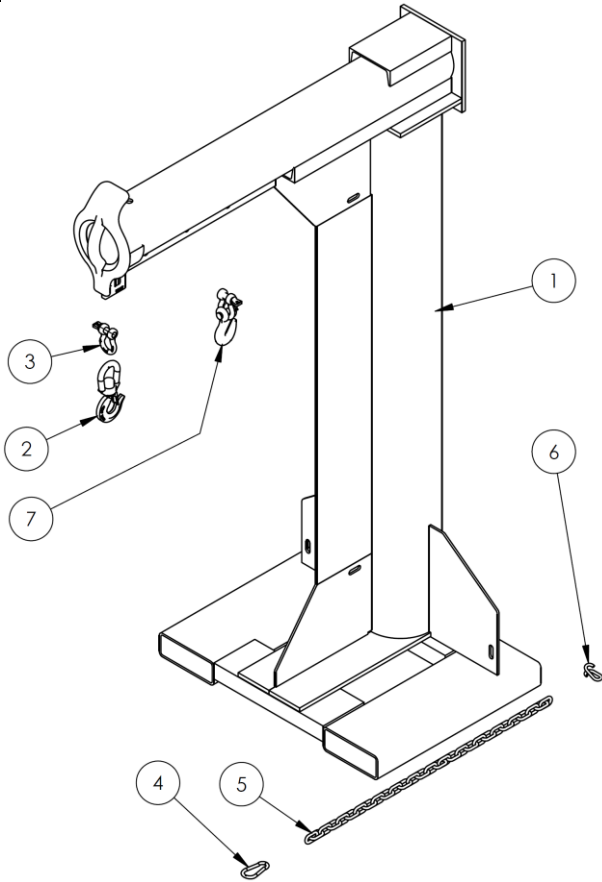
- **Retracted horizontal center of gravity (RHCG):** boom fully *retracted and unloaded*. RHCG is measured from the "origin point" of the above diagram (edges of the fork pockets);
- **Extended horizontal center of gravity (EHCG):** boom fully *extended and unloaded*. EHCG is also measured from the "origin point" of the above diagram (edges of the fork pockets);
- All other combinations of boom extension and load position produce a horizontal center of gravity located somewhere between RHCG and EHCG.

FIG. 3D: LM-HRT centers of gravity and dimensions



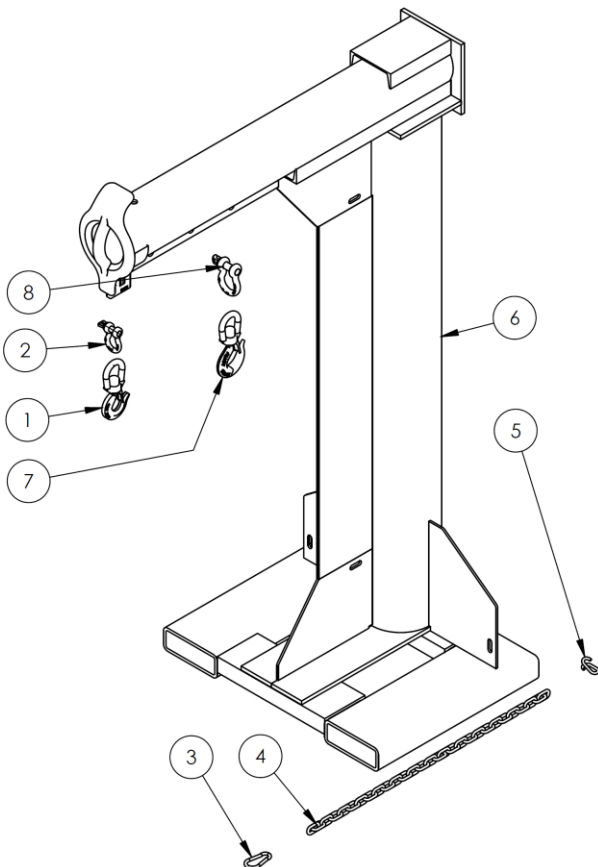
Model	Extended horizontal center of gravity	Retracted horizontal center of gravity	Vertical center of gravity	A	B	C	D	E	F	G	Net weight
LM-HRT-4-24	13 ³ / ₁₆ " (33.5 cm)	10" (25.4 cm)	38 ¹¹ / ₁₆ " (98.3 cm)	54 ⁷ / ₈ "-94 ⁷ / ₈ "	13"	32"	24"	7 ¹ / ₂ "	2 ¹ / ₂ "	79 ¹³ / ₁₆ "	943.7 lb.
LM-HRT-4-30	13 ¹ / ₈ " (33.3 cm)	10 ¹ / ₄ " (26 cm)	37 ⁵ / ₁₆ " (94.8 cm)	54 ⁷ / ₈ "-94 ⁷ / ₈ "	13"	38"	30"	7 ¹ / ₂ "	2 ¹ / ₂ "	79 ¹³ / ₁₆ "	958.9 lb.
LM-HRT-4-36	13 ¹ / ₁₆ " (33.2 cm)	10 ¹ / ₄ " (26 cm)	36 ¹³ / ₁₆ " (93.5 cm)	54 ⁷ / ₈ "-94 ⁷ / ₈ "	13"	44"	36"	7 ¹ / ₂ "	2 ¹ / ₂ "	79 ¹³ / ₁₆ "	974.1 lb.
LM-HRT-6-24	13 ³ / ₁₆ " (33.5 cm)	10 ³ / ₈ " (26.4 cm)	36 ¹³ / ₁₆ " (93.5 cm)	54 ⁷ / ₈ "-94 ⁷ / ₈ "	13"	32"	24"	7 ¹ / ₄ "	2 ¹ / ₄ "	79 ¹³ / ₁₆ "	978.2 lb.
LM-HRT-6-30	13 ¹ / ₈ " (33.3 cm)	10 ³ / ₈ " (26.4 cm)	36 ⁵ / ₁₆ " (92.3 cm)	54 ⁷ / ₈ "-94 ⁷ / ₈ "	13"	38"	30"	7 ¹ / ₄ "	2 ¹ / ₄ "	79 ¹³ / ₁₆ "	993.4 lb.
LM-HRT-6-36	13 ¹ / ₈ " (33.3 cm)	10 ³ / ₈ " (26.4 cm)	35 ¹³ / ₁₆ " (91 cm)	54 ⁷ / ₈ "-94 ⁷ / ₈ "	13"	44"	36"	7 ¹ / ₄ "	2 ¹ / ₄ "	79 ¹³ / ₁₆ "	1008.6 lb.

FIG. 3E: LM-HRNT-4k Exploded View & Bill of Materials



Item	Part No.	Description	Quantity
1	08-514-007	Frame, boom + base weldment:	1
	08-514-341	LM-HRNT-4-24	1
	08-514-343	LM-HRNT-4-36	1
2	08-145-001	2-ton hook	1
3	08-145-010	Specialty hardware: 2-ton shackle	1
4	08-145-041	5/16in. snap hook	1
5	99-145-037	5/16in. x 36in. chain	1
6	99-145-084	Lap link	1
7	99-645-019	2-ton hook and shackle	1

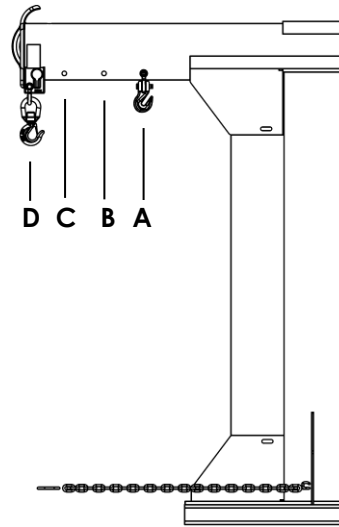
FIG. 3F: LM-HRNT-6k Exploded View & Bill of Materials



Item	Part No.	Description	Quantity
1	08-145-001	Swivel hook, 2-ton	1
2	08-145-010	1/2" 2-ton shackle	1
3	08-145-041	5/16" snap hook	1
4	99-145-037	5/16" chain 36" long	1
5	99-145-084	Lap Link	1
6	08-514-008	Frame, boom + base weldment:	1
	08-514-342	LM-HRNT-6-24	1
	08-514-344	LM-HRNT-6-36	1
7	08-145-002	Swivel hook, 3-ton	1
8	99-145-019	5/8" 3 1/4-ton shackle	1

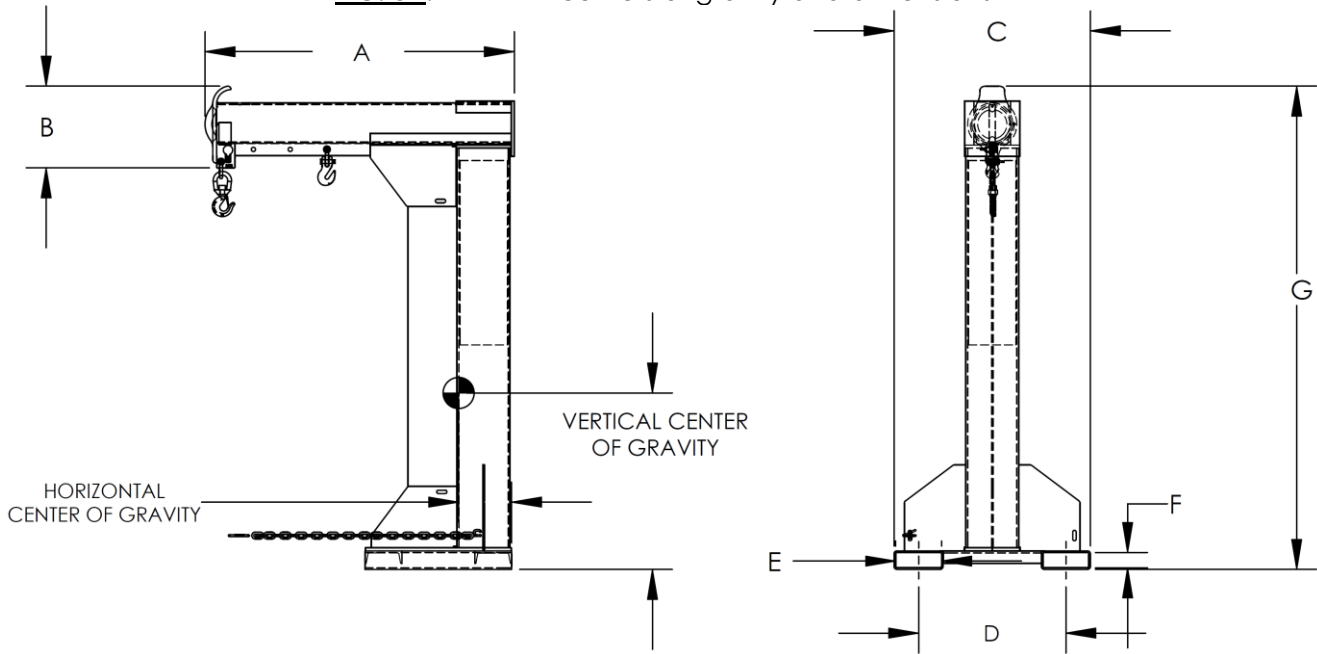
FIG. 3G: LM-HRNT- 4k & 6k Centers of Gravity and Maximum Load Ratings for Varying Load Attachment Points

Hook position	A	B	C	D
Distance from end of boom in inches (cm)	30" 76 cm	36" 91 cm	42" 107 cm	48" 122 cm
Maximum rated load in pounds (kg) of a load suspended from a single hook located at the corresponding "Hook position".				
LM-HRNT-4k	4000 lb. 1820 kg	3750 lb. 1705 kg	3500 lb. 1590 kg	3250 lb. 1477 kg
LM-HRNT-6k	6000 lb. 2727 kg	5000 lb. 2045 kg	4500 lb. 1727 kg	4000 lb. 1363 kg



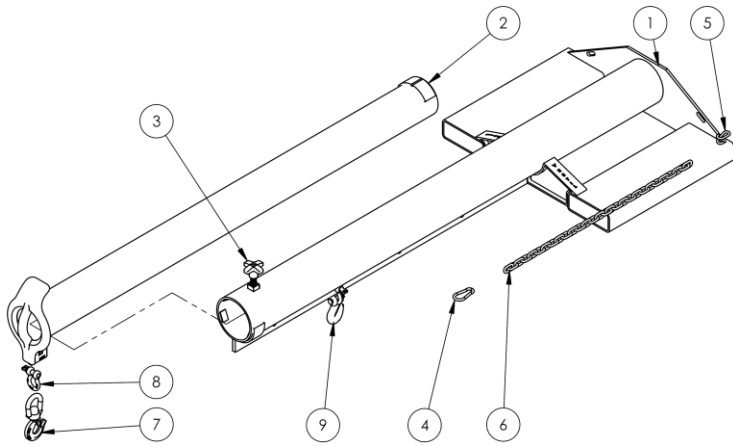
Center of gravity has both a horizontal component and a vertical component. The *vertical* center of gravity (VCG) lies along a line 38 inches (~97 cm) from the bottom edges of the fork pockets. Similarly, the *horizontal* center of gravity (HCG) is located 8 inches (~20cm) from the front edge of the vertical support.

FIG. 3H: LM-HRNT centers of gravity and dimensions



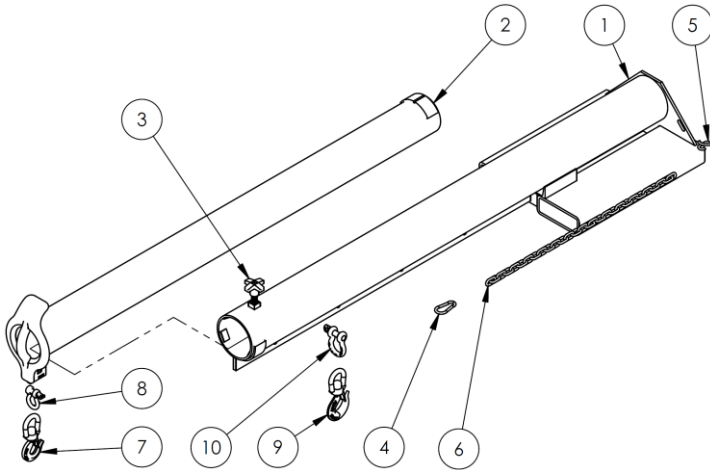
Model	Horizontal center of gravity	Vertical center of gravity	A	B	C	D	E	F	G	Net weight
LM-HRNT-4-24	8 ⁵ / ₈ " (21.9 cm)	28 ¹¹ / ₁₆ " (72.9 cm)	50 ³ / ₈ "	13 ¹ / ₄ "	32"	24"	7 ¹ / ₂ "	2 ¹ / ₂ "	78 ⁹ / ₁₆ "	882.3 lb.
LM-HRNT-4-30	8 ⁵ / ₈ " (21.9 cm)	28 ¹¹ / ₁₆ " (72.9 cm)	50 ³ / ₈ "	13 ¹ / ₄ "	38"	30"	7 ¹ / ₂ "	2 ¹ / ₂ "	78 ⁹ / ₁₆ "	897.5 lb.
LM-HRNT-4-36	8 ⁵ / ₈ " (21.9 cm)	28 ¹¹ / ₁₆ " (72.9 cm)	50 ³ / ₈ "	13 ¹ / ₄ "	44"	36"	7 ¹ / ₂ "	2 ¹ / ₂ "	78 ⁹ / ₁₆ "	912.7 lb.
LM-HRNT-6-24	8 ¹³ / ₁₆ " (22.4 cm)	27 ⁷ / ₈ " (68.9 cm)	50 ³ / ₈ "	13 ¹ / ₄ "	32"	24"	7 ¹ / ₄ "	2 ¹ / ₄ "	78 ⁹ / ₁₆ "	916.6 lb.
LM-HRNT-6-30	8 ¹³ / ₁₆ " (22.4 cm)	27 ⁷ / ₈ " (68.9 cm)	50 ³ / ₈ "	13 ¹ / ₄ "	38"	30"	7 ¹ / ₄ "	2 ¹ / ₄ "	78 ⁹ / ₁₆ "	931.8 lb.
LM-HRNT-6-36	8 ¹³ / ₁₆ " (22.4 cm)	27 ⁷ / ₈ " (68.9 cm)	50 ³ / ₈ "	13 ¹ / ₄ "	44"	36"	7 ¹ / ₄ "	2 ¹ / ₄ "	78 ⁹ / ₁₆ "	947.0 lb.

FIG. 4A: LM-EBT-4k Exploded View & Bill of Materials



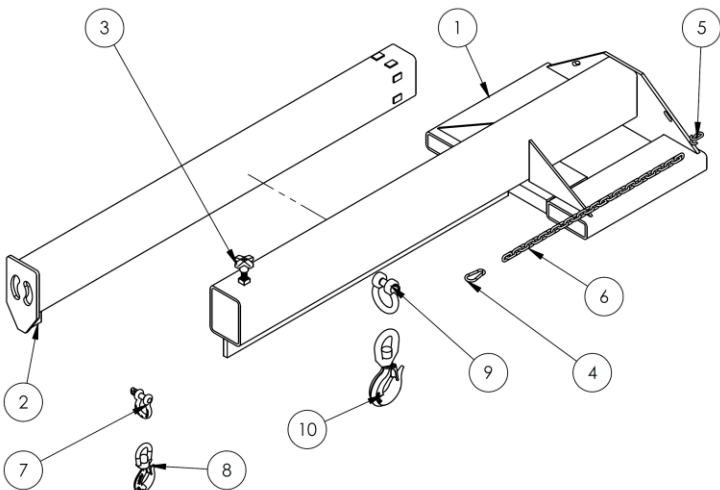
Item	Part No.	Description	Quantity
1	08-514-169	Weldment, frame, base:	
	LM-EBT-4-11		1
	08-514-263	LM-EBT-4-24	1
	08-514-170	LM-EBT-4-30	1
	08-514-171	LM-EBT-4-36	1
2	08-514-261	Weldment, inner tube/boom:	1
3	08-025-004	X-handle, locking bolt	1
4	08-145-041	5/16" snap hook	1
5	99-145-084	Lap link	1
6	99-145-037	5/16" chain 36" long	1
7	08-145-001	Swivel hook, 2-ton	1
8	08-145-010	1/2" 2-ton shackle	1
9	99-645-019	2-ton hook-and-shackle	1

FIG. 4B: LM-EBT-6k Exploded View & Bill of Materials



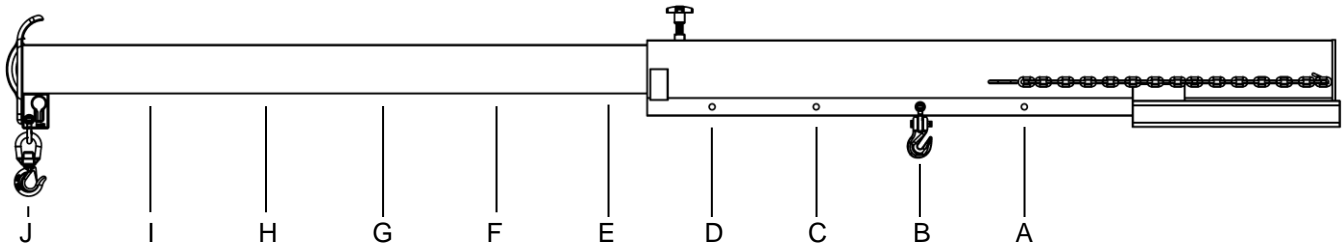
Item	Part No.	Description	Quantity
1	08-514-172	Weldment, frame, base:	
	LM-EBT-6-11		1
	08-514-265	LM-EBT-6-24	1
	08-514-173	LM-EBT-6-30	1
	08-514-174	LM-EBT-6-36	1
2	08-514-261	Weldment, inner tube/boom:	1
3	08-025-004	X-handle, locking bolt	1
4	08-145-041	5/16" snap hook	1
5	99-145-084	Lap link	1
6	99-145-037	5/16" chain 36" long	1
7	08-145-001	Swivel hook, 2-ton	1
8	08-145-010	1/2" 2-ton shackle	1
9	08-145-002	Swivel hook, 3-ton	1
10	99-145-019	5/8" 3 1/4-ton shackle	1

FIG. 4C: LM-EBT-8k Exploded View & Bill of Materials



Item	Part No.	Description	Quantity
1	08-514-274	Weldment, frame, base:	
	LM-EBT-8-24		1
	08-514-281	LM-EBT-8-30	1
	08-514-282	LM-EBT-8-36	1
2	08-514-272	Weldment, inner tube/boom:	1
3	08-025-004	X-handle, locking bolt	1
4	08-145-041	5/16" snap hook	1
5	99-145-084	Lap link	1
6	99-145-037	5/16" chain 36" long	1
7	99-145-019	5/8" 3 1/4-ton shackle	1
8	08-145-002	Swivel hook, 3-ton	1
9	08-145-006	7/8" 6 1/2-ton shackle	1
10	08-145-005	Swivel hook, 5-ton	1

FIG. 4D: LM-EBT – 4k, 6k & 8k Centers of Gravity and Maximum Load Ratings for Varying Load Attachment Point and Boom Extension Combinations

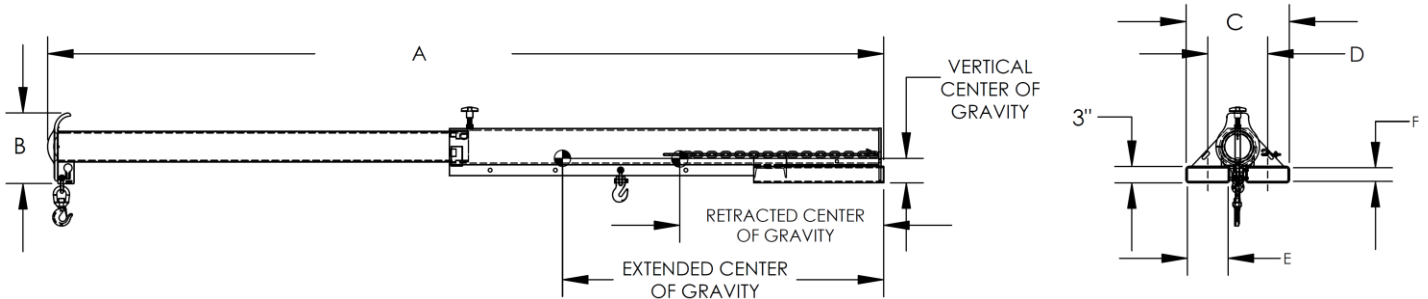


Hook position	A	B	C	D	E	F	G	H	I	J
Distance from end of boom in inches (cm)	36" 91 cm	48" 122 cm	60" 152 cm	72" 183 cm	84" 213 cm	96" 244 cm	108" 274 cm	120" 305 cm	132" 335 cm	144" 366 cm
Maximum rated load of a load suspended from a single hook located at the corresponding "Hook position".										
LM-EBT-4k	4000 lb. 1820 kg	3750 lb. 1705 kg	3500 lb. 1590 kg	3250 lb. 1477 kg	3000 lb. 1363 kg	2750 lb. 1250 kg	2500 lb. 1136 kg	2250 lb. 1022 kg	2000 lb. 909 kg	1750 lb. 796 kg
LM-EBT-6k	6000 lb. 2727 kg	5000 lb. 2273 kg	4500 lb. 2046 kg	4000 lb. 1818 kg	3500 lb. 1591 kg	3000 lb. 1363 kg	2600 lb. 1182 kg	2300 lb. 1046 kg	2000 lb. 909 kg	1800 lb. 818 kg
LM-EBT-8k	8000 lb. 3636 kg	6650 lb. 3022 kg	6000 lb. 2727 kg	5300 lb. 2409 kg	4650 lb. 2113 kg	4000 lb. 1820 kg	3500 lb. 1590 kg	3000 lb. 1363 kg	2600 lb. 1181 kg	2200 lb. 1000 kg

The center of gravity of the boom changes as boom length changes. As shown in the diagram below, the horizontal center of gravity may be located at any point from RHCG to EHCg:

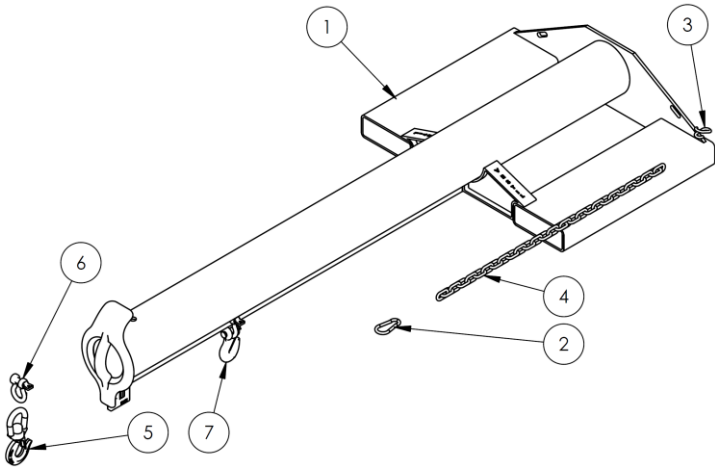
- Retracted horizontal center of gravity (RHCG): boom fully retracted and unloaded. RHCG is measured from the "origin point" of the above diagram (edges of the fork pockets);
- Extended horizontal center of gravity (EHCg): boom fully extended and unloaded. EHCg is also measured from the "origin point" of the above diagram (edges of the fork pockets);
- All other combinations of boom extension and load position produce a horizontal center of gravity located somewhere between RHCG and EHCg.

FIG. 4E: LM-EBT centers of gravity and dimensions



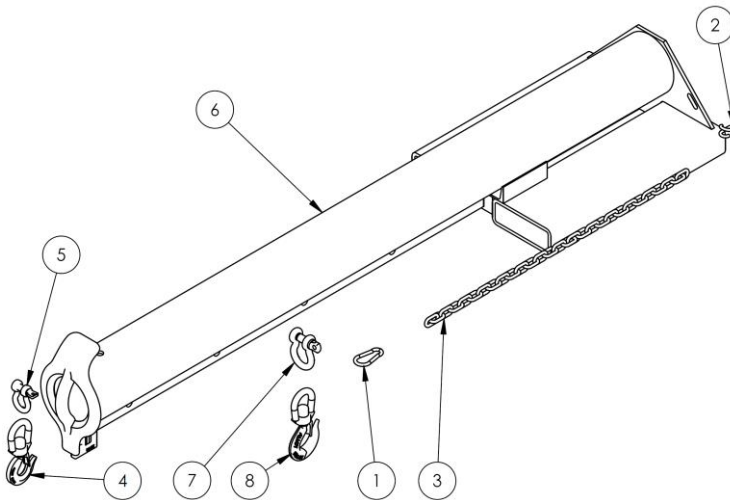
Model	Extended horizontal center of gravity	Retracted horizontal center of gravity	Vertical center of gravity	A	B	C	D	E	F	Net weight
LM-EBT-4-11	58 ¹ / ₁₆ " (147.5 cm)	37 ¹ / ₂ " (95.2 cm)	5 ¹ / ₁₆ " (12.9 cm)	86 ¹ / ₄ -153 ³ / ₄ "	13"	19"	11"	7 ¹ / ₂ "	2 ¹ / ₂ "	335.9 lb.
LM-EBT-4-24	55 ³ / ₁₆ " (140.2 cm)	36 ⁵ / ₁₆ " (92.2 cm)	4 ⁷ / ₁₆ " (11.3 cm)	86 ¹ / ₄ -153 ³ / ₄ "	13"	32"	24"	7 ¹ / ₂ "	2 ¹ / ₂ "	354.0 lb.
LM-EBT-4-30	54 ¹ / ₈ " (137.5 cm)	35 ⁵ / ₁₆ " (89.7 cm)	4 ¹ / ₂ " (11.4 cm)	86 ¹ / ₄ -153 ³ / ₄ "	13"	38"	30"	7 ¹ / ₂ "	2 ¹ / ₂ "	367.0 lb.
LM-EBT-4-36	52 ⁷ / ₈ " (134.3 cm)	34 ² / ₁₆ " (87.8 cm)	4 ¹ / ₂ " (11.4 cm)	86 ¹ / ₄ -153 ³ / ₄ "	13"	44"	36"	7 ¹ / ₂ "	2 ¹ / ₂ "	377.9 lb.
LM-EBT-6-11	54 ³ / ₁₆ " (137.6 cm)	35 ¹¹ / ₁₆ " (90.6 cm)	4 ¹³ / ₁₆ " (12.2 cm)	86 ¹ / ₄ -153 ³ / ₄ "	13"	19"	11"	7 ¹ / ₄ "	2 ¹ / ₄ "	368.7 lb.
LM-EBT-6-24	52 ⁵ / ₁₆ " (132.9 cm)	34 ⁷ / ₁₆ " (87.5 cm)	4 ¹ / ₈ " (10.5 cm)	86 ¹ / ₄ -153 ³ / ₄ "	13"	32"	24"	7 ¹ / ₄ "	2 ¹ / ₄ "	386.8 lb.
LM-EBT-6-30	50 ¹⁵ / ₁₆ " (129.4 cm)	33 ¹³ / ₁₆ " (85.9 cm)	4 ¹ / ₄ " (10.8 cm)	86 ¹ / ₄ -153 ³ / ₄ "	13"	38"	30"	7 ¹ / ₄ "	2 ¹ / ₄ "	403.6 lb.
LM-EBT-6-36	49 ⁷ / ₈ " (126.7 cm)	33 ¹ / ₄ " (84.5 cm)	4 ³ / ₁₆ " (10.6 cm)	86 ¹ / ₄ -153 ³ / ₄ "	13"	44"	36"	7 ¹ / ₄ "	2 ¹ / ₄ "	414.6 lb.
LM-EBT-8-24	57 ¹ / ₈ " (145.1 cm)	38" (96.5 cm)	4 ¹³ / ₁₆ " (12.2 cm)	84 ⁷ / ₈ -149 ³ / ₈ "	11 ¹ / ₂ "	32"	24"	7 ¹ / ₄ "	2 ¹ / ₄ "	606.3 lb.
LM-EBT-8-30	57 ¹ / ₈ " (145.1 cm)	38" (96.5 cm)	4 ¹³ / ₁₆ " (12.2 cm)	84 ⁷ / ₈ -149 ³ / ₈ "	11 ¹ / ₂ "	38"	30"	7 ¹ / ₄ "	2 ¹ / ₄ "	621.2 lb.
LM-EBT-8-36	57 ¹ / ₈ " (145.1 cm)	38" (96.5 cm)	4 ¹³ / ₁₆ " (12.2 cm)	84 ⁷ / ₈ -149 ³ / ₈ "	11 ¹ / ₂ "	44"	36"	7 ¹ / ₄ "	2 ¹ / ₄ "	635.8 lb.

FIG. 4F: LM-EBNT-4k Exploded View & Bill of Materials



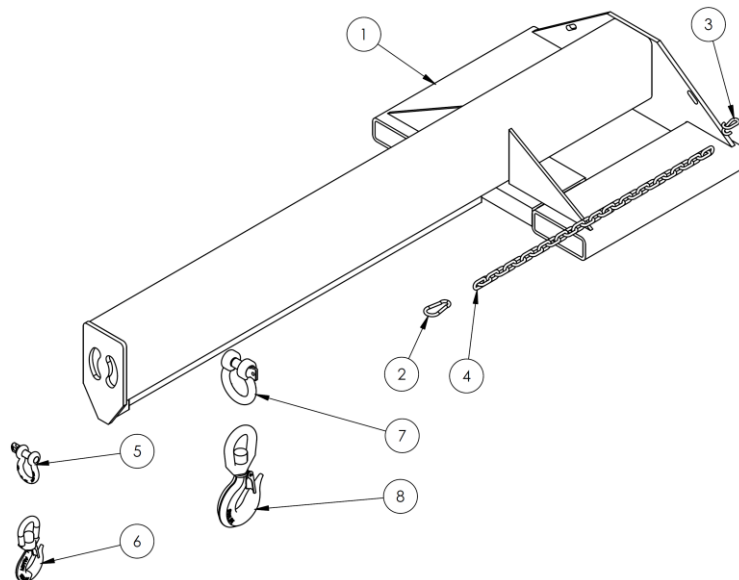
Item	Part No.	Description	Quantity
1	08-514-287	Weldment, frame, boom/base: LM-EBNT-4-11	1
	08-514-003	LM-EBNT-4-24	1
	08-514-288	LM-EBNT-4-30	1
	08-514-289	LM-EBNT-4-36	1
2	08-145-041	5/16" snap hook	1
3	99-145-084	Lap link	1
4	99-145-037	5/16" x 36" chain	1
5	08-145-001	Swivel hook, 2-ton	1
6	08-145-010	1/2" 2-ton shackle	1
7	99-645-019	2-ton hook and shackle	1

FIG. 4G: LM-EBNT-6k Exploded View & Bill of Materials



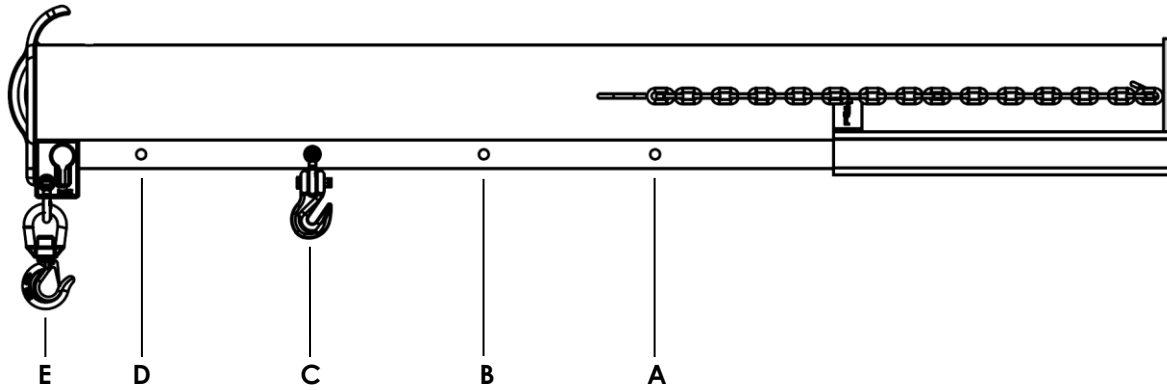
Item	Part No.	Description	Quantity
1	08-145-041	5/16" snap hook	1
2	99-145-084	Lap link	1
3	99-145-037	5/16" x 36" chain	1
4	08-145-001	Swivel hook, 2-ton	1
5	08-145-010	1/2" 2-ton shackle	1
6	08-514-290	Weldment, frame, boom/base: LM-EBNT-6-11	1
	08-514-004	LM-EBNT-6-24	1
	08-514-291	LM-EBNT-6-30	1
	08-514-292	LM-EBNT-6-36	1
7	99-145-019	5/8" 3/4-ton shackle	1
8	08-145-002	Swivel hook, 3-ton	1

FIG. 4H: LM-EBNT-8k Exploded View & Bill of Materials



Item	Part No.	Description	Quantity
1	08-514-191	Weldment, frame, boom/base: LM-EBNT-8-24	1
	08-514-283	LM-EBNT-8-30	1
	08-514-284	LM-EBNT-8-36	1
2	08-145-041	5/16" snap hook	1
3	99-145-084	Lap link	1
4	99-145-037	5/16" x 36" chain	1
5	99-145-019	5/8" 3/4-ton shackle	1
6	08-145-002	Swivel hook, 3-ton	1
7	08-145-006	7/8" 6 1/2-ton shackle	1
8	08-145-005	Swivel hook, 5-ton	1

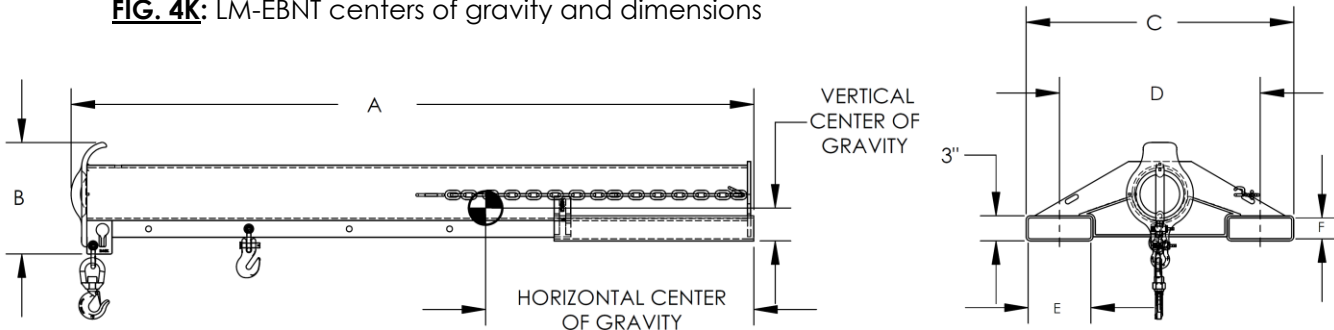
FIG. 4J: LM-EBNT- 4k, 6k & 8k Centers of Gravity and Maximum Load Ratings for Varying Load Attachment Points



Hook position	A	B	C	D	E
Distance from end of boom in inches (cm)	36" 91 cm	48" 122 cm	60" 152 cm	72" 183 cm	79" 200 cm
Maximum rated load of a load suspended from a single hook located at the corresponding "Hook position".					
LM-EBNT-4k	4000 lb. 1820 kg	3750 lb. 1705 kg	3500 lb. 1590 kg	3250 lb. 1477 kg	3000 lb. 1364 kg
LM-EBNT-6k	6000 lb. 2727 kg	5000 lb. 2045 kg	4500 lb. 1727 kg	4000 lb. 1363 kg	3500 lb. 1591 kg
LM-EBNT-8k	8000 lb. 3636 kg	6650 lb. 3023 kg	6000 lb. 2727 kg	5300 lb. 2409 kg	4850 lb. 2205 kg

Center of gravity has both a horizontal component and a vertical component. The *vertical* center of gravity (VCG) lies along a line 15 inches (~38 cm) from the bottom edges of the fork pockets. Similarly, the *horizontal* center of gravity (HCG) is located 35-7/8 inches (~91 cm) from the outer edges of the fork pockets.

FIG. 4K: LM-EBNT centers of gravity and dimensions



Model	Horizontal center of gravity	Vertical center of gravity	A	B	C	D	E	F	Net weight
LM-EBNT-4-11	32 ¹ / ₁₆ " (81.4 cm)	3 ¹⁵ / ₁₆ " (10.0 cm)	81 ³ / ₄ "	13 ⁵ / ₁₆ "	19"	11"	7 ¹ / ₂ "	2 ¹ / ₂ "	239.6 lb.
LM-EBNT-4-24	28 ¹¹ / ₁₆ " (72.9 cm)	3 ¹⁵ / ₁₆ " (10.0 cm)	81 ⁵ / ₈ "	13 ⁵ / ₁₆ "	32"	24"	7 ¹ / ₂ "	2 ¹ / ₂ "	257.7 lb.
LM-EBNT-4-30	32 ¹ / ₁₆ " (81.4 cm)	3 ¹⁵ / ₁₆ " (10.0 cm)	81 ³ / ₄ "	13 ⁵ / ₁₆ "	38"	30"	7 ¹ / ₂ "	2 ¹ / ₂ "	270.7 lb.
LM-EBNT-4-36	32 ¹ / ₁₆ " (81.4 cm)	3 ¹⁵ / ₁₆ " (10.0 cm)	81 ³ / ₄ "	13 ⁵ / ₁₆ "	44"	36"	7 ¹ / ₂ "	2 ¹ / ₂ "	281.7 lb.
LM-EBNT-6-11	30 ¹ / ₈ " (76.5 cm)	3 ⁵ / ₈ " (9.2 cm)	81 ³ / ₄ "	13 ⁵ / ₁₆ "	19"	11"	7 ¹ / ₄ "	2 ¹ / ₄ "	276.1 lb.
LM-EBNT-6-24	30 ¹ / ₈ " (76.5 cm)	3 ⁵ / ₈ " (9.2 cm)	81 ⁵ / ₈ "	13 ⁵ / ₁₆ "	32"	24"	7 ¹ / ₄ "	2 ¹ / ₄ "	294.1 lb.
LM-EBNT-6-30	30 ¹ / ₈ " (76.5 cm)	3 ⁵ / ₈ " (9.2 cm)	81 ³ / ₄ "	13 ⁵ / ₁₆ "	38"	30"	7 ¹ / ₄ "	2 ¹ / ₄ "	307.1 lb.
LM-EBNT-6-36	30 ¹ / ₈ " (76.5 cm)	3 ⁵ / ₈ " (9.2 cm)	81 ³ / ₄ "	13 ⁵ / ₁₆ "	44"	36"	7 ¹ / ₄ "	2 ¹ / ₄ "	318.1 lb.
LM-EBNT-8-24	32 ⁵ / ₁₆ " (82.1 cm)	4 ¹ / ₁₆ " (10.3 cm)	80 ³ / ₈ "	11 ¹ / ₂ "	32"	24"	7 ¹ / ₄ "	2 ¹ / ₄ "	429.4 lb.
LM-EBNT-8-30	32 ⁵ / ₁₆ " (82.1 cm)	4 ¹ / ₁₆ " (10.3 cm)	80 ³ / ₈ "	11 ¹ / ₂ "	38"	30"	7 ¹ / ₄ "	2 ¹ / ₄ "	444.3 lb.
LM-EBNT-8-36	32 ⁵ / ₁₆ " (82.1 cm)	4 ¹ / ₁₆ " (10.3 cm)	80 ³ / ₈ "	11 ¹ / ₂ "	44"	36"	7 ¹ / ₄ "	2 ¹ / ₄ "	458.9 lb.

LOADING AND USING THE BOOM

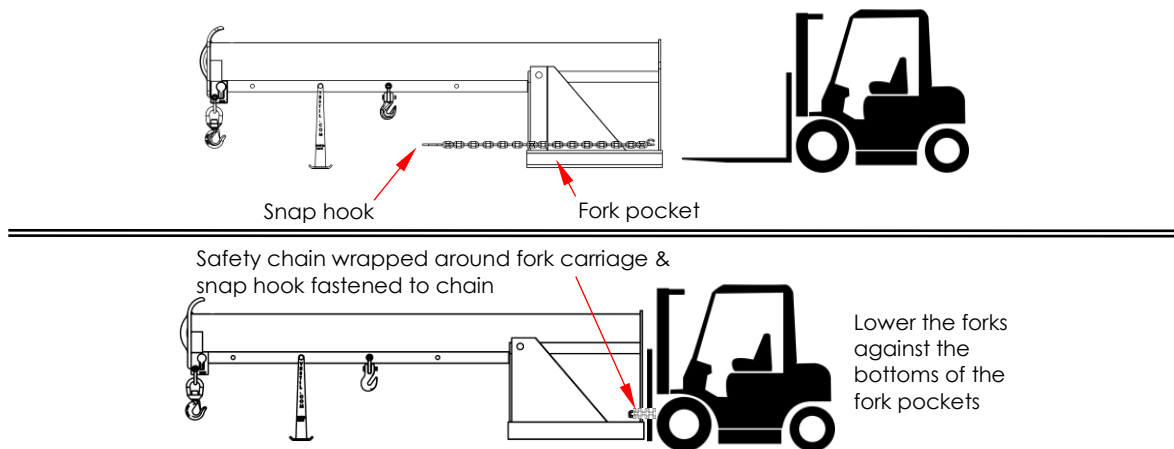
Review the [SAFETY INSTRUCTIONS](#) on p. 2 and the following additional safety instructions.

⚠️WARNING

Improper use of this product might result in serious personal injuries.

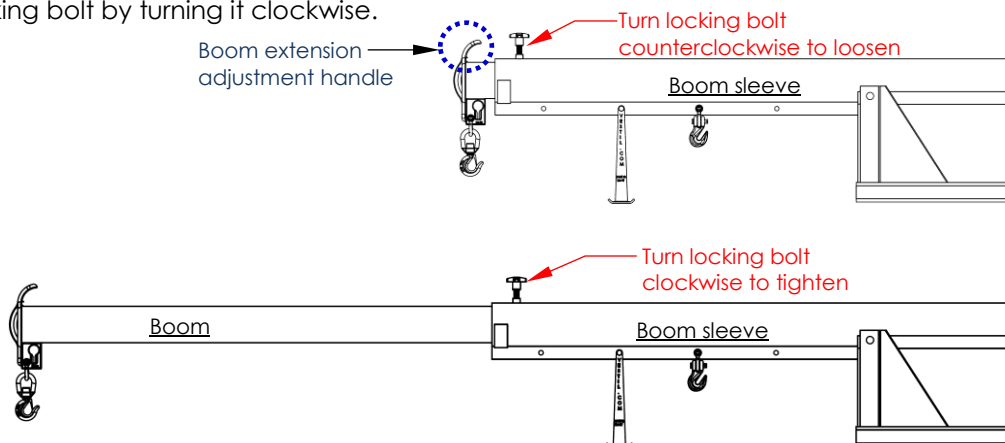
- DO NOT use this boom with rough terrain lift trucks or telehandlers (boom trucks). ONLY use it with high lift fork trucks utilizing a vertical mast and carriage.
- DO NOT mount the hopper on stackers or manually propelled lift trucks.
- DO NOT operate the truck carrying this boom on unimproved surfaces. Only operate on concrete or asphalt surfaces.
- DO NOT attempt to lift loads weighing more than the capacity of the boom or your forklift, **whichever is smaller**. Confirm that the load weighs less than the maximum rated load of your boom at the intended attachment point. See [CENTERS OF GRAVITY AND LOAD RATINGS](#) on p. 5 see also [LABELING DIAGRAM](#) on p. 11. Confirm that your fork lift is rated to lift the combined weight of the boom, rigging, and the load.
- Contact the manufacturer of your fork lift BEFORE using the boom and request:
 1. Written approval to use the boom with your lift truck; AND
 2. Markings (labels) for the lift truck that: a) Identify your LM-boom; AND b) Provide the approximate net weight of the forklift truck and boom at the maximum fork elevation with a laterally-centered load. See 29 CFR 1910.178(a)(5).
- DO NOT connect a load to only 1 hook, which will cause the load to rotate during lifting and transport operations. Loads must be connected to both hooks.

1. Drive the forklift forward and insert the tines into the fork pockets. Drive as far forward as possible. Lower the forks completely. The drawings below demonstrate this step:

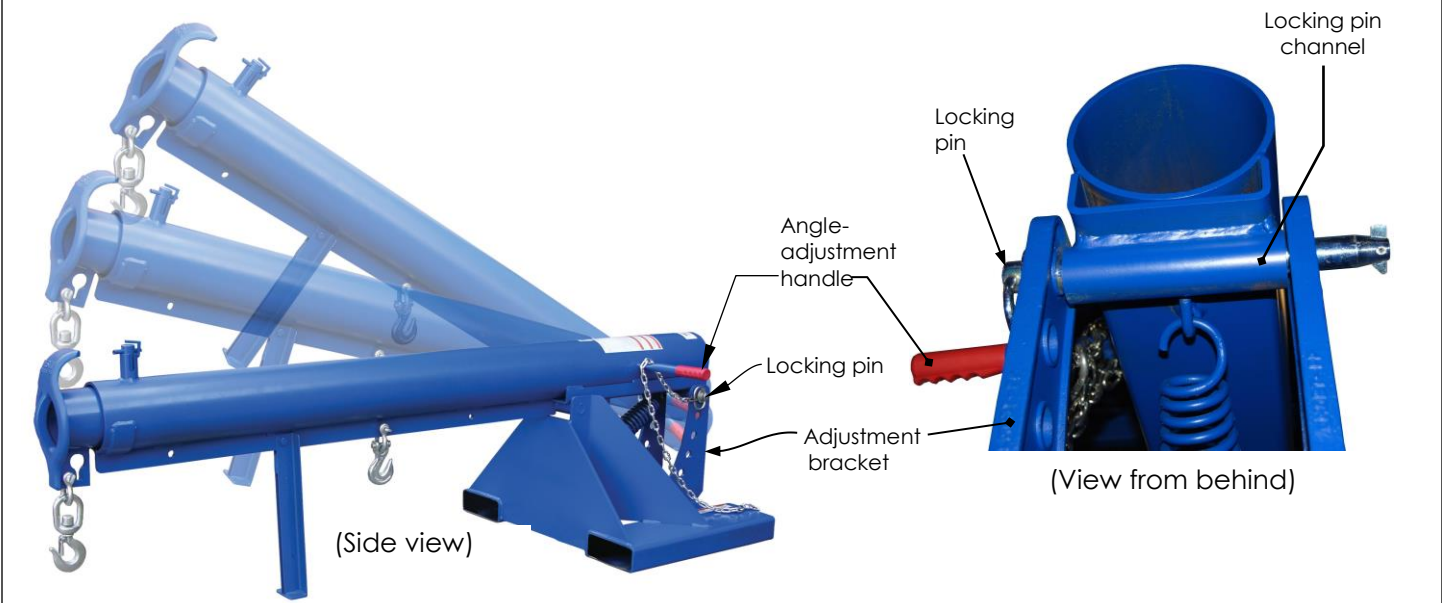


2. Securely connect the boom to the carriage of the forklift with the safety chain. Wrap the safety chain around the fork carriage and fasten the snap hook to the chain/strap. There should be no slack in the chain/strap. The sole purpose of the safety chain is to prevent the boom from sliding off of the forks. It is NOT intended or designed to bear the full load rating.

3. **[Telescoping models only]** Adjust the boom length:
 - a. Loosen the X-handle locking bolt ("locking bolt"), by turning it counterclockwise.
 - b. Grasp the adjustment handle at the end of the boom and pull the boom to the desired length.
 - c. Tighten the locking bolt by turning it clockwise.



4. **[OBT models only]** Adjust the boom angle, if necessary, to accommodate the load. To safely perform the adjustment process requires *at least 2 people*:
- d. Person 1 grasps the (red) angle adjustment handle with one hand
 - e. While Person 2 pulls out the locking pin; then
 - f. Both 1 & 2 press down on the adjustment handle until the desired angle is achieved.
 - g. One of the participants reinserts the locking pin.

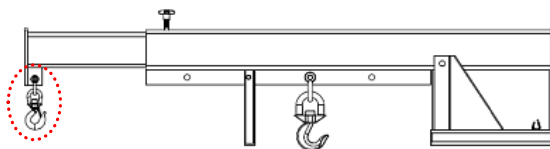


WARNING

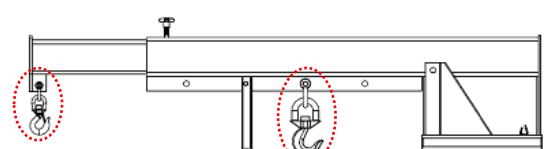
Material handling is dangerous. Improper use of this product might result in serious personal injuries.

- Confirm that the load weighs less than the maximum rated load of your boom AND that your fork lift is rated to lift the combined weight of the boom and the load.
- Contact the manufacturer of your fork lift BEFORE using the boom. Request that the lift manufacturer provide:
 - 1. Written approval to use the boom with your lift truck; AND
 - 2. Markings (labels) for the lift truck that:
 - Identify your LM-boom; AND
 - Provide the approximate net weight of the forklift truck and boom at the maximum fork elevation with a laterally-centered load. [29 CFR 1910.178(a)(5)].
- DO NOT use the boom until the forklift manufacturer provides adjusted maximum rated load tags for your fork lift.
- DO NOT attempt to lift loads weighing more than the rated load of either the boom or lift truck, **whichever is smaller**. Maximum rated load information appears in the tables on pages 4, 6, 8, 10, 12, 14, 16, & 18.
- Strictly adhere to all rules applied at your worksite regarding forklift operation, fork attachment usage, and load rigging.
- ONLY use rigging having maximum load ratings that exceed the load weight.
- DO NOT connect a load to only 1 hook, which will cause the load to rotate during lifting and transport operations. Loads should connect to both hooks simultaneously.

Load attached to only one hook (circled): load likely to rotate



Load attached to both hooks: load rotation minimized

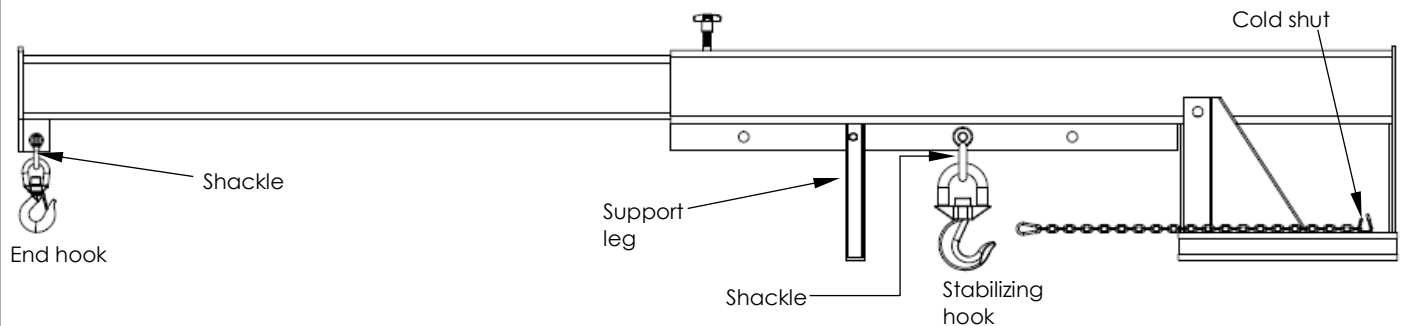


Test the stability of the load in the rigging. Raise the forks slowly to minimize load movement. Raise the forks until the load is entirely suspended from the boom. Watch the load and boom closely for either of the following issues: 1) Load movement in rigging; or 2) Boom sliding towards tips of forks. If you notice either issue, immediately lower the forks and adjust the rigging. Retest the stability of the load in the rigging

- While transporting a load with the boom, the load should only be 6-8 inches above the ground. Adjust load height to avoid obstacles along the travel path.
- DO NOT exceed approximately 1.5mph (2.4kph) while transporting a load with the boom.
- Travel ONLY on smooth, level surfaces. Turn slowly and smoothly.
- If the load is unstable while suspended, DO NOT use the boom.

4. Attach the load to the boom by connecting the load to appropriate rigging. Attach the rigging to the end hook or to both the end hook and the stabilizing hook (see diagram below).
 - a. Verify that the load attachment is stable;
 - b. Raise the load until it is elevated no more than 6-8 inches above the ground (entirely suspended from the boom).
 - c. Slowly transport the load to the desired unloading location;
 - d. Slowly lower the load until it is entirely supported by the ground and there is slack in all rigging.
 - e. Disconnect the rigging from the hooks;
 - f. Adjust the fork position until no more than 6-8 inches above the ground;
 - g. Return the boom to its storage location.

NOTE: Return OBT and OBNT model booms to the fully lowered (horizontal) position by reversing [Step 4](#) on p. 20 BEFORE backing out of the fork pockets.



RECORD OF SATISFACTORY CONDITION

Record the condition of the lifting boom before putting it into service. Measure the length and width of the shackle of both hooks. Include a width measurement of the mouth of the shackle, i.e. the area that receives the shackle pin. Record your measurements. Measure the mouth of both hooks and record the measurements. Thoroughly photograph the unit from multiple angles. Include close range photos of all labeling, the shackles and shackle pins, the fork pockets/tubes, safety chain and its snap hook and cold shut, support leg, and welds. Collate all photographs and writings into a single file. Mark the file appropriately to identify it. The file provides a record of the device in satisfactory condition. Compare the results of all [INSPECTIONS](#) (p. 22) to this *RECORD* to determine whether the unit is in satisfactory condition. If the boom is not in satisfactory condition, repair it before returning it to service. Purely cosmetic changes, like damaged paint/powdercoat, do not constitute changes from satisfactory condition. However, touchup paint should be applied to all affected areas as soon as cosmetic damage occurs to prevent rusting and corrosion. If left unaddressed, rusting/corrosion will alter the device from satisfactory condition and could make it unsafe to use.

LOAD TESTS

After creating a [RECORD OF SATISFACTORY CONDITION](#) and before using the boom for the first time, a qualified person should conduct a load test. The test load should be 125% of the rated load (capacity) of the lifter. For instance, if the rated load (capacity) is 1,000 lb. (454.5kg) the test load should be 1,250 pounds (568.2kg). Raise the load off of the ground until it is entirely suspended from the boom. Leave the load suspended for a few minutes. Return it to the ground and unload it. Perform a *Monthly Inspection* as described in the [INSPECTIONS](#) section (p. 22). The boom should undergo load testing immediately after it is repaired, modified, or altered. Never modify or alter the boom without first receiving written approval from Vestil.

NOTE: If your boom is used with a lift truck whose capacity is less than 125% of the rated load of your boom PLUS the weight of the boom, then load testing as described above should not be performed. Instead, the boom must be rerated (capacity reduced) and be tested with an appropriate load weight for your lift truck. The boom must also be relabeled to reflect the rerated capacity. Mark/label the truck to identify the boom, show

the weight of the truck and boom combination, and show the capacity of the truck with the boom at maximum elevation with the load laterally centered. Use the [LOAD TEST RECORD](#) page at the end of this manual to record the weight used to load test your boom based on the rated capacity.

INSPECTIONS

Inspections and repairs should only be performed by qualified persons. Compare the results of each inspection to the [RECORD OF SATISFACTORY CONDITION](#) (the "RECORD"). Do not use the boom unless all parts are in satisfactory condition. Replace parts that are not in satisfactory condition before using the boom again. **DON'T GUESS! If you have any questions about the condition of your boom, contact the [TECHNICAL SERVICE](#) department.** The phone number is provided on the cover page of this manual. *Never make temporary repairs of damaged or missing parts.* Only use manufacturer-approved replacement parts. Replace the entire unit if it cannot be restored to satisfactory condition.

WARNING

Immobilize the boom before conducting inspections and performing maintenance. **If an inspection reveals problems, restore the boom to satisfactory condition BEFORE using it again.** DO NOT use a boom that is structurally damaged in any way. Structural damage includes, but is not limited to, cracked welds, warping or deformation of the fork pockets, support leg, frame members, boom, or boom sleeve.

- Before each use** — Visually examine the boom for cracks, severe rusting/corrosion, damaged hooks and/or shackles, and damaged support leg.
- Monthly inspection** — At least once per month, and before using the boom for the first time, inspect the following components for conditions that might interfere with normal operation.
 - Frame and fork pockets** — Fork pockets should be square and solid. Each pocket should be rigidly welded to the frame. Look for significant wear, damage, or indications of metal fatigue to any portion of the fork pockets, support frame, boom, or boom sleeve.
 - Boom** — Check all welds. The boom should be straight and undamaged, i.e. no cracks, punctures, warps, etc. Telescoping models should slide without binding inside the receiver/sleeve.
 - Safety chain** — All links of the chain should be intact and of equal dimensions. Chains should be securely attached to the frame by means of a lap link. The snap hook at the end of the chain should close completely and automatically.
 - Hooks and shackles** — Examine the end hook & the stabilizing hook. Record a measurement of the throat opening of each hook. Compare the measurements with those taken during the very first inspection. Replace a hook if its throat opening is more than 15 percent wider than the original throat opening measurement, or if the hook is twisted more than 10° from the plane of the unbent hook. Discard damaged hooks. The latch of the end hook should close automatically. Shackles should be securely attached to the underside of the boom. Examine all pins that attach shackles to the boom for cracks and warps.
 - Locking bolt (telescoping models)** — Confirm the locking bolt can solidly engage the top of the boom.
 - Support leg** — Inspect the support leg. It should be straight, undamaged (no cracks or deformations), and securely attached to the underside of the boom.
 - Labeling** — The product should always be labeled as shown in the [LABELING DIAGRAM](#) on p. 23. Replace any label that is damaged, significantly faded, or not easily readable from a reasonable distance.
- Annual Lift Test** — At least once per year, perform a [LOAD TEST](#) (p. 21) of the boom. Afterwards, conduct a [MONTHLY INSPECTION](#). Confirm [SATISFACTORY CONDITION](#) before returning it to service.

MAINTENANCE

Implement a maintenance program to ensure that the boom remains in normal operating condition. The following steps should be utilized in conjunction with maintenance procedures applicable to fork truck attachments provided in the most recent edition of ANSI B56.1.

Step 1: Tag the boom, "Out of Service."

Step 2: Remove dirt and other matter from all surfaces.

Step 3: Conduct a Monthly inspection. If severe deformities, corrosion, rusting, or excessive wear of structural members is found, DO NOT use the product.

Step 4: Perform all necessary adjustments, replacements and/or repairs but DO NOT modify the boom.

WARNING

DO NOT return the boom to service until all necessary adjustments and repairs are complete! An adjustment is a simple correction that restores the boom to [SATISFACTORY CONDITION](#), such as tightening loose fasteners or removing debris from surfaces. Repair means removal of worn parts and installation of replacement parts. **NEVER** modify (alter) the boom, e.g. bend a structural member or remove a part or parts.

Step 5: Make a dated record of all repairs, adjustments, and replacements performed.

LABELING DIAGRAM

The unit should be labeled as shown in the diagram. However, label content and location are subject to change so your product might not be labeled exactly as shown. Compare this diagram to your RECORD OF SATISFACTORY CONDITION. Replace all labels that are damaged, missing, or not easily readable (e.g. faded). Order replacement labels by contacting the PARTS DEPARTMENT online at <https://www.vestil.com/page-parts-request.php>. Alternatively, you may request replacement parts and/or service by calling (260) 665-7586 and asking the operator to connect you to the PARTS DEPARTMENT.

A: One of labels 928-935 as indicated in the table (on either fork pocket)



A, B, C, and D

WARNING

Material handling is inherently dangerous; improper use of this product might result in serious personal injuries sustained by the operator and/or bystanders. To reduce the risks:

- DO NOT use if safety chain/strap is damaged or absent.
- Law requires you to contact manufacturer of your (fork) lift truck BEFORE using boom to request:
 - Written approval to use boom with lift truck [29 CFR 1910.178(a)(4)];
 - Markings (labels) for lift truck that:
 - Identify this fork-mounted boom; AND
 - Give approximate net weight of truck and boom at maximum fork elevation with laterally-centered load. [29 CFR 1910.178(a)(5)]
- DO NOT use boom UNTIL lift truck manufacturer provides corrected maximum rated load tags for your lift truck.
- DO NOT attempt to lift more than the rated load of the boom or lift truck, whichever is smaller. The table below shows the maximum rated load of the BOOM ONLY; you MUST compare the appropriate table entry with the corrected max. rated load label provided by the fork truck manufacturer.

ADVERTENCIA

La manipulación de materiales es inherentemente peligrosa; uso impropio de este producto podría resultar en daños personales serios al operador y/o a los espectadores. Para reducir los riesgos:

- NO use si la cadena/correa de seguridad está dañada o ausente.
- La ley requiere que se ponga en contacto con el fabricante de su (horquilla) camioneta elevadora ANTES de usar el auge para pedir:
 - Aprobación por escrito para el uso del auge con la camioneta elevadora [29 CFR 1910.178(a)(4)];
 - Marcas (etiquetas) para la camioneta elevadora que:
 - Identifiquen este auge de la horquilla montada; Y
 - Dan peso neto aproximado del camión y el auge a una elevación de la horquilla máxima con la carga lateralmente centrada. [29 CFR 1910.178(a)(5)]
- NO use el auge HASTA que el fabricante de la camioneta elevadora le haya proveído con las etiquetas de la correcta carga máxima tasada para su camioneta elevadora.
- NO intente elevar más de la carga tasada del auge o camioneta elevadora, lo que sea menor. La tabla a continuación del ensaña la máxima carga tasada para EL AUGUE SOLO. DEBE comparar la tabla con la correcta carga máxima tasada de la etiqueta que el fabricante le ha proveído.

HOOK POSITION (Posición del gancho)	A	B	C	D	E	F	G	H	I	J	K	L	M
Distance from outer edge of fork pockets in inches (mm) (Distancia desde las aristas exteriores de los bolsillos de las horquillas en pulgadas (mm))	36 (-91)	48 (-122)	60 (-152)	72 (-183)	84 (-213)	91.5 (-232)	99 (-251)	106.5 (-271)	114 (-290)	121.5 (-309)	129 (-328)	136.5 (-347)	144 (-366)
Maximum rated load in pounds (kg) of a load suspended from a single hook located at the corresponding "hook position". (Máxima carga tasada en pounds (kg) de la carga suspendida desde un solo gancho localizado a la correspondiente posición del gancho.)	4000 (-1800)	3750 (-1705)	3500 (-1590)	3250 (-1477)	3000 (-1363)	2845 (-1290)	2690 (-1223)	2400 (-1114)	2275 (-1030)	2220 (-1010)	2060 (-936)	1945 (-884)	1750 (-795)
LM-OBT-4k	6000 (-2727)	5000 (-2272)	4500 (-2045)	4000 (-1820)	3500 (-1591)	3100 (-1410)	2800 (-1273)	2665 (-1211)	2400 (-1080)	2280 (-1030)	2130 (-968)	2000 (-909)	1800 (-818)
LM-OBT-6k	8000 (-3636)	6500 (-3022)	6000 (-2727)	5300 (-2409)	4650 (-2113)	4000 (-1820)	3600 (-1620)	3000 (-1363)	2800 (-1273)	2640 (-1198)	2480 (-1123)	2320 (-1048)	2000 (-909)

Label #	Model	Label #	Model
928	LM-OBT	932	LM-HRT
929	LM-OBNT	933	LM-EBNT
930	LM-IT	934	LM-HRNT
931	LM-EBT	935	LM-INT

B: Label 1153 (on either fork pocket)

MODEL / MODÉLO / MODÈLE _____
 WEIGHT / PESO / MASS _____
 CAPACITY / CAPACIDAD / CAPACITÉ _____
 SERIAL / SERIE / SÉRIE _____
 UNITS: 2.2 lb. = 1kg 1" (or 1in.) = 2.54cm **1153**

C: Label 218 (on either fork pocket)

WARNING	ADVERTENCIAS
<p>Improper use might result in death or serious personal injury. Attach device to fork carriage with safety chain/strap.</p> <ul style="list-style-type: none"> Drive lift truck forward until forks contact ends of fork pockets. Chain/straps must not be able to disconnect (slide free) from carriage. Safety chain/strap must be taut. Connect chain/strap to carriage via shortest line. 	<p>El uso impropio puede resultar en muerte o heridas personales. Atar aparato al mástil del montacargas con cadenas/correas.</p> <ul style="list-style-type: none"> Maneje el montacargas para adelante hasta que las cuñas hagan contacto con la orilla del bolsillo de las cuñas. La cadenas y correas no deben de deslizarse (soltarse) del mástil del montacargas. La cadena/correa de seguridad debe de estar apretado. Asegure la cadena/correa al mástil via la ruta mas corta.

D: Label 1210 (on either fork pocket)

WARNING

Using this front end attachment exposes occupants & bystanders to risks of serious personal injuries or death.

- DO NOT use this front end attachment with rough terrain lift trucks or telehandlers (boom lifts). ONLY use this attachment with high lift fork trucks utilizing a vertical mast and carriage.
- DO NOT operate truck with attachment on unimproved surfaces. ONLY operate the truck with the attachment on concrete or asphalt surfaces capable of supporting the truck and a full capacity load.

LOAD TEST RECORD

Document each load test performed on your boom.

Date of load test: _____

Boom serial no. _____

Boom weight: _____

Lift truck identification: _____

Lift truck capacity: _____

Test load weight: _____

*Description of test methodology: _____

*Use additional pages as necessary.

LIMITED WARRANTY

Vestil Manufacturing Company ("Vestil") warrants this product to be free of defects in material and workmanship during the warranty period. Our warranty obligation is to provide a replacement for a defective, original part covered by the warranty after we receive a proper request from the Warrantee (you) for warranty service.

Who may request service?

Only a warrantee may request service. You are a warrantee if you purchased the product from Vestil or from an authorized distributor AND Vestil has been fully paid.

Definition of "original part"?

An original part is a part used to make the product as shipped to the Warrantee.

What is a "proper request"?

A request for warranty service is proper if Vestil receives: 1) a photocopy of the Customer Invoice that displays the shipping date; AND 2) a written request for warranty service including your name and phone number. Send requests by one of the following methods:

<u>US Mail</u>	<u>Fax</u>	<u>Email</u>
Vestil Manufacturing Company 2999 North Wayne Street, PO Box 507 Angola, IN 46703	(260) 665-1339 <u>Phone</u> (260) 665-7586	info@vestil.com Enter "Warranty service request" in subject field.

In the written request, list the parts believed to be defective and include the address where replacements should be delivered. After Vestil receives your request for warranty service, an authorized representative will contact you to determine whether your claim is covered by the warranty. Before providing warranty service, Vestil will require you to send the entire product, or just the defective part (or parts), to its facility in Angola, IN.

What is covered under the warranty?

The warranty covers defects in the following original, dynamic parts: motors, hydraulic pumps, motor controllers, and cylinders. It also covers defects in original parts that wear under normal usage conditions ("wearing parts"), such as bearings, hoses, wheels, seals, brushes, and batteries.

How long is the warranty period?

The warranty period for original dynamic components is 1 year. For wearing parts, the warranty period is 90 days. Both warranty periods begin on the date Vestil ships the product to the Warrantee. If the product was purchased from an authorized distributor, the periods begin when the distributor ships the product. Vestil may, at its sole discretion, extend a warranty period for products shipped from authorized distributors by up to 30 days to account for shipping time.

If a defective part is covered by the warranty, what will Vestil do to correct the problem?

Vestil will provide an appropriate replacement for any covered part. An authorized representative of Vestil will contact you to discuss your claim.

What is not covered by the warranty?

The Warrantee (you) is responsible for paying labor costs and freight costs to return the product to Vestil for warranty service.

Events that automatically void this Limited Warranty.

- Misuse;
- Negligent assembly, installation, operation or repair;
- Installation/use in corrosive environments;
- Inadequate or improper maintenance;
- Damage sustained during shipping;
- Collisions or other accidents that damage the product;
- Unauthorized modifications: Do not modify the product IN ANY WAY without first receiving written authorization from Vestil.

Do any other warranties apply to the product?

Vestil Manufacturing Co. makes no other express warranties. All implied warranties are disclaimed to the extent allowed by law. Any implied warranty not disclaimed is limited in scope to the terms of this Limited Warranty. Vestil makes no warranty or representation that this product complies with any state or local design, performance, or safety code or standard. Noncompliance with any such code or standard is not a defect in material or workmanship.



LOAD TEST RECORD

Document each load test performed on your boom.

Date of load test: _____ Boom serial no. _____ Boom weight: _____ Lift truck identification: _____ Lift truck capacity: _____ Test load weight: _____	Date of load test: _____ Boom serial no. _____ Boom weight: _____ Lift truck identification: _____ Lift truck capacity: _____ Test load weight: _____
Date of load test: _____ Boom serial no. _____ Boom weight: _____ Lift truck identification: _____ Lift truck capacity: _____ Test load weight: _____	Date of load test: _____ Boom serial no. _____ Boom weight: _____ Lift truck identification: _____ Lift truck capacity: _____ Test load weight: _____
Date of load test: _____ Boom serial no. _____ Boom weight: _____ Lift truck identification: _____ Lift truck capacity: _____ Test load weight: _____	Date of load test: _____ Boom serial no. _____ Boom weight: _____ Lift truck identification: _____ Lift truck capacity: _____ Test load weight: _____
Date of load test: _____ Boom serial no. _____ Boom weight: _____ Lift truck identification: _____ Lift truck capacity: _____ Test load weight: _____	Date of load test: _____ Boom serial no. _____ Boom weight: _____ Lift truck identification: _____ Lift truck capacity: _____ Test load weight: _____