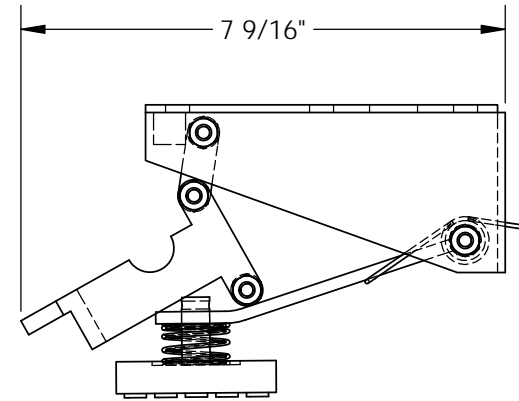
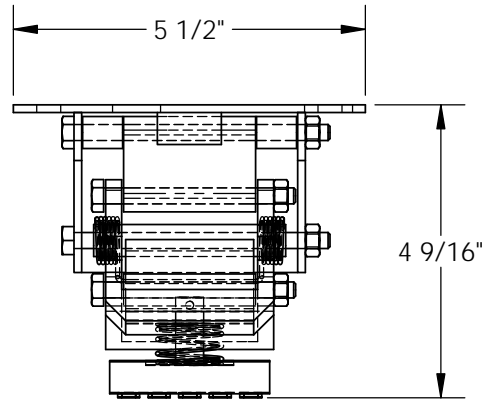
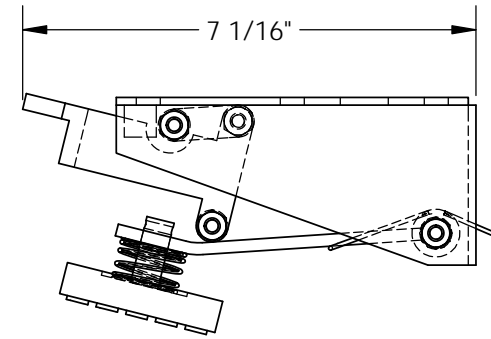
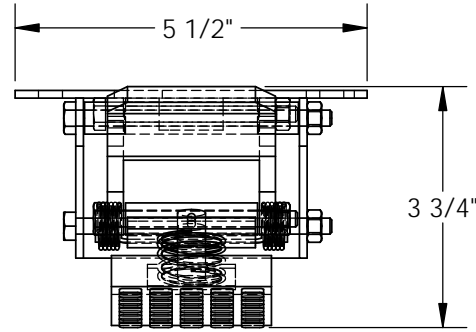
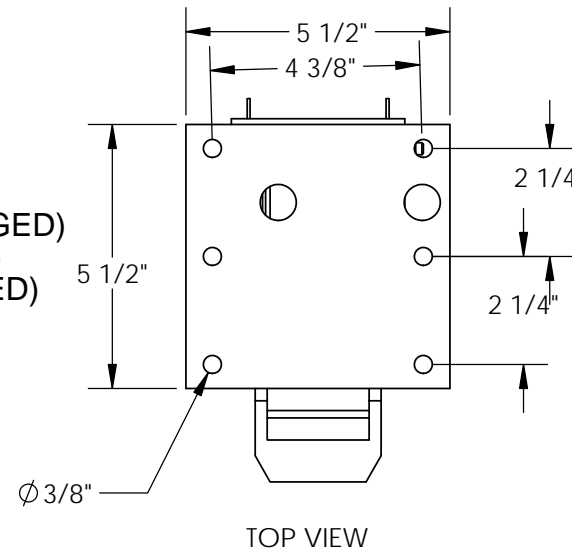


LOW PROFILE FLOOR LOCK - FL-LK-LP

*** ANY ADDITIONS, DELETIONS, OR OMISSIONS MUST BE CORRECTED ON THIS DRAWING AS THIS DRAWING WILL BE CONSIDERED ALL INCLUSIVE ***
 ALL GRAPHICS PROVIDED ARE FOR REFERENCE ONLY. IF CERTAIN DIMENSIONS ARE CRITICAL PLEASE VERIFY THOSE DIMENSIONS WITH YOUR SALESPERSON



DIMENSION TOLERANCE ± 1/2"



TOP VIEW

STANDARD FEATURES

- MODEL NUMBER IS FL-LK-LP
- OVERALL WIDTH IS 5 1/2"
- OVERALL LENGTH IS 7 1/16" (DIS-ENGAGED)
- OVERALL LENGTH IS 7 9/16" (ENGAGED)
- OVERALL HEIGHT IS 3 3/4" (DIS-ENGAGED)
- OVERALL HEIGHT IS 4 9/16" (ENGAGED)
- APPROX SHIP WEIGHT IS 5 LBS

SPECIAL FEATURES

NONE

A P P R O V A L	I, THE UNDERSIGNED, AGREE THAT THE PRODUCT AS REPRESENTED SATISFIES DESIGN AND DIMENSION REQUIREMENTS. I ALSO ACKNOWLEDGE MY DUTY TO CONFIRM PRODUCT AND INSTALLATION COMPLIANCE WITH ALL APPLICABLE FEDERAL, STATE AND LOCAL REGULATIONS AND STANDARDS.	
	ALL SPECIAL UNITS ARE NON-RETURNABLE <input type="checkbox"/> As drawn <input type="checkbox"/> As marked	
Signed: _____		Date: _____
LEAD TIME WILL START UPON RECEIPT OF SIGNED APPROVAL DRAWING		

DISTRIBUTOR'S NAME: VESTIL MANUFACTURING		P.O.# X
DRAWN BY: MSC		DATE: 04/05/07
REFERENCE: X		SALES: X
QUOTED LEAD TIME: X		SCALE: 1:3
QUOTE # X		FILE NAME: 16-007-409